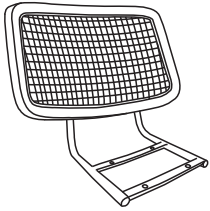


ASSEMBLING INSTRUCTION

Ax1



Ex2

M6x14



Bx1

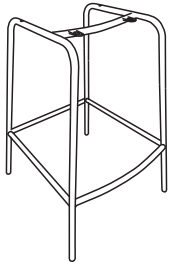


Fx4

M6x18



Cx1



Jx2

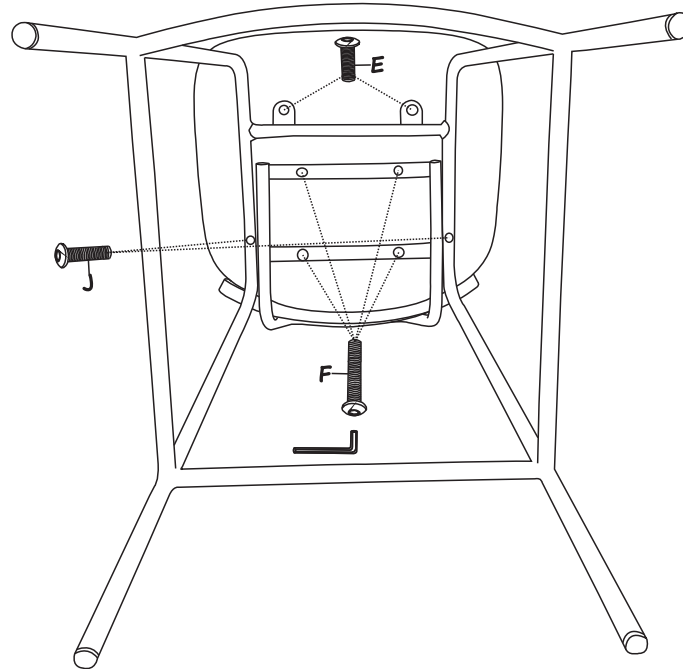
M6x27



Dx1



1



2

