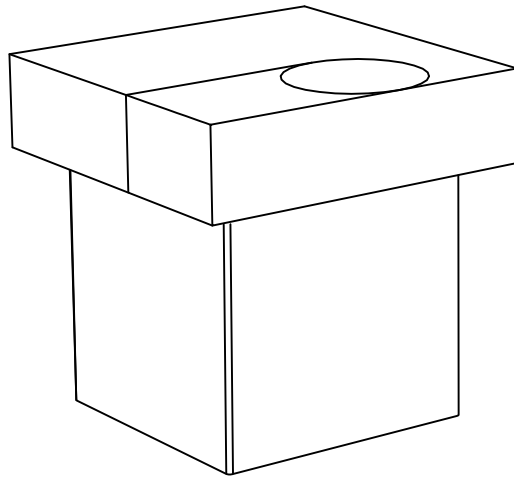




Instruction Manual
Atmos Side Table



A.



M8*25

X2

B.



X2

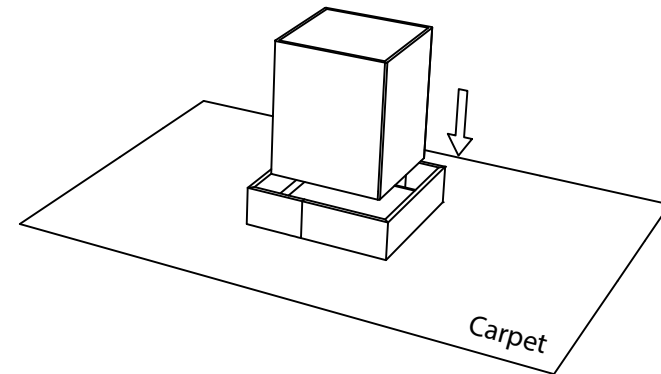
C.



M8 Key

X1

① : First, place the marble countertop upside down on the carpet to prevent scratches, and then place the acrylic base on top.



② : Lock the base according to the diagram , complete the installation

