


cult

Thank you for your order

Get ready to assemble with ease + elevate your space with our easy to follow assembly instructions.

Should you require any additional help with your build, please contact our friendly + knowledgeable customer service team.

 +44 (0) 208 185 6960

 info@cultfurniture.com

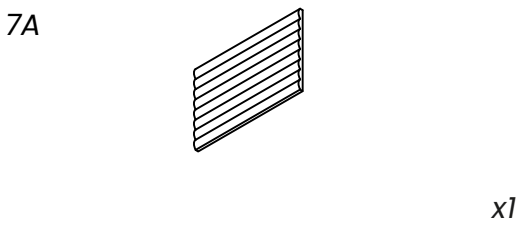
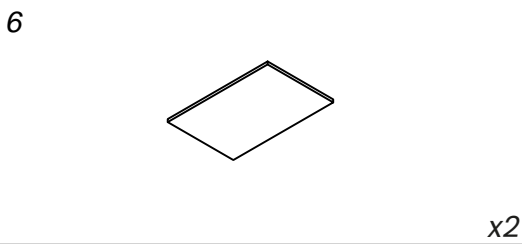
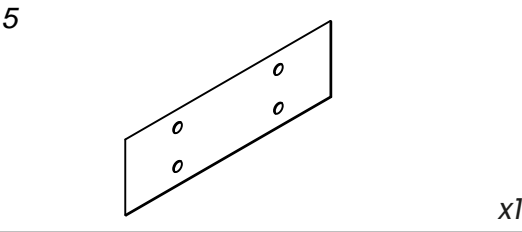
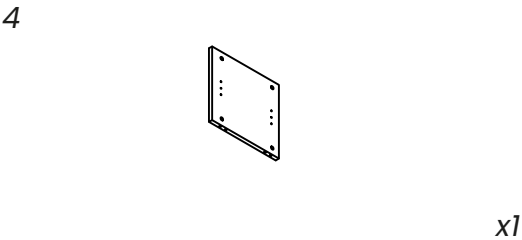
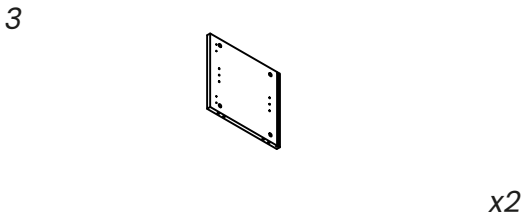
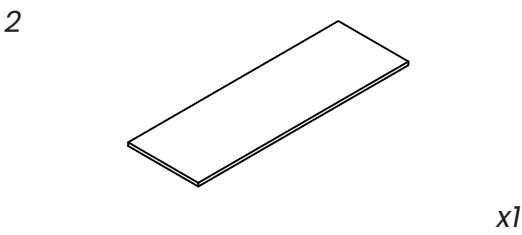
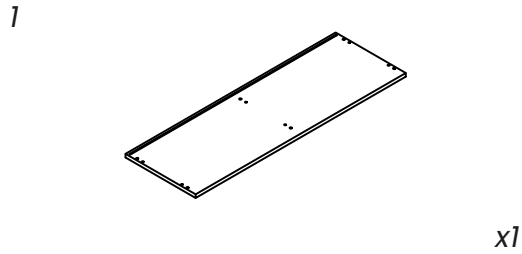
 www.cultfurniture.com



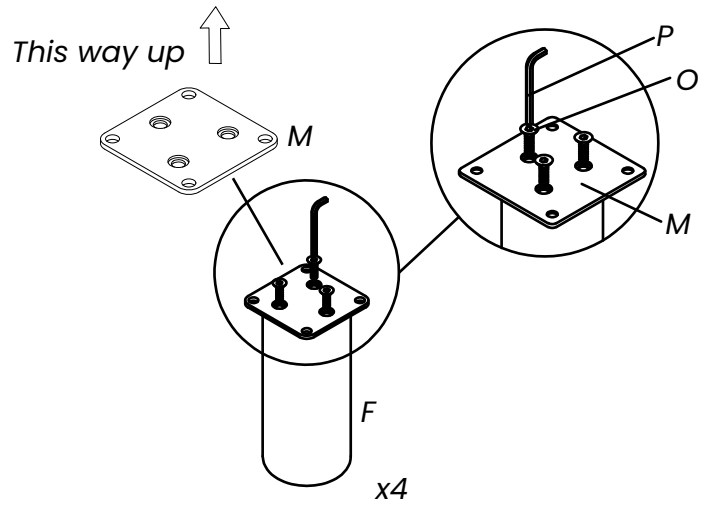
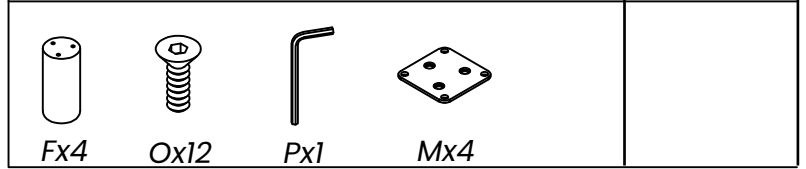
Raphael TV Stand, Oak

CF_HE24112/OAK

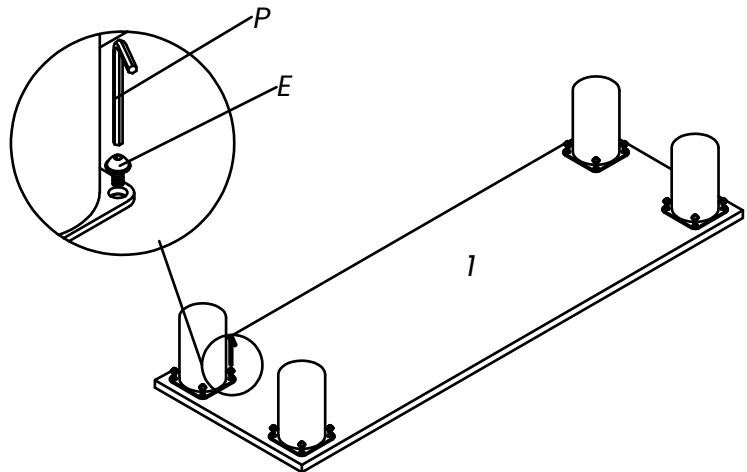
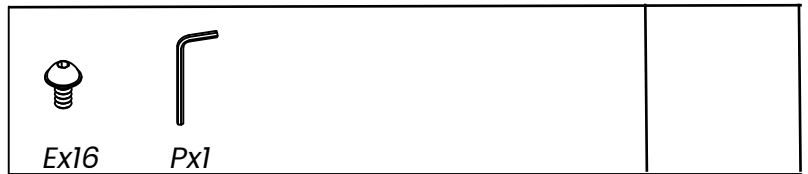
PRODUCT PARTS INCLUDED



STEP 1



STEP 2



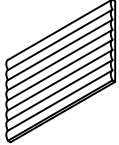


Raphael TV Stand, Oak

CF_HE24112/OAK

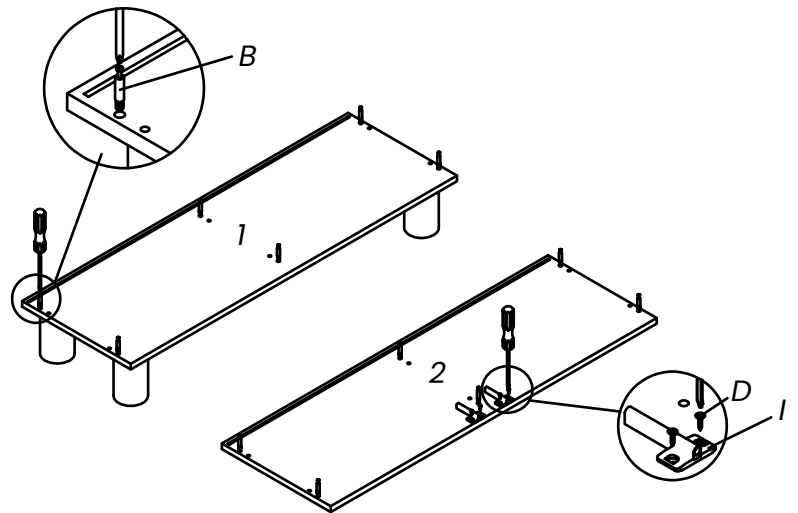
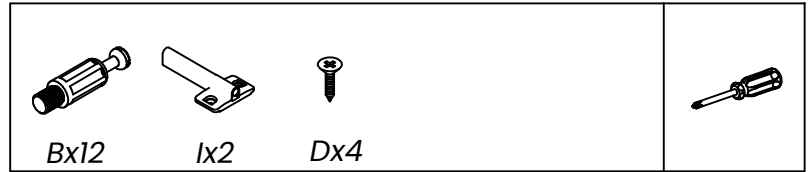
PRODUCT PARTS INCLUDED

7B

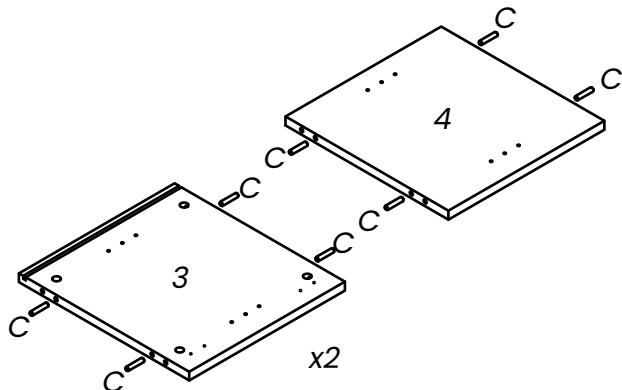


x1

STEP 3



STEP 4





Raphael TV Stand, Oak

CF_HE24112/OAK

PRODUCT PARTS INCLUDED



Φ15x12

Ax12



M6x35

Bx12



Φ8x40

Cx12



3.5x15

Dx34

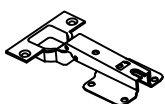


M6x16

Ex16

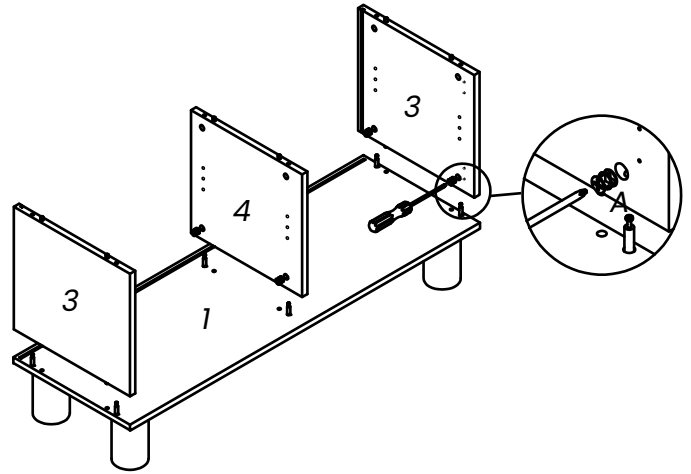


Fx4

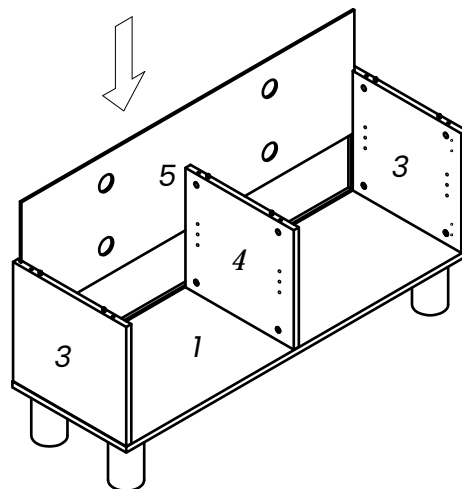


Gx4

STEP 5



STEP 6





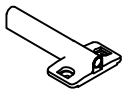
Raphael TV Stand, Oak

CF_HE24112/OAK

PRODUCT PARTS INCLUDED



Hx2



Ix2



Jx8



Kx2



Lx2



95x95x4

Mx4

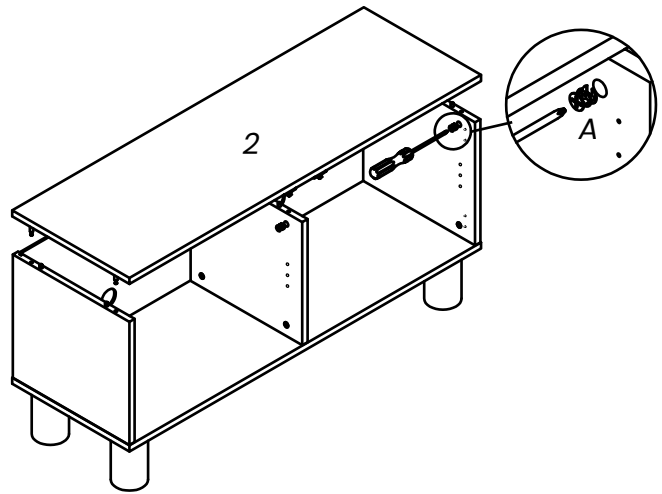


Nx6

STEP 7



Ax6



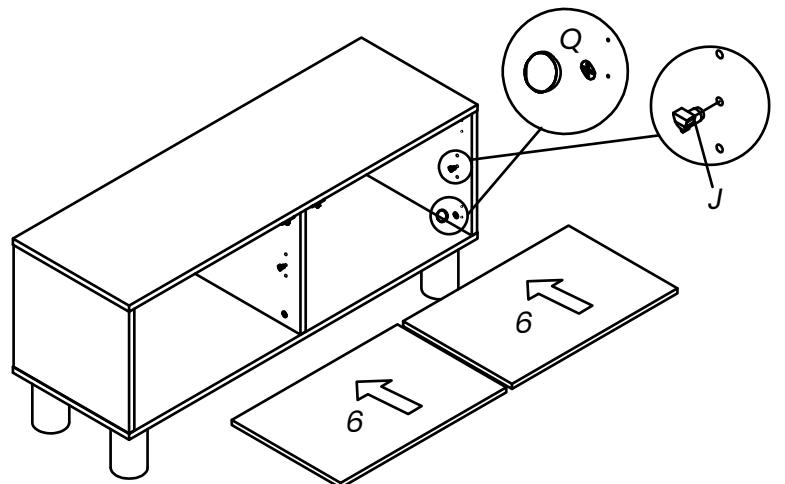
STEP 8



Jx8



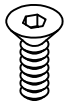
Qx12



Raphael TV Stand, Oak

CF_HE24112/OAK

PRODUCT PARTS INCLUDED



M8x16

Ox12



M5

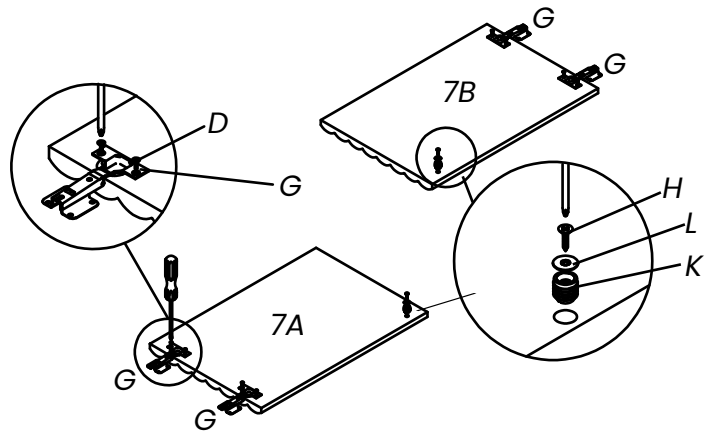
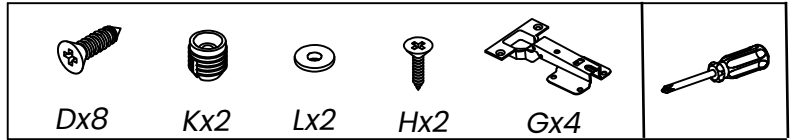
Px1



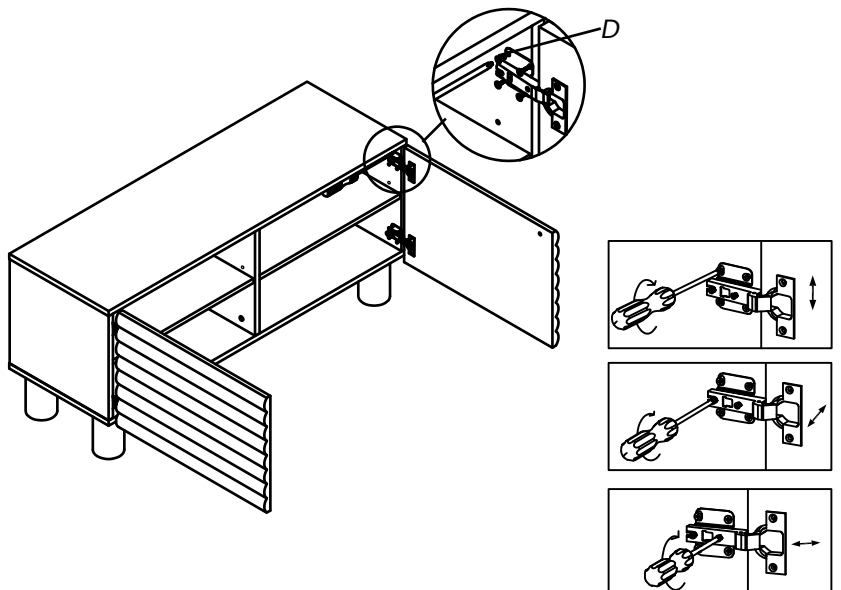
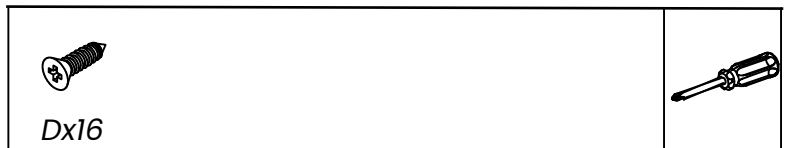
φ20

Qx12

STEP 9



STEP 10

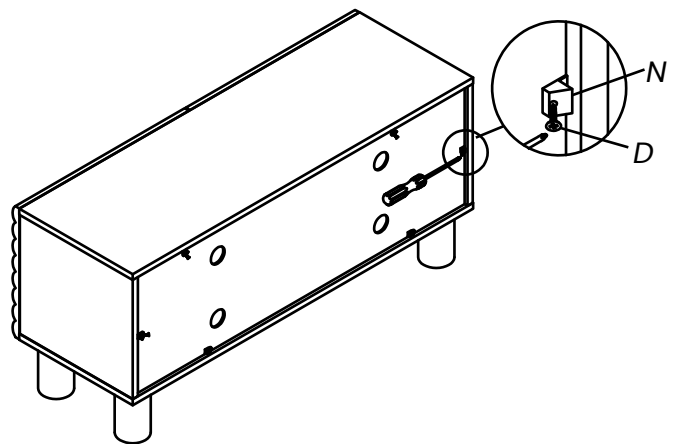




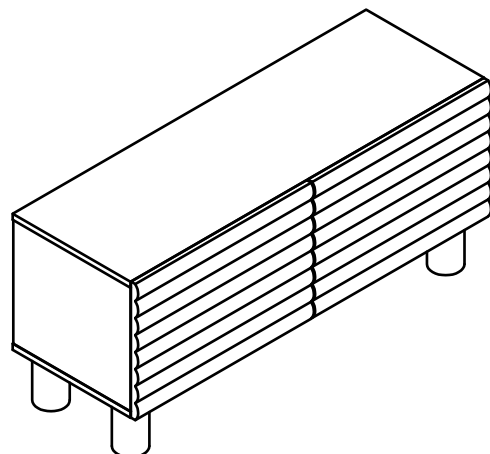
Raphael TV Stand, Oak

CF_HE24112/OAK

STEP 11



STEP 12



Assembled