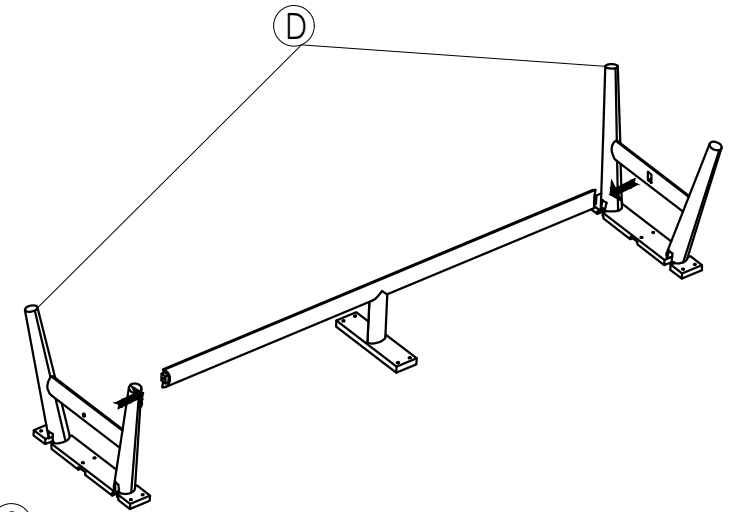
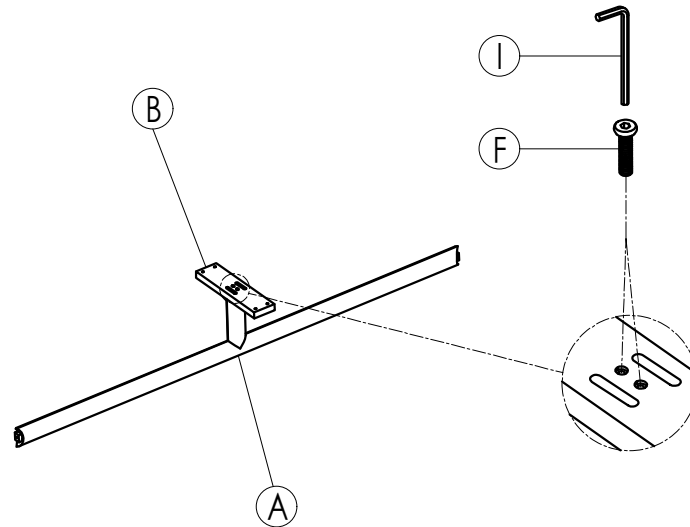


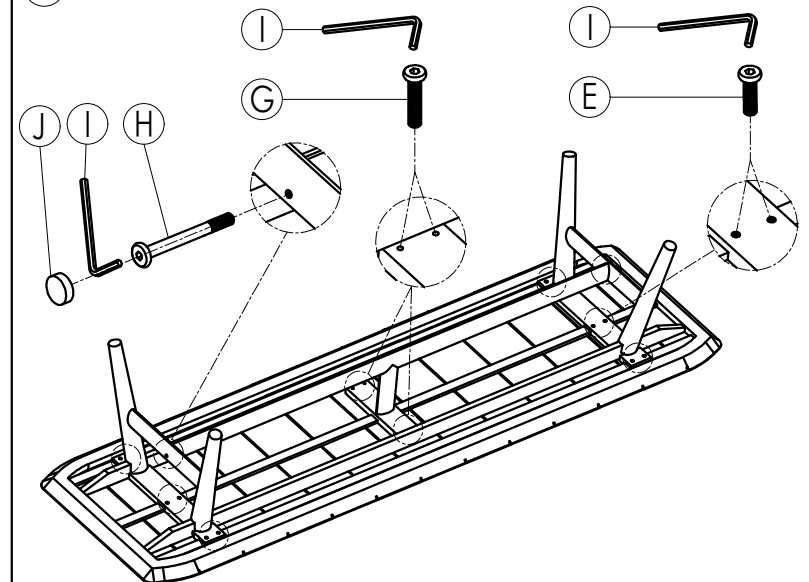
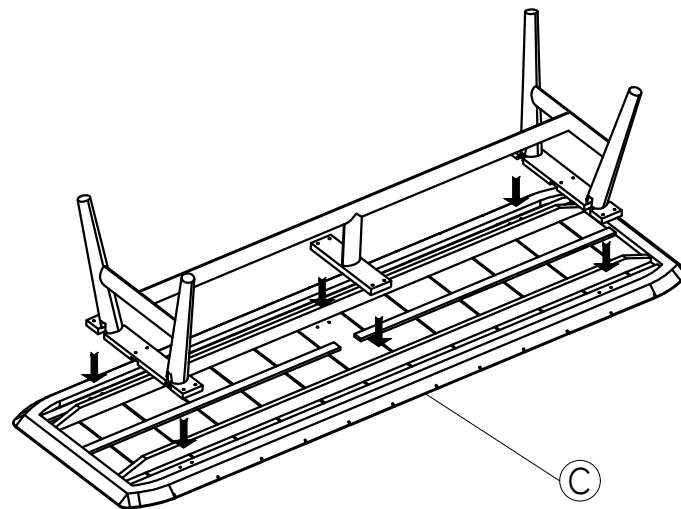
A		X 1
B		X 1
C		X 1
D		X 2
E		X 12 M6*30
F		X 2 M6*35
G		X 4 M6*40
H		X 2 M8*90
I		X 1 M6 & M8
J		X 2



Lock the screws into 3/4 parts according to the instructions, after levelling the product, tighten all the screws at the end



1 2  
3 4



N<sup>TH</sup> Degree  
CLERKENWELL