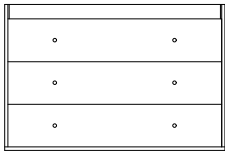


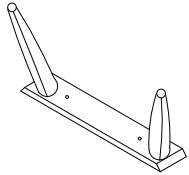
# SWOON

## FRESCO CHEST OF DRAWERS

SKWN229



1 X CHEST OF DRAWER  
TOP



2 X LEG



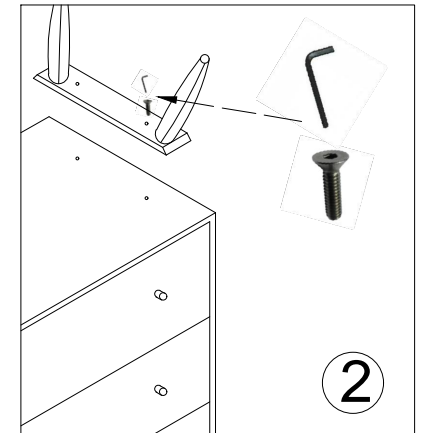
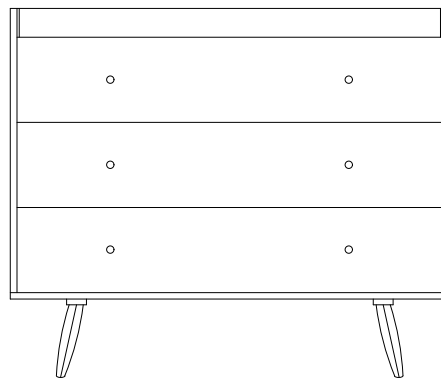
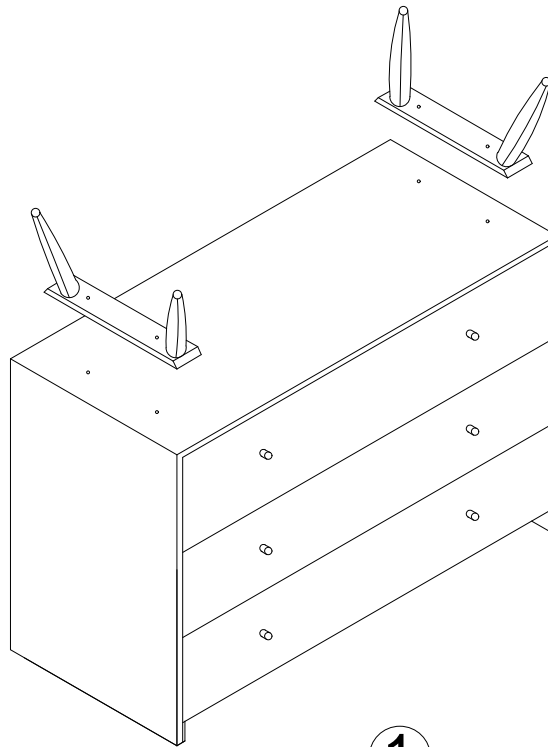
4 X ALLEN BOLT  
6X30MM



1 X ALLEN KEY  
4MM



4 X WASHER



ASSEMBLED

NOTE : PLEASE ASSEMBLE ON A MAT OR CARPET