



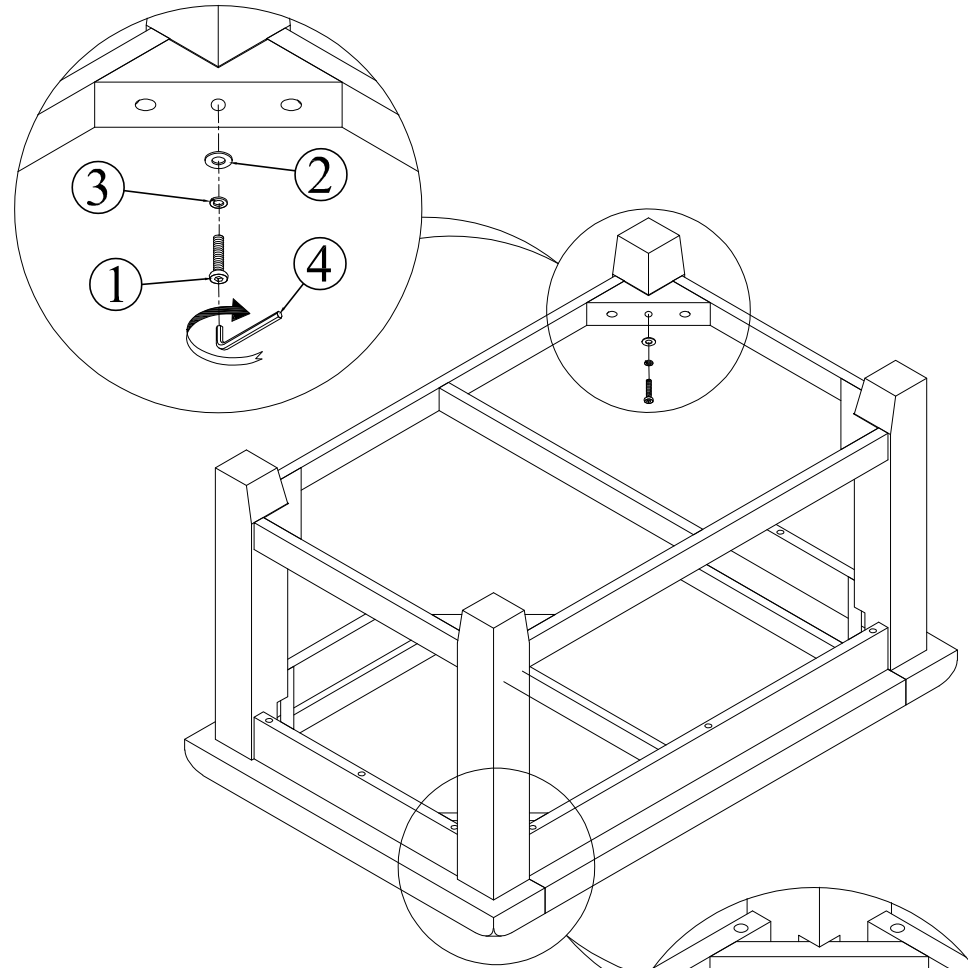
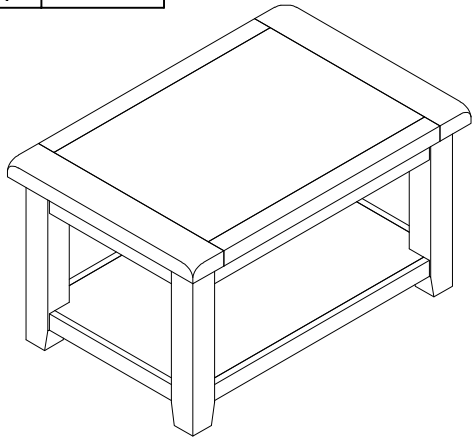


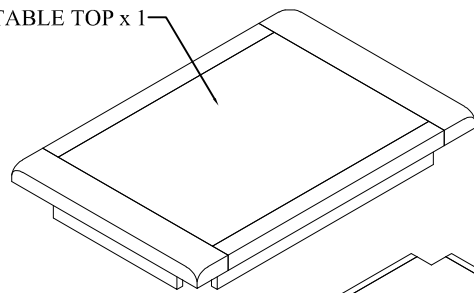
# ASSEMBLY INSTRUCTION STANDARD COFFEE TABLE KD

No	LIST OF HARDWARE	Q.TY(pcs)
1	Bolts ( M8 x 40 ) 	12
2	Flat Washer (M8x19) 	12
3	Spring Washer (M8) 	12
4	Allen key 	1

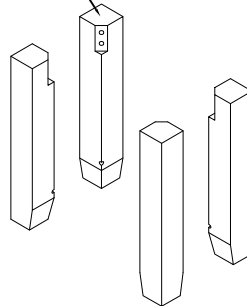


## LIST OF PART

A : TABLE TOP x 1



C : LEG x 4



B : SHELF x 1

