


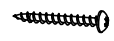
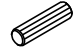
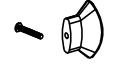



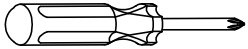
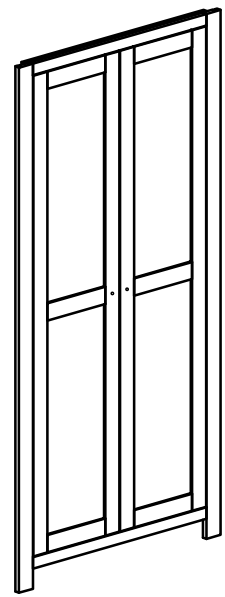
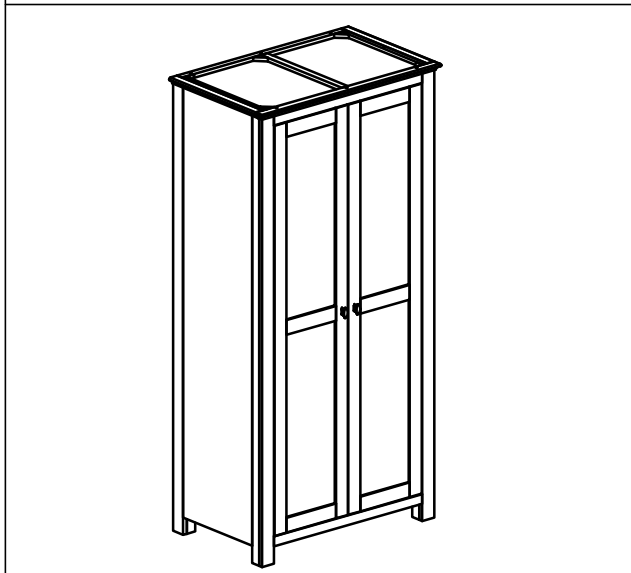


ASSEMBLY INSTRUCTION

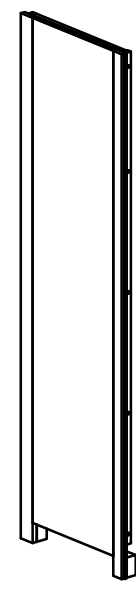
MOR031-ALL HANGING DOUBLE ROBE KD

No	LIST OF HARDWARE	Q.ty (pcs)
①	Bolts M6x30 	18
②	Flat Washers 	18
③	Allen key K4 	1
④	Screw Ø4 x 30 	22
⑤	Wooden Dowel Ø8x30 	1
⑥	Handles with Bolts 	2
⑦	Bracket 	2
⑧	Tie 	2
⑨	Screw Ø4 x 20 	4

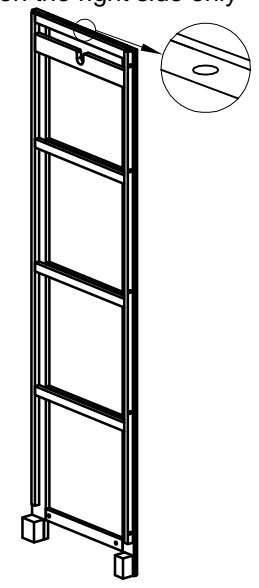
Screwdriver (not included) 



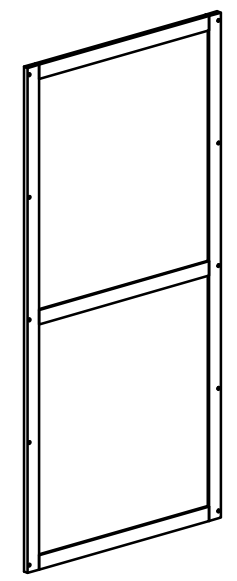
A Front Frame : x1



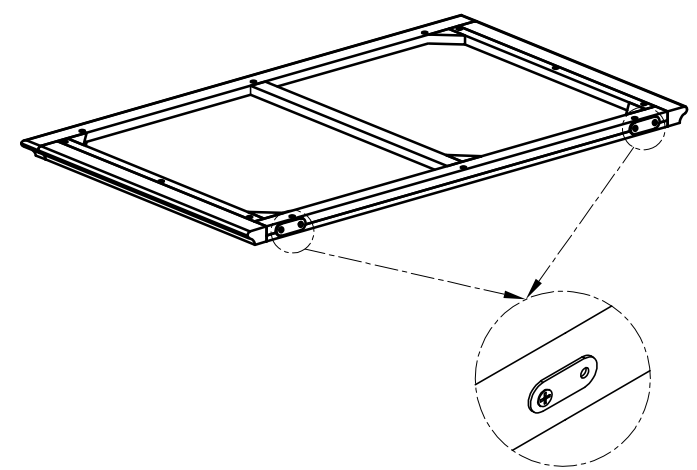
The dowel hole location on the right side only



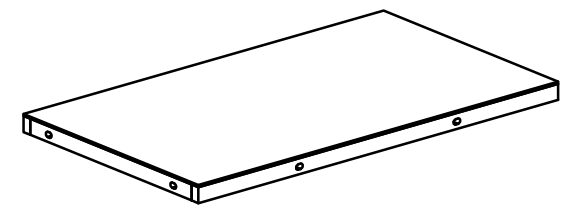
B Side Frame: x 2 (left -right)



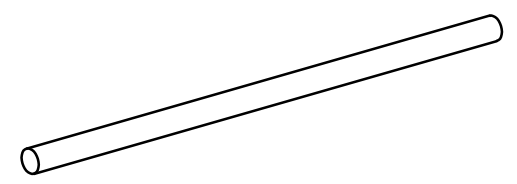
C Back Frame: x 1



D Top Frame: x 1



E Bottom Frame: x 1

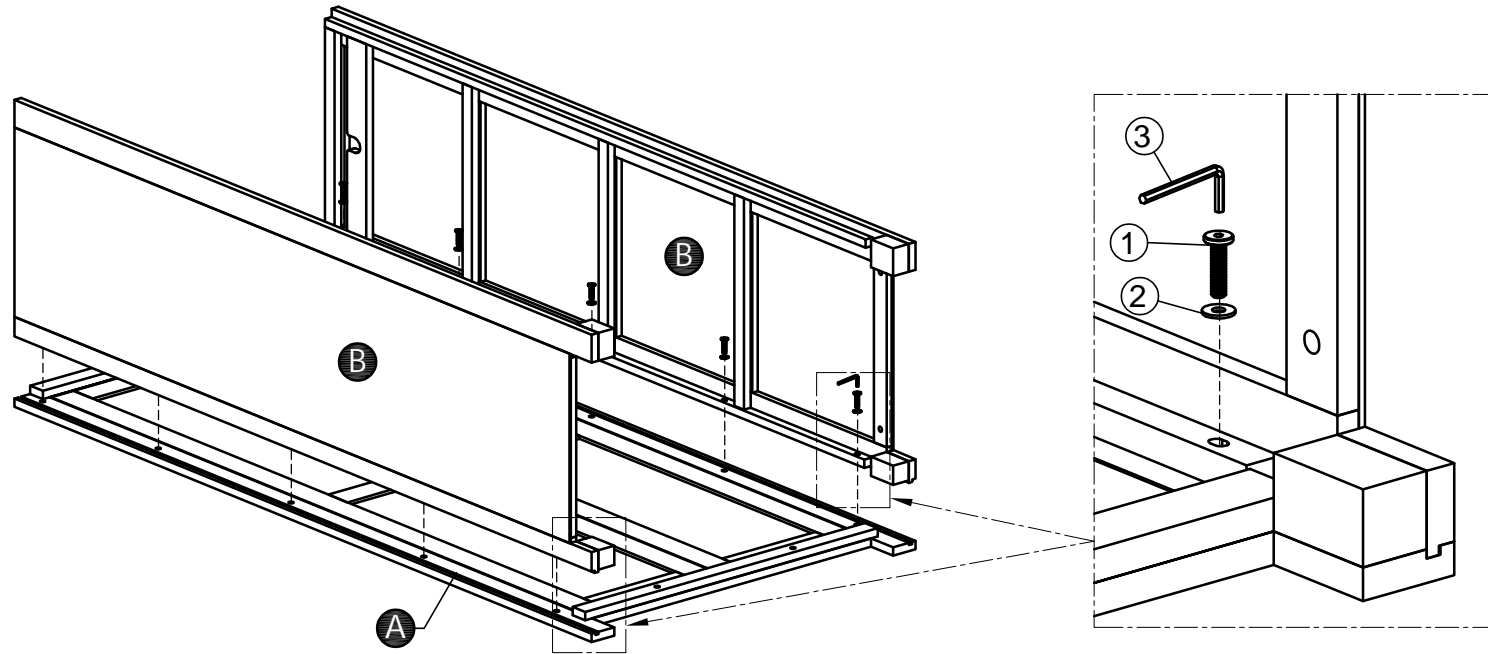


F Hanging: x 1

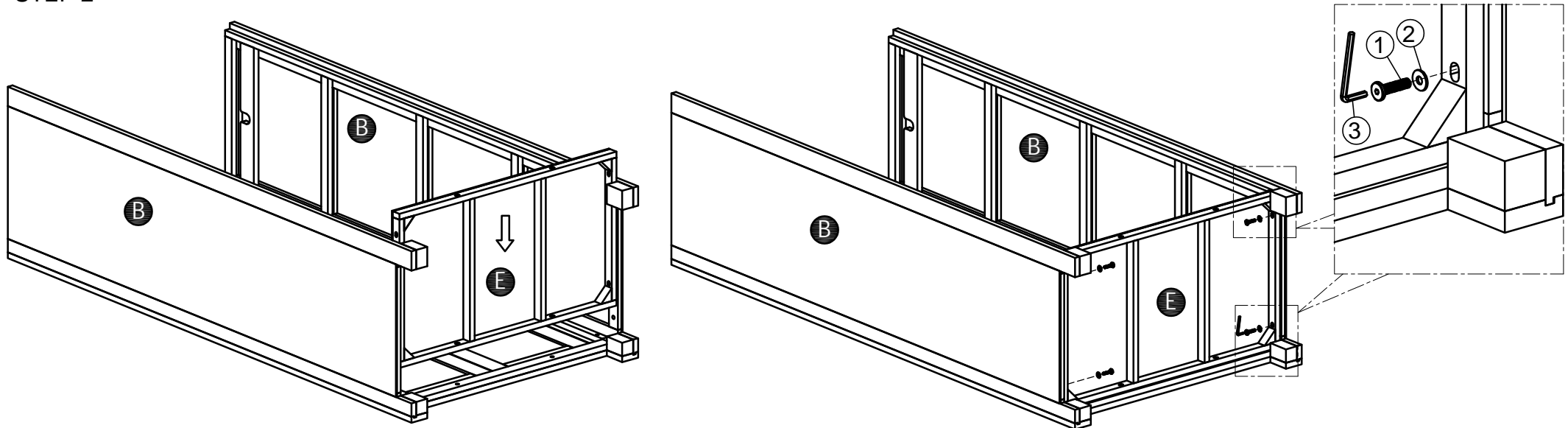
ASSEMBLY INSTRUCTION

MOR031-ALL HANGING DOUBLE ROBE KD

STEP 1



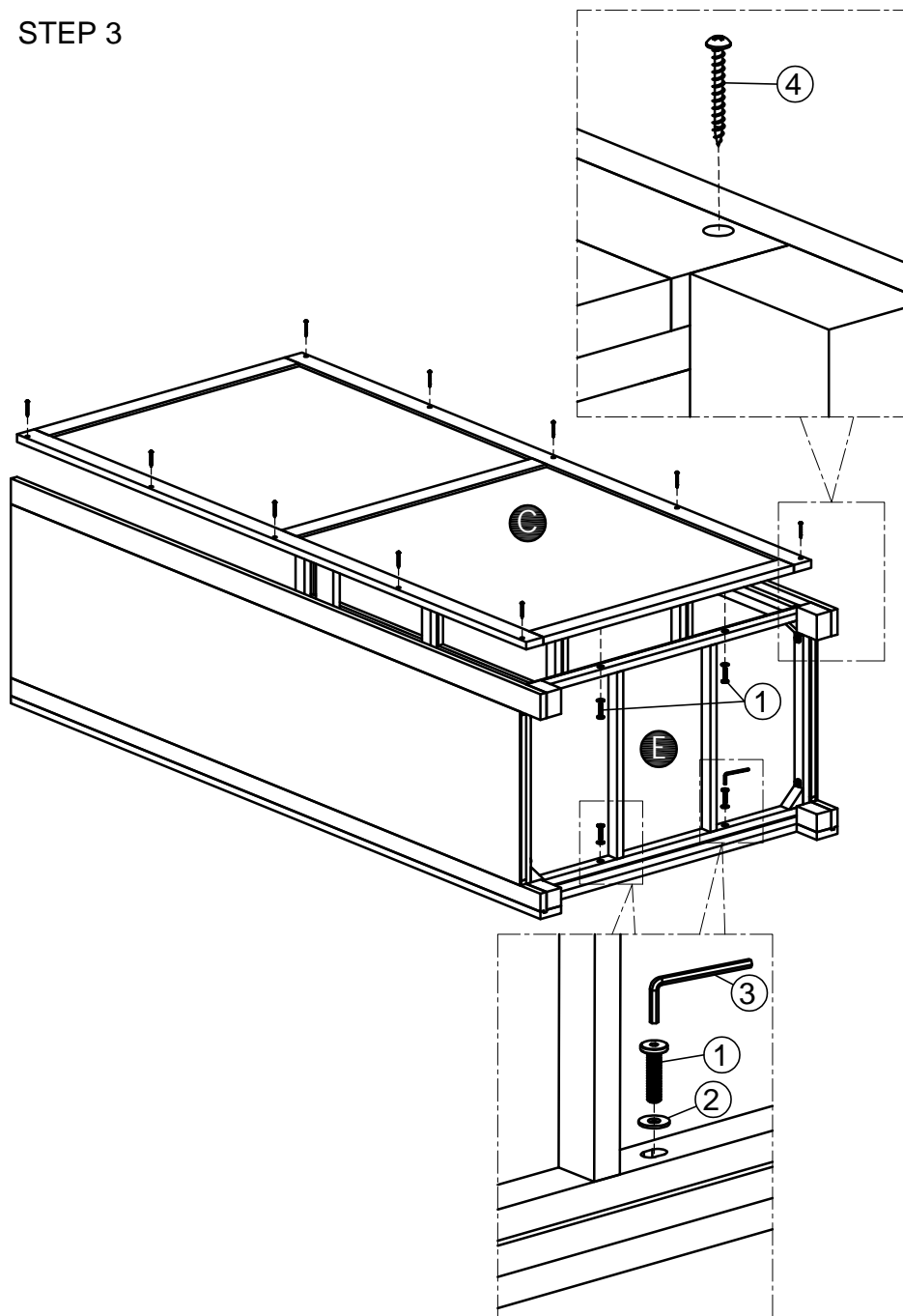
STEP 2



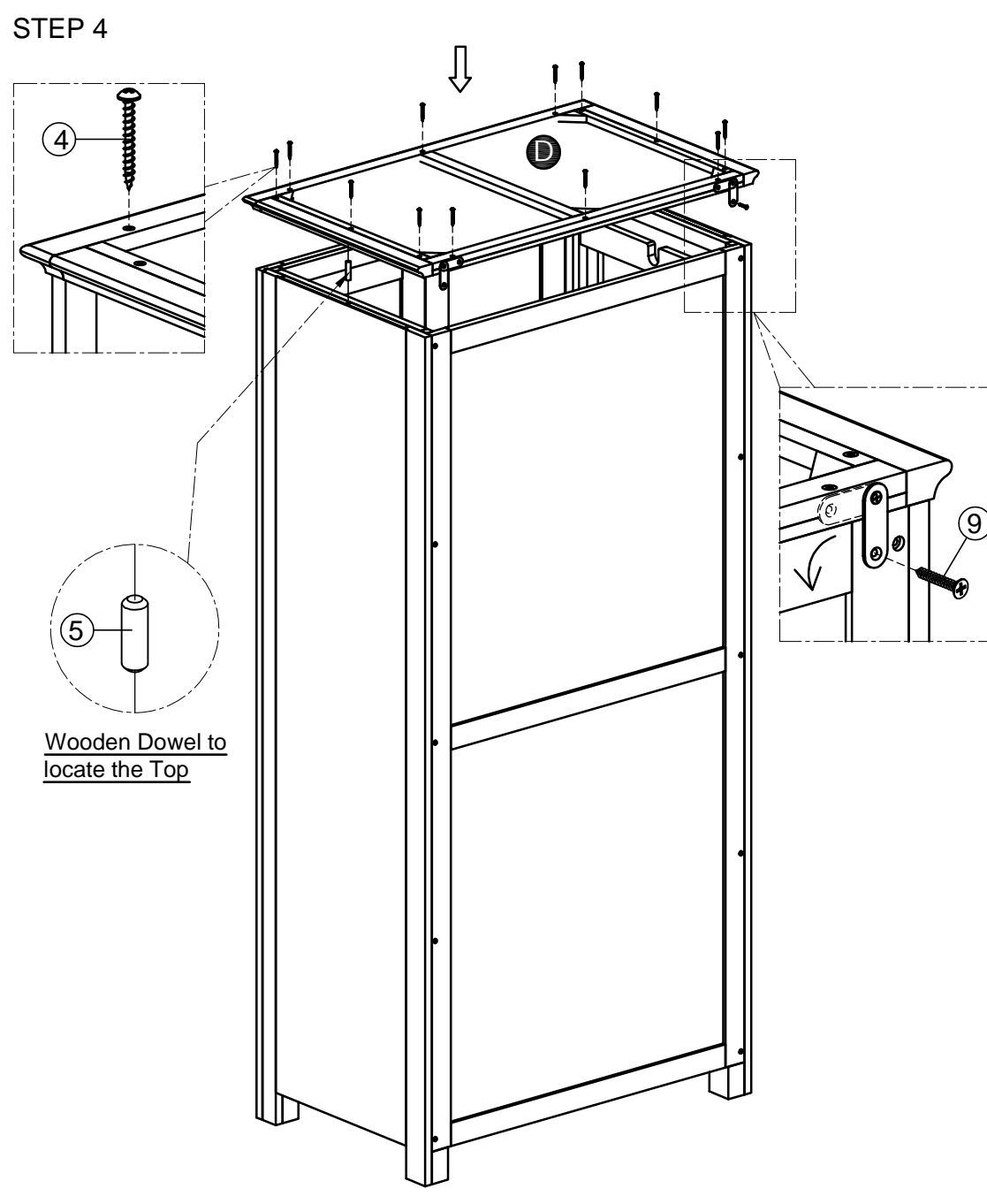
ASSEMBLY INSTRUCTION

MOR031-ALL HANGING DOUBLE ROBE KD

STEP 3



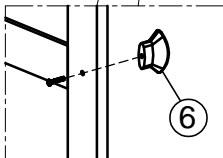
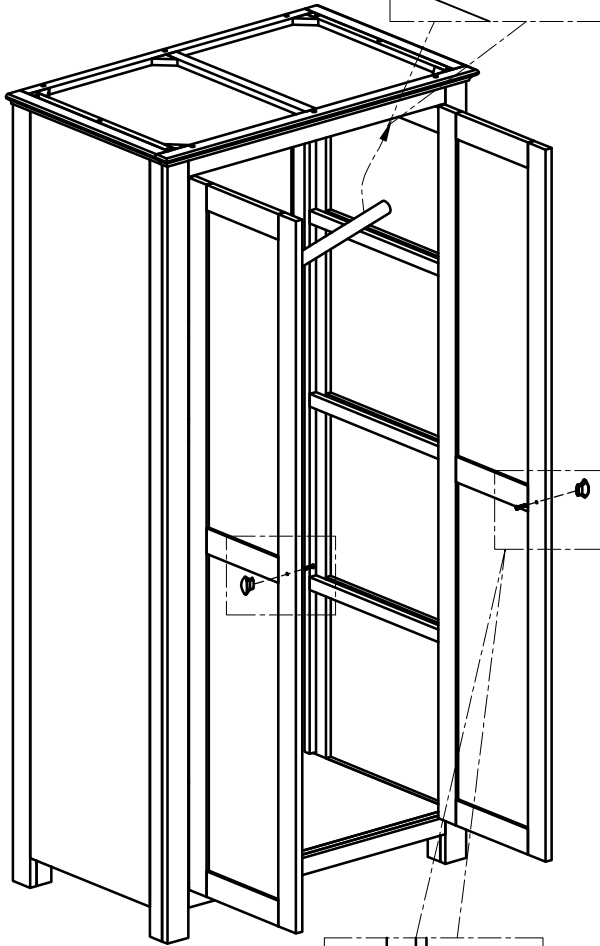
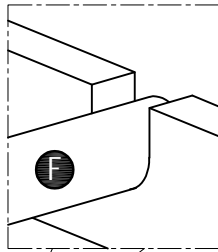
STEP 4



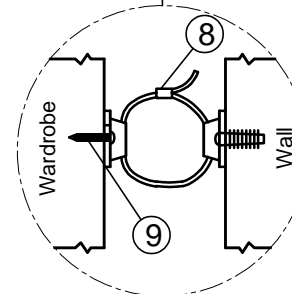
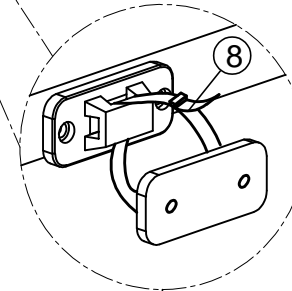
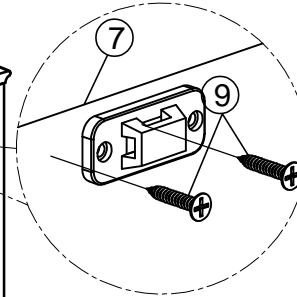
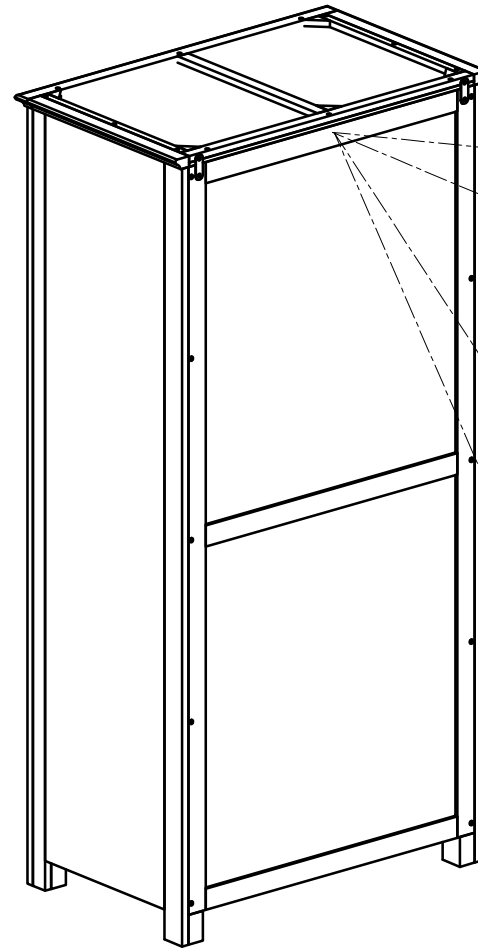
ASSEMBLY INSTRUCTION

MOR031-ALL HANGING DOUBLE ROBE KD

STEP 5



STEP 6



FINAL

