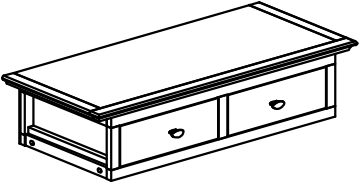
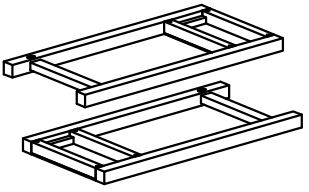





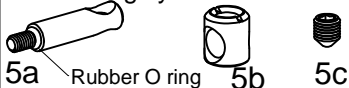
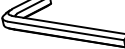



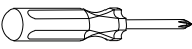


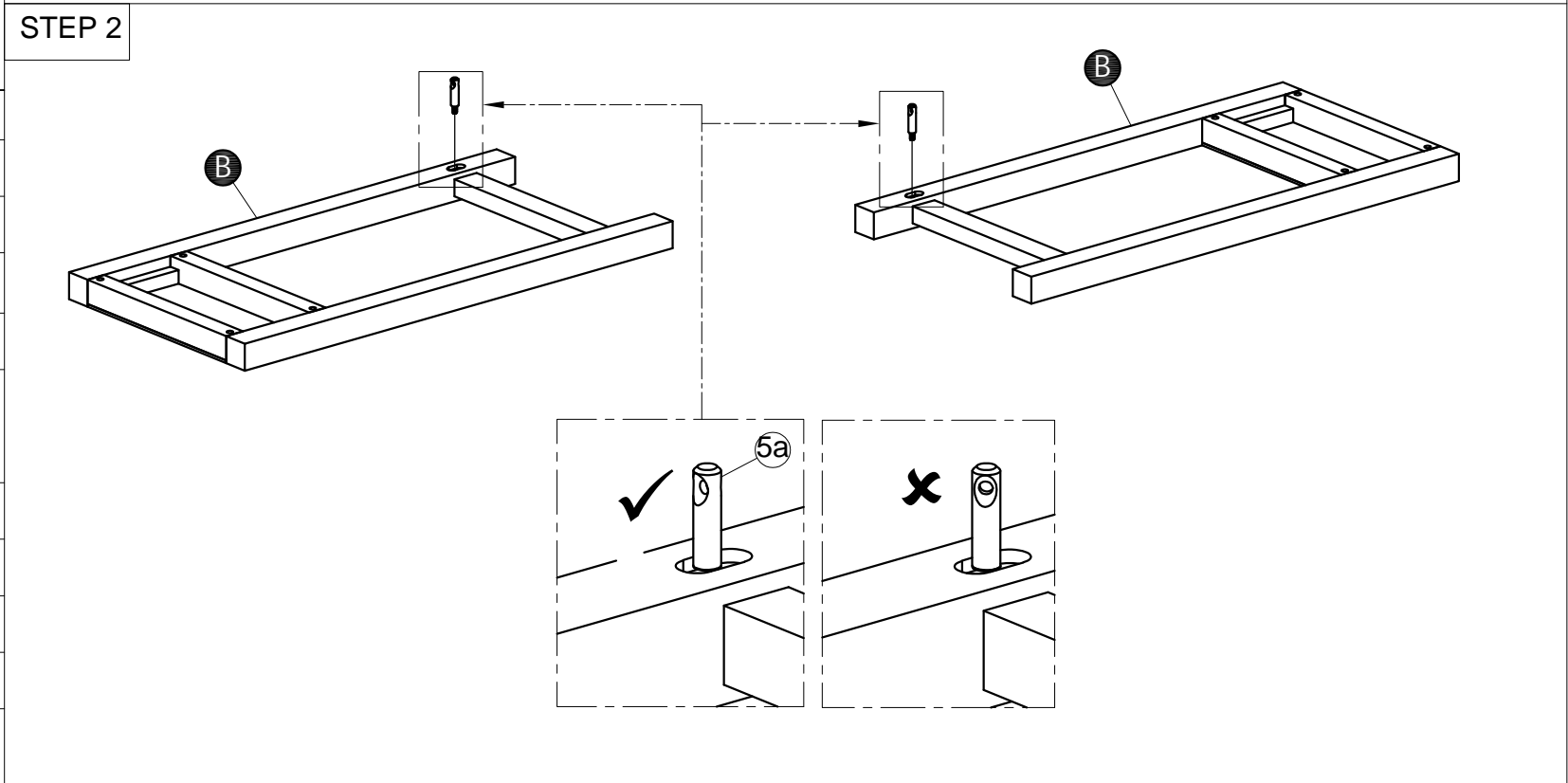
ASSEMBLY INSTRUCTION

MOR022-DRESSING TABLE KD

No	Name of Component	Q.ty
A	 Top Frame	1
B	 Leg Frame(Left - Right)	2
C	 Stretcher	1

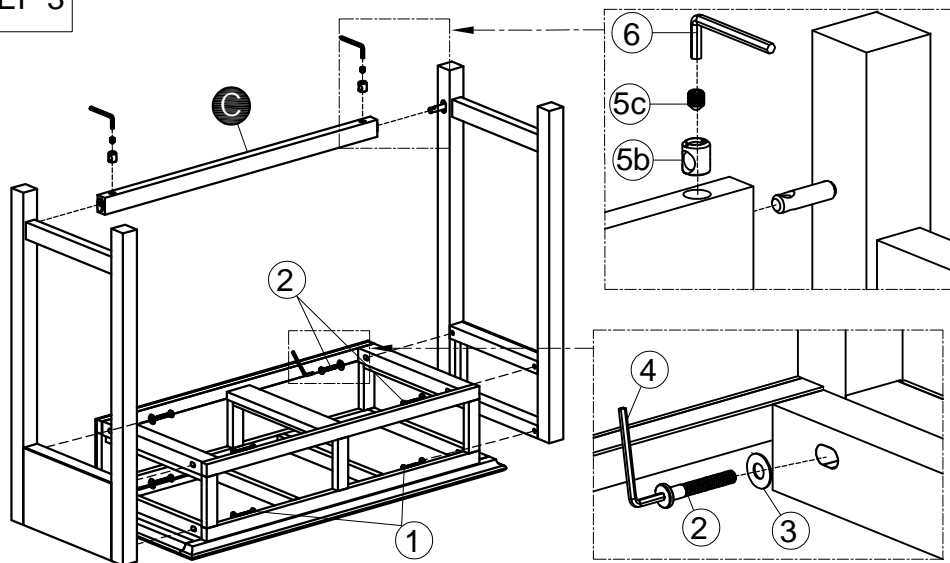


No	Name of Hardware	Q.ty
①	Bolts M6x35 	4
②	Bolts M6x60 	4
③	Flat Washers 	8
④	Allen key K4 	1
⑤	Connecting system 5a Rubber O ring 5b 5c 	2 Sets
⑥	Allen key K5 	1
⑦	Plastic bracket 	2
⑧	Tie 	1
⑨	Screw Ø4x20 	2
Screwdriver (not included) 		

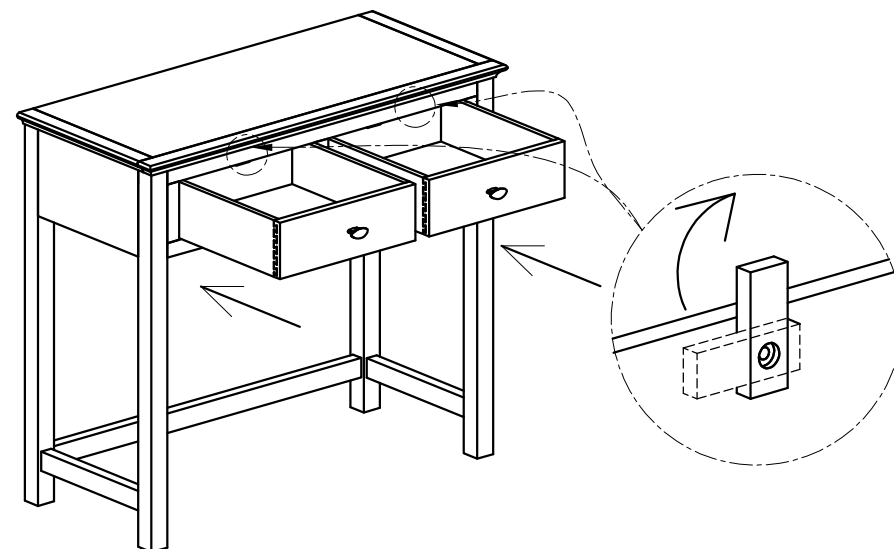


ASSEMBLY INSTRUCTION MOR022-DRESSING TABLE KD

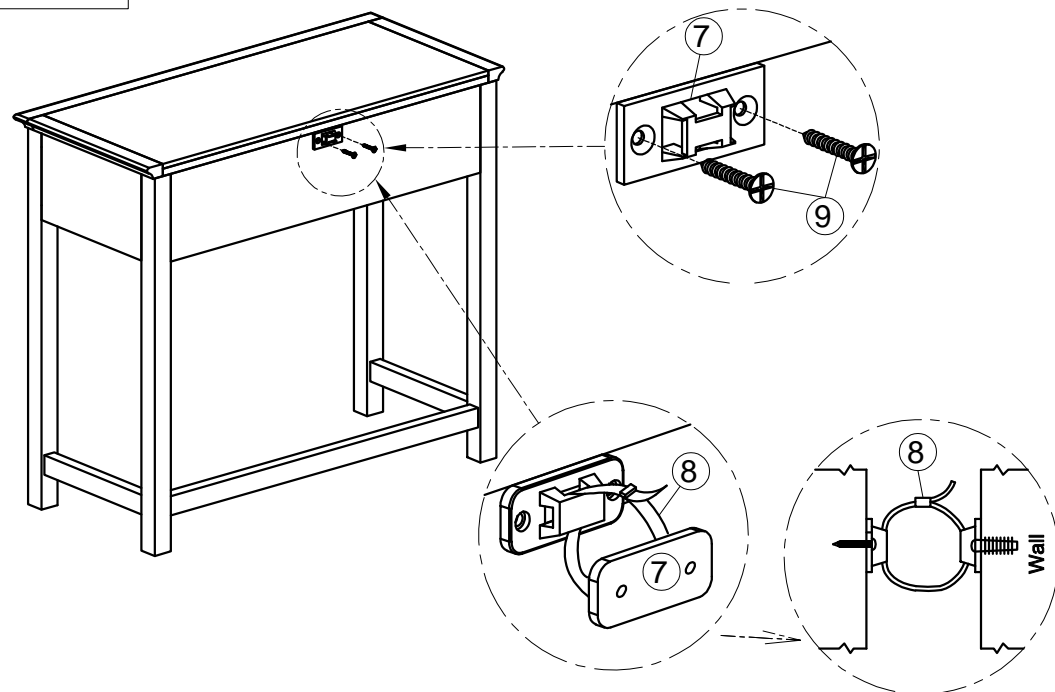
STEP 3



STEP 4



STEP 5



FINAL

