
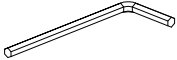



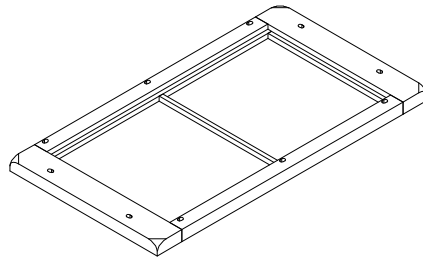
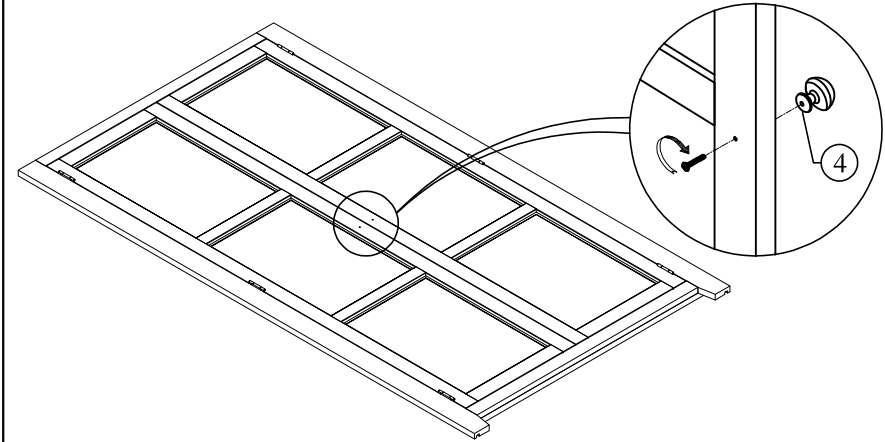


ASSEMBLY INSTRUCTION DOUBLE FULL HANGING ROBE

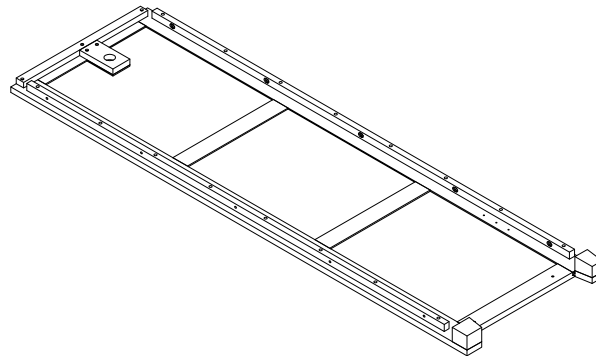
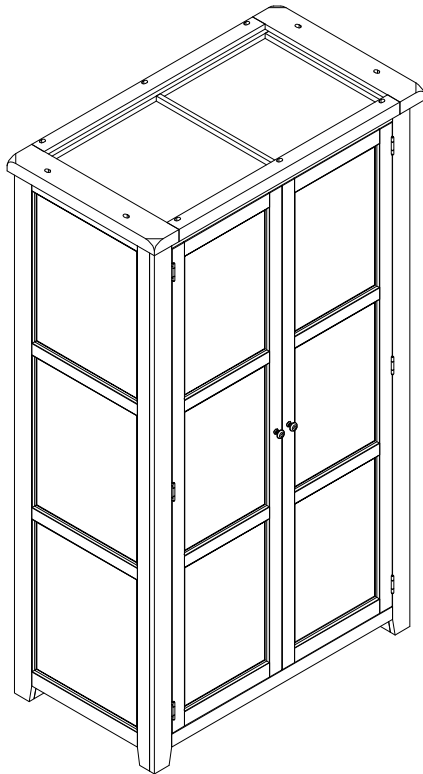
No	LIST OF HARDWARE	Q.TY(pcs)
1	Bolts (M6x30mm) 	40
2	Allent keys 	1
3	Flat Washers (M6x14mm) 	40
4	Handle with bolts 	2 set
5	Shelf Support 	4



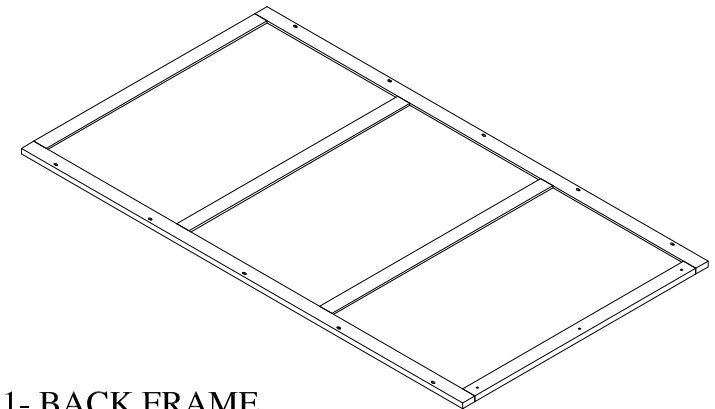
Ax1 - TOP FRAME



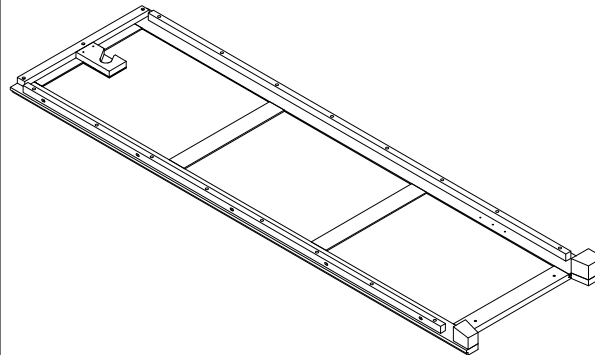
Bx1 - FRONT FRAME WITH DOOR



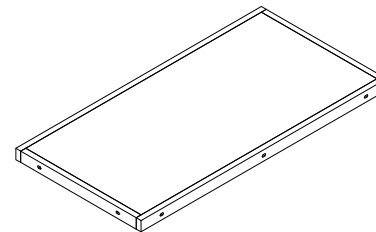
Cx1 - RIGHT SIDE



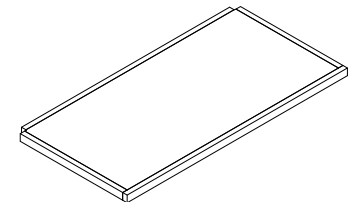
Ex1 - BACK FRAME



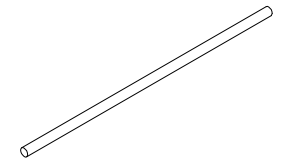
Dx1 - LEFT SIDE



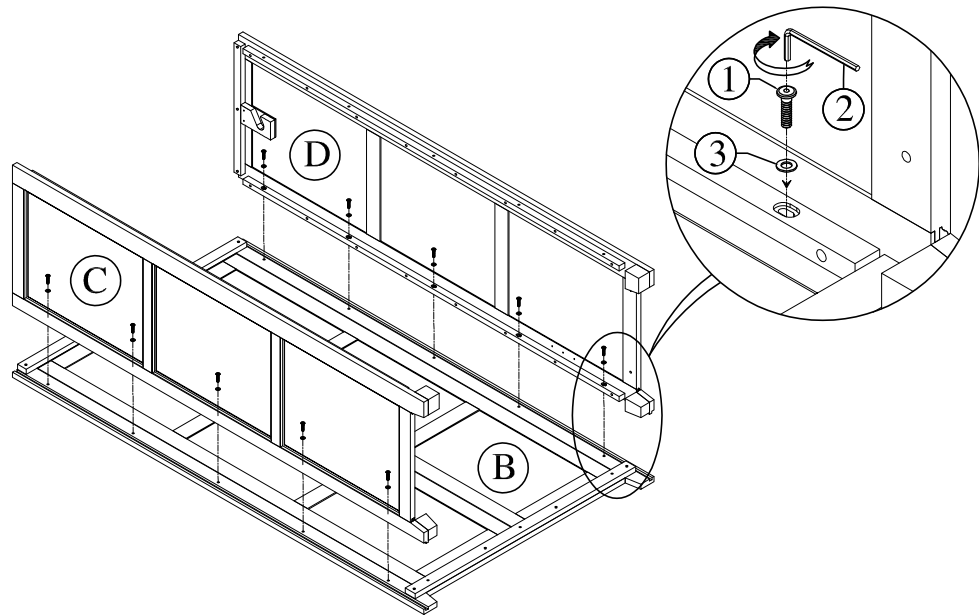
Fx1 - BOTTOM FRAME



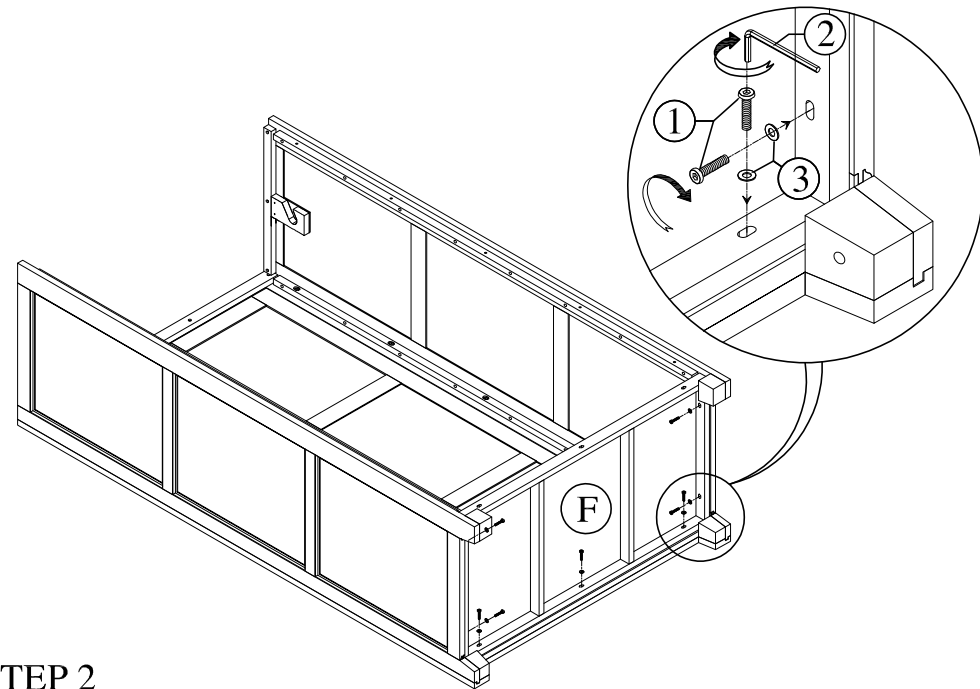
Gx1 - ADJUSTABLE SHELF



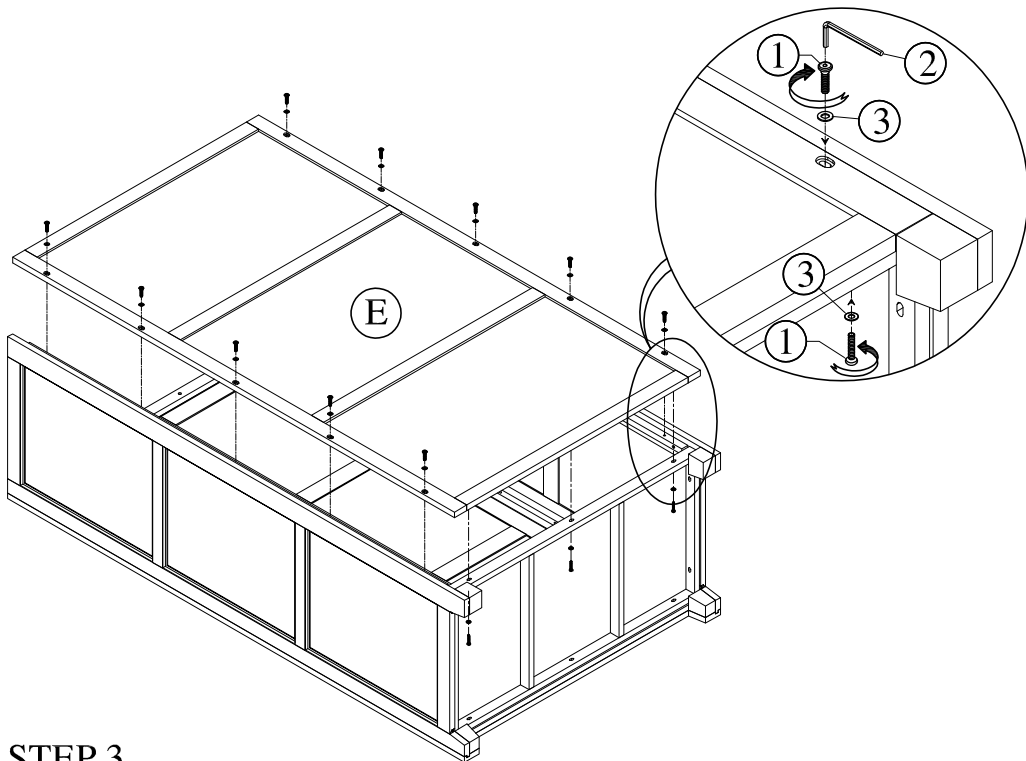
Hx1 - HANGING RAIL



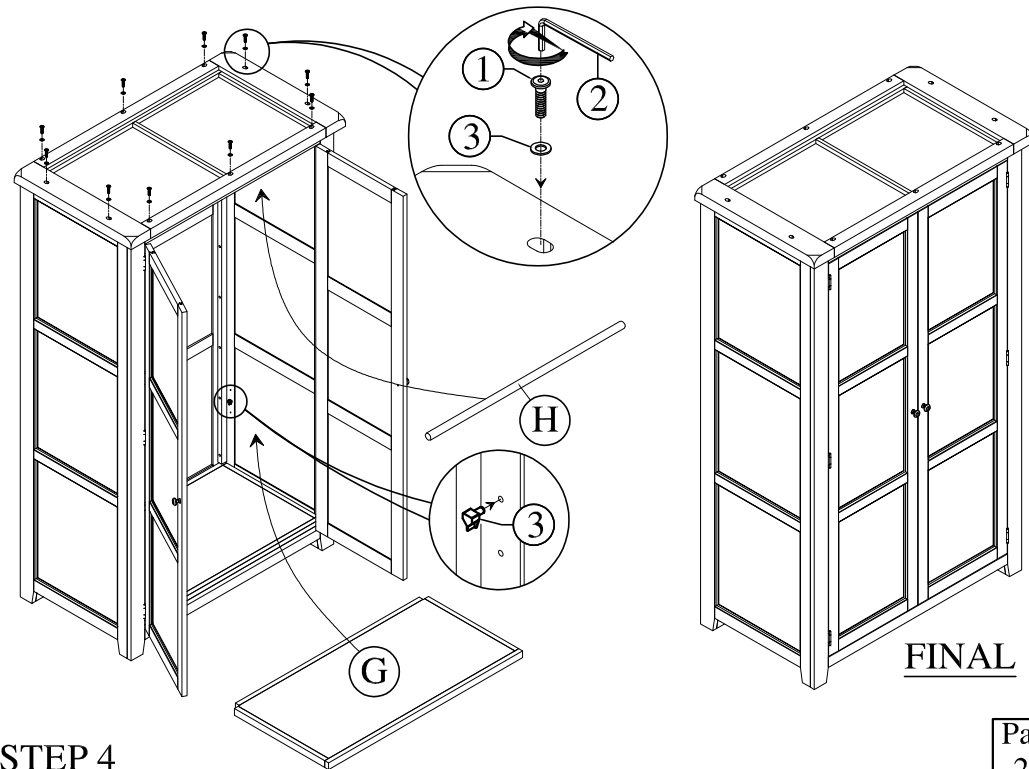
STEP 1



STEP 2



STEP 3



STEP 4

FINAL