



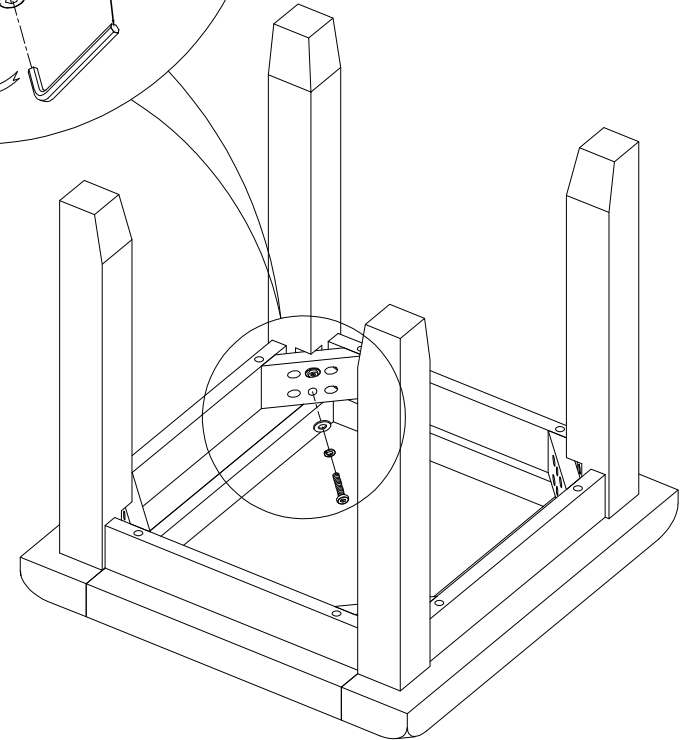
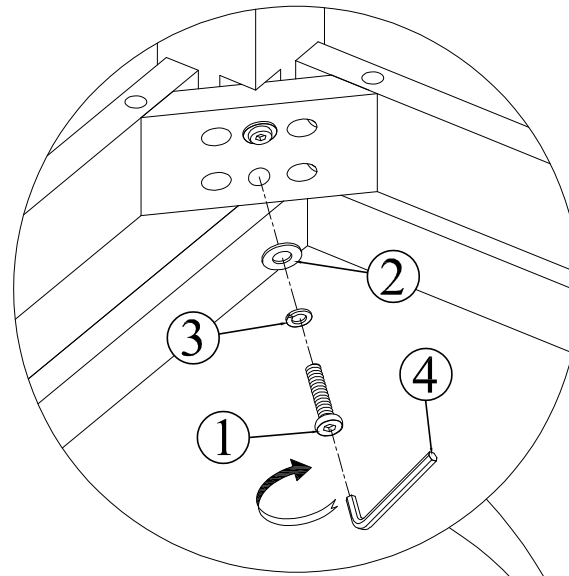
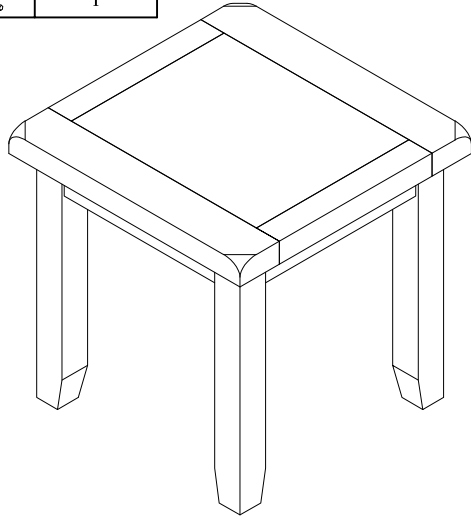


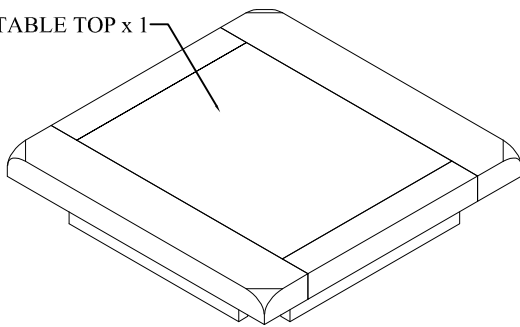
# ASSEMBLY INSTRUCTION LAMP TABLE KD

No	LIST OF HARDWARE	Q.TY(pcs)
1	Bolts ( M8 x 40 ) 	8
2	Flat Washer (M8x19) 	8
3	Spring Washer (M8) 	8
4	Allen key 	1



## LIST OF PART

A : TABLE TOP x 1



B : LEG x 4

