





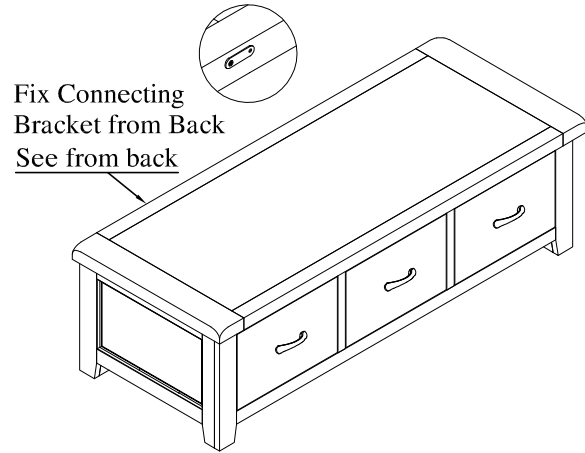
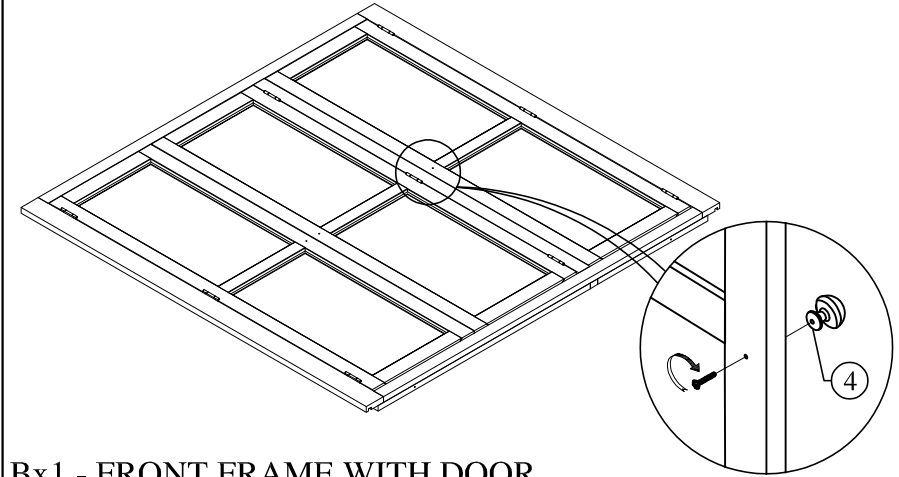


ASSEMBLY INSTRUCTION TRIPLE ROBE WITH 3 DRAWERS

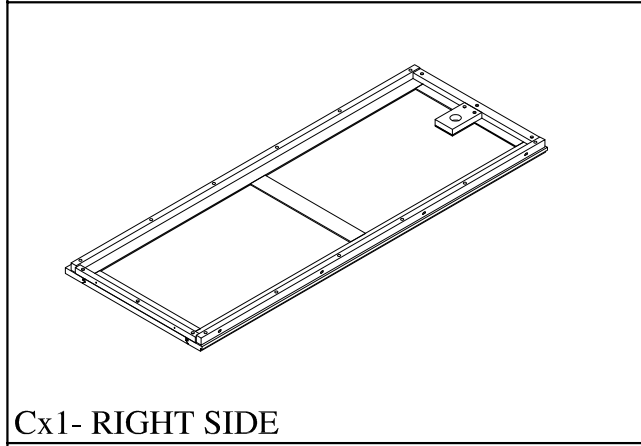
| No | LIST OF HARDWARE | Q.TY(pcs) |
|----|--|-----------|
| 1 | Bolts (M6x30mm)  | 30 |
| 2 | Allent keys  | 1 |
| 3 | Flat Washers (M6x14mm)  | 30 |
| 4 | Handle with bolts  | 3 set |
| 5 | Screw (M4x30)  | 6 |
| 6 | Screw (M3x15)  | 2 |



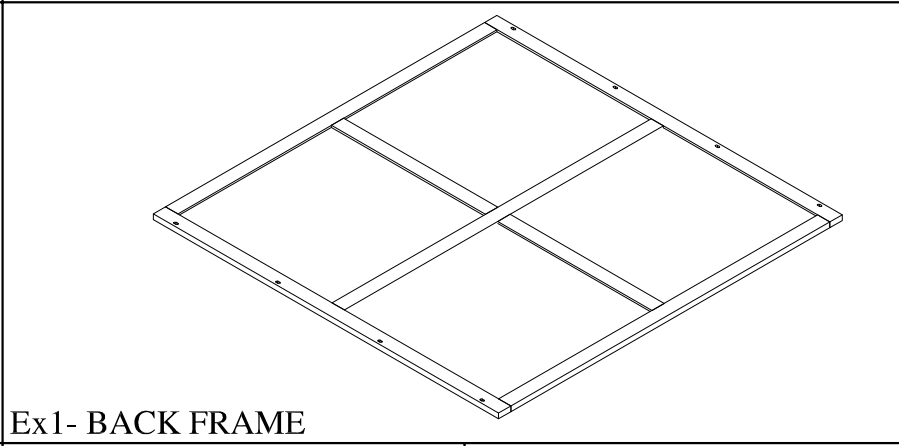
Ax1 - BASE



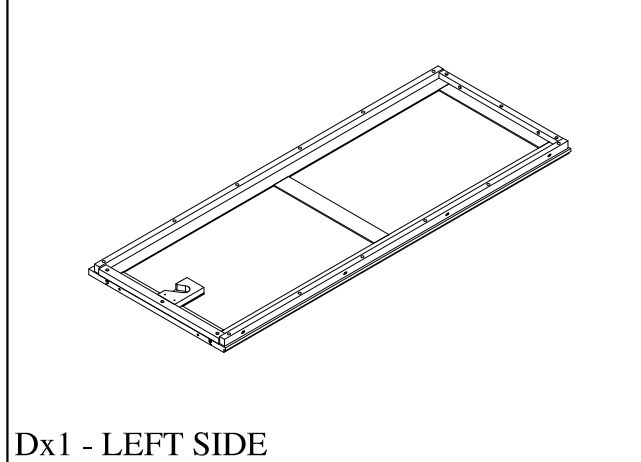
Bx1 - FRONT FRAME WITH DOOR



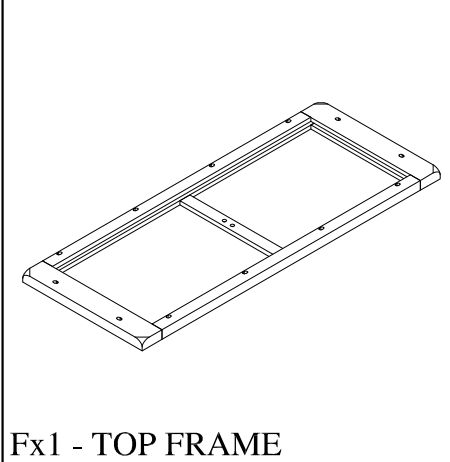
Cx1 - RIGHT SIDE



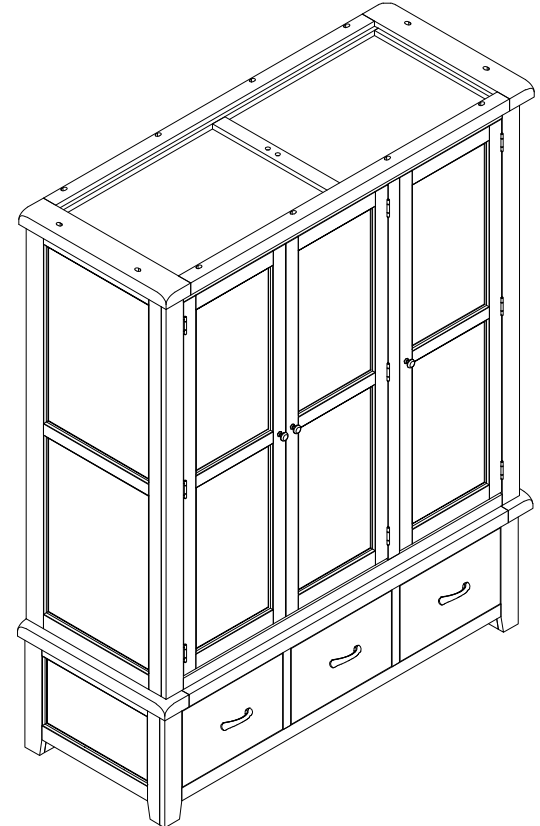
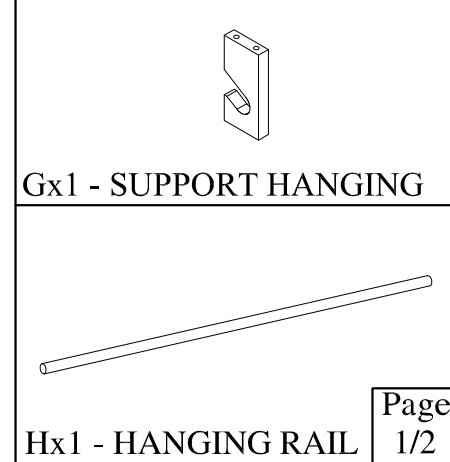
Ex1 - BACK FRAME

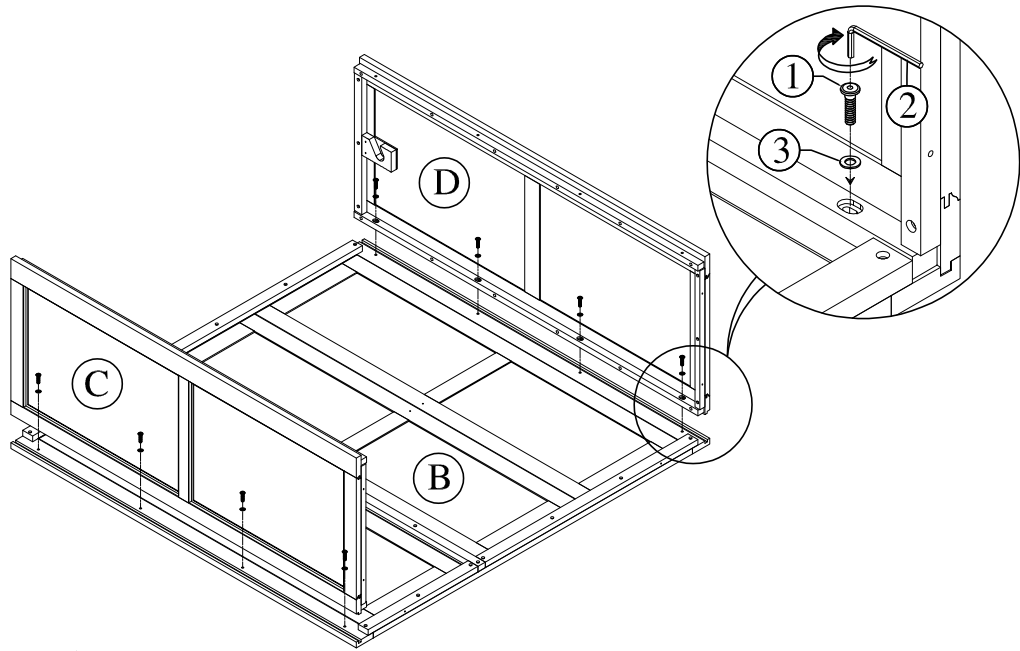


Dx1 - LEFT SIDE

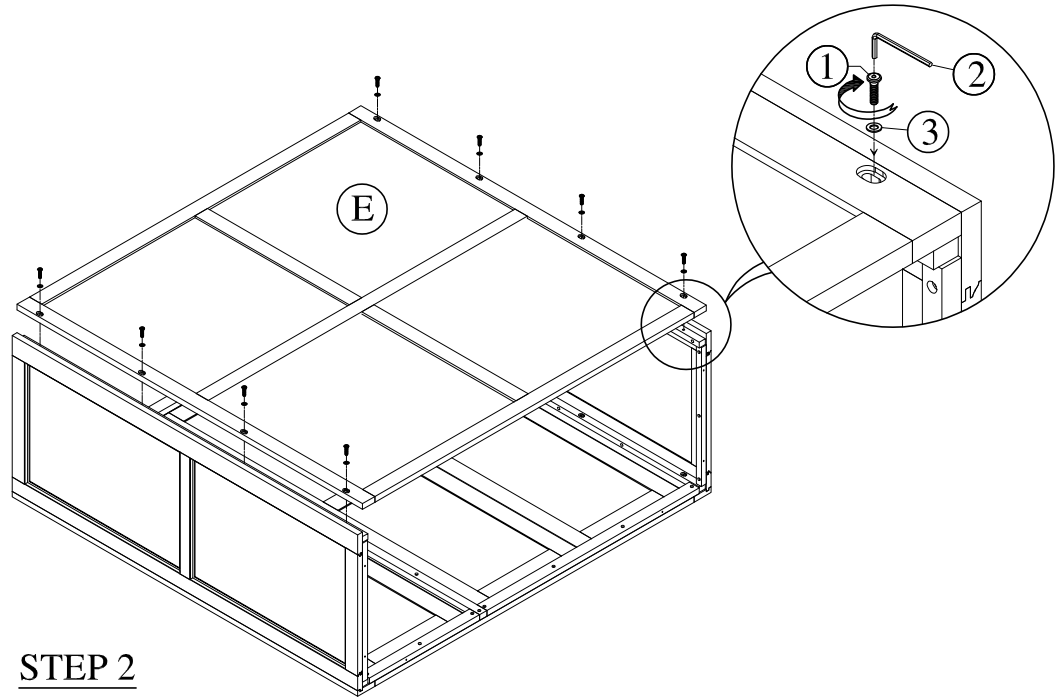


Fx1 - TOP FRAME

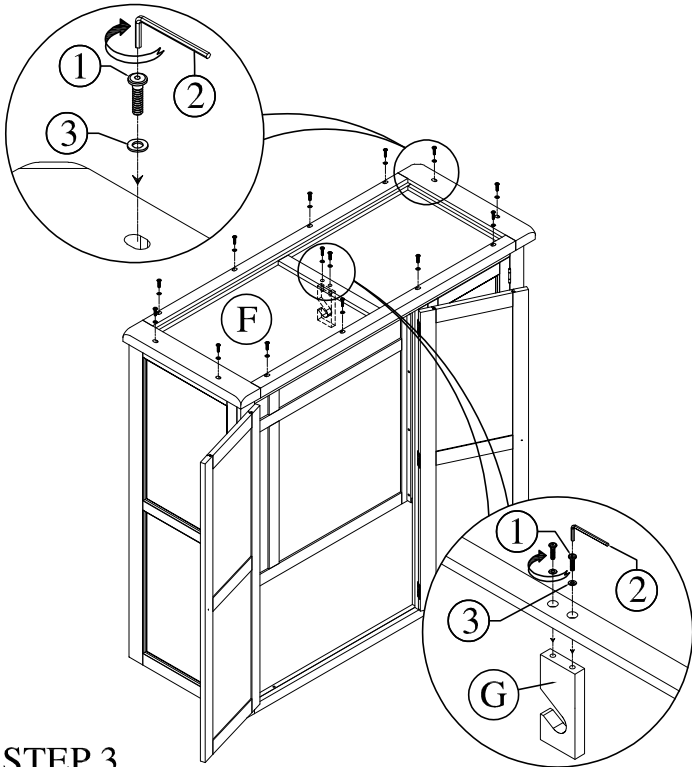




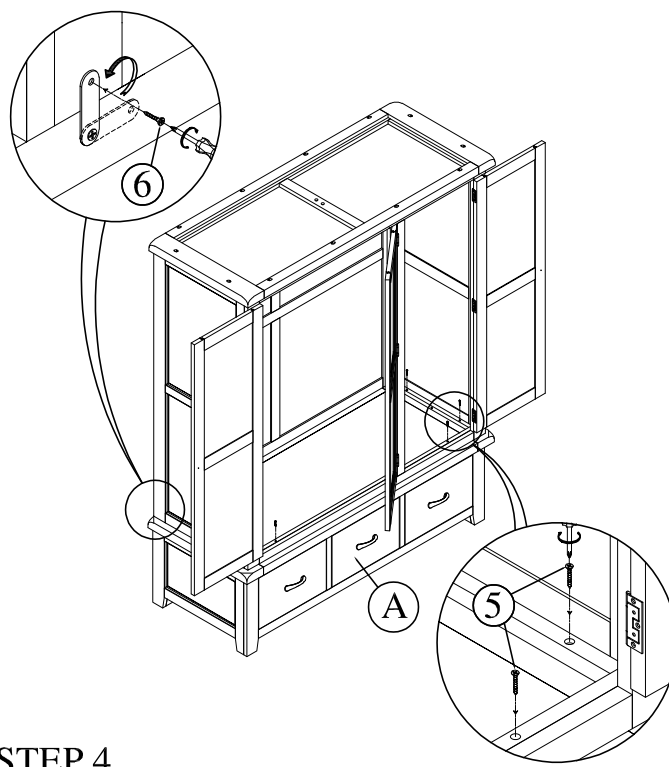
STEP 1



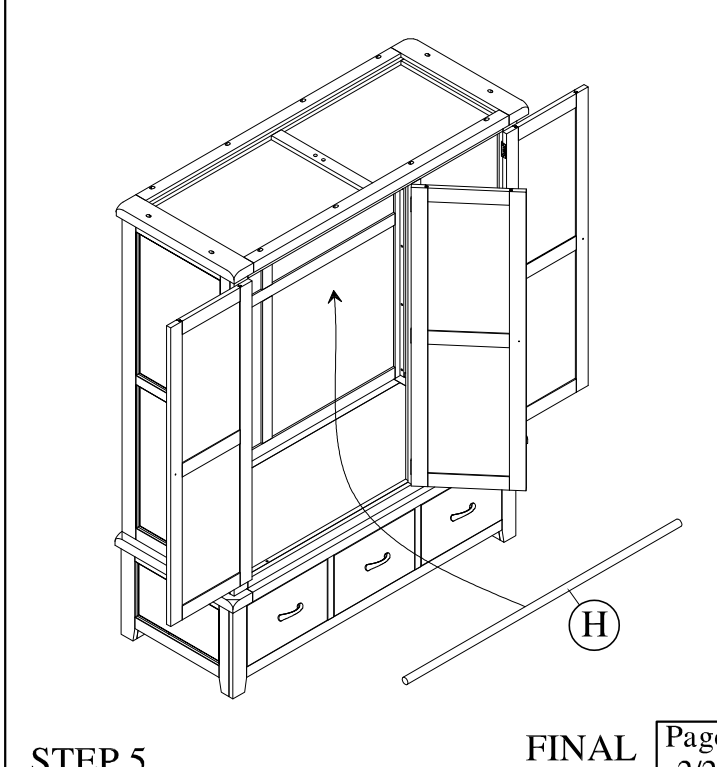
STEP 2



STEP 3



STEP 4



STEP 5

FINAL