


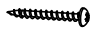
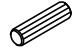




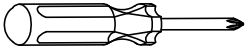
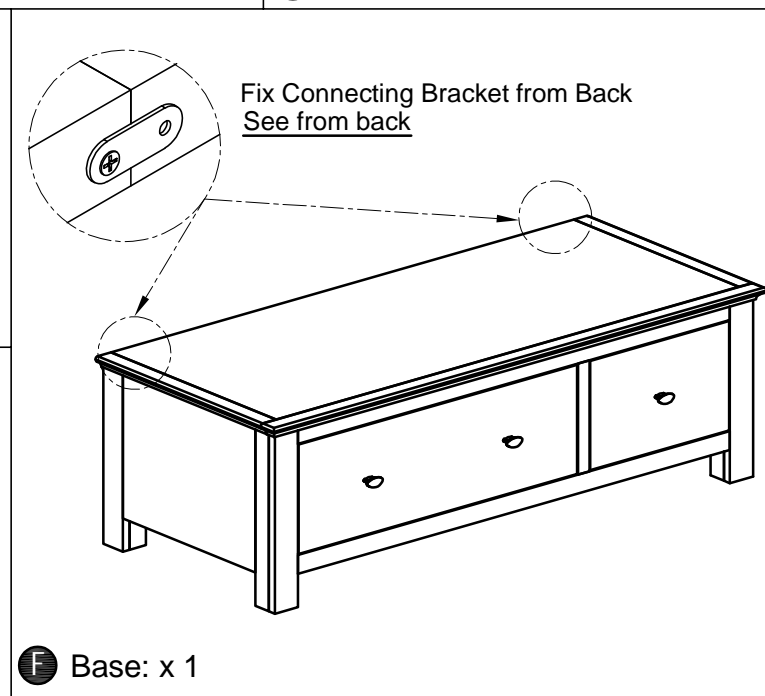
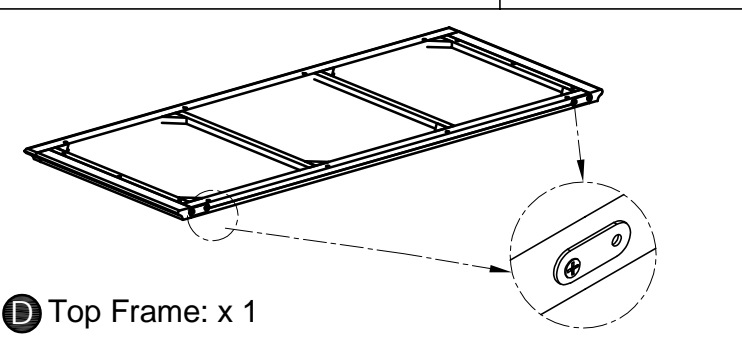
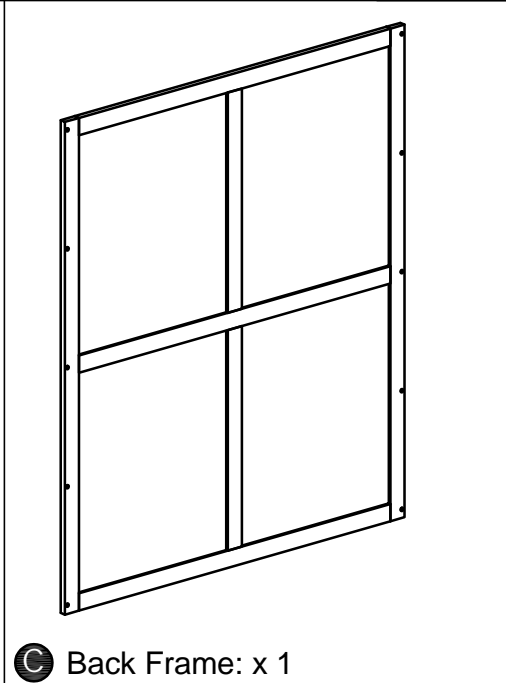
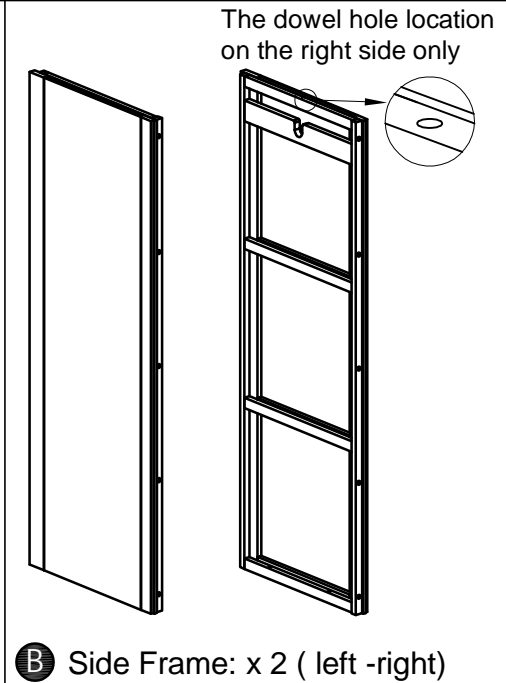
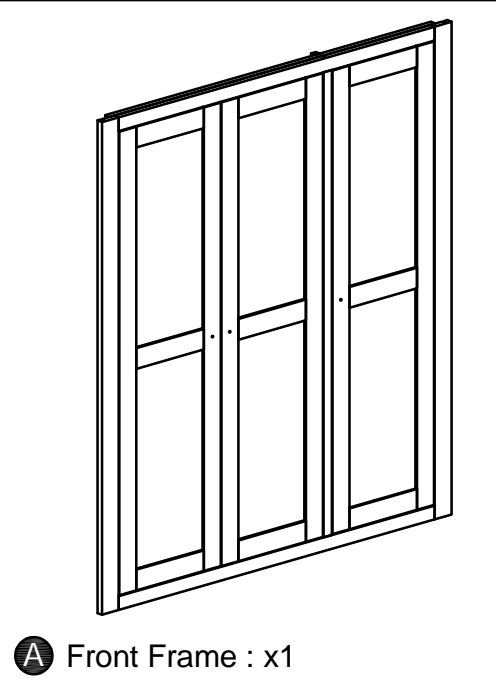
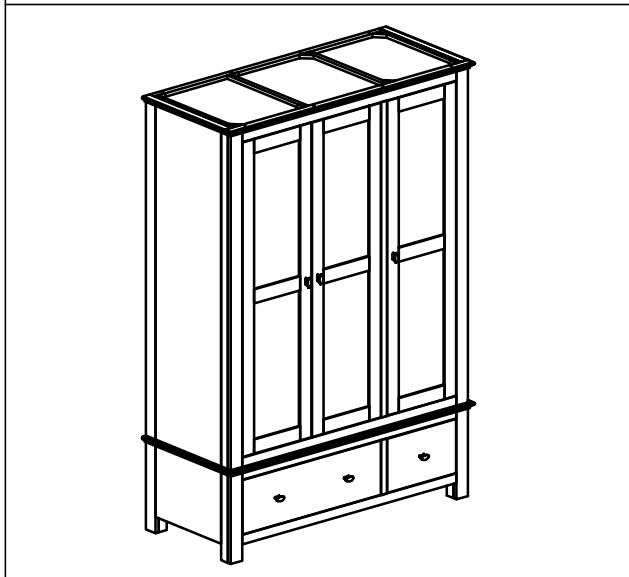


ASSEMBLY INSTRUCTION

MOR033-TRIPLE ROBE WITH 2 DRAWERS KD

No	LIST OF HARDWARE	Q.ty (pcs)
①	Bolts M6x30 	10
②	Flat Washers 	10
③	Allen key K4 	1
④	Screw Ø4 x 30 	28
⑤	Wooden Dowel Ø8x30 	1
⑥	Handles with Bolts 	3
⑦	Bracket 	2
⑧	Tie 	2
⑨	Screw Ø4 x 20 	6

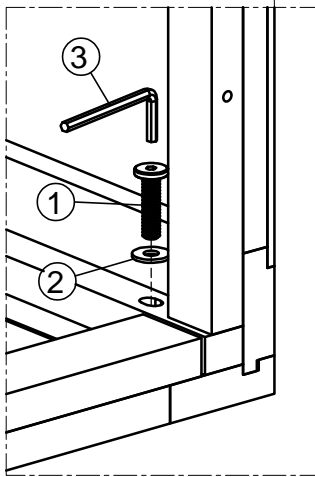
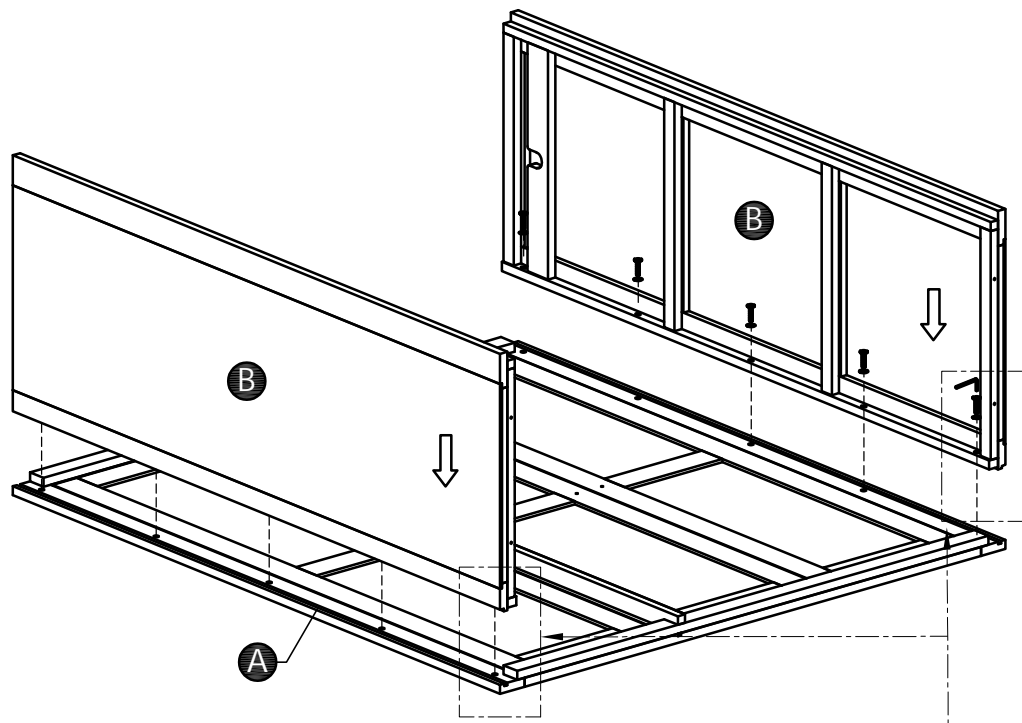
Screwdriver (not included) 



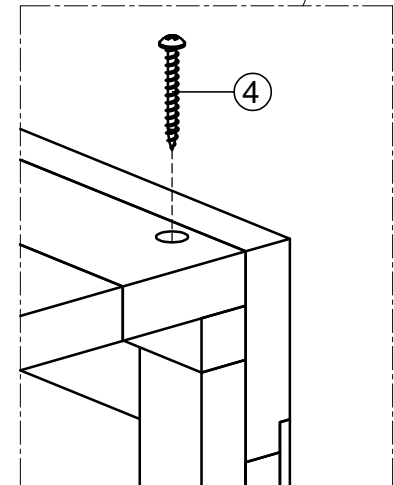
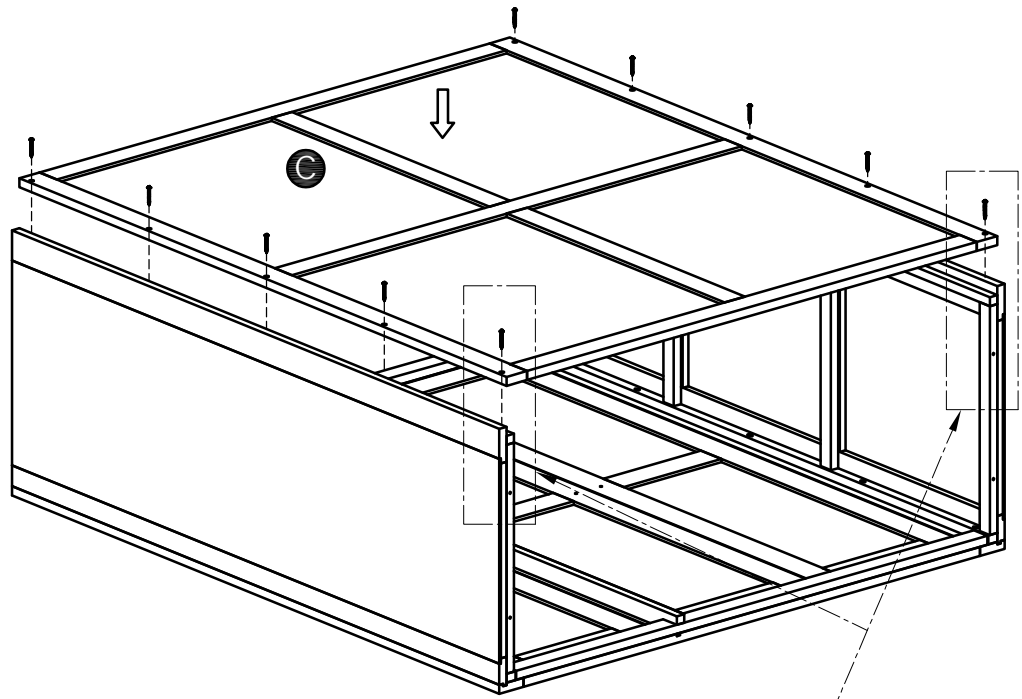
ASSEMBLY INSTRUCTION

MOR033-TRIPLE ROBE WITH 2 DRAWERS KD

STEP 1

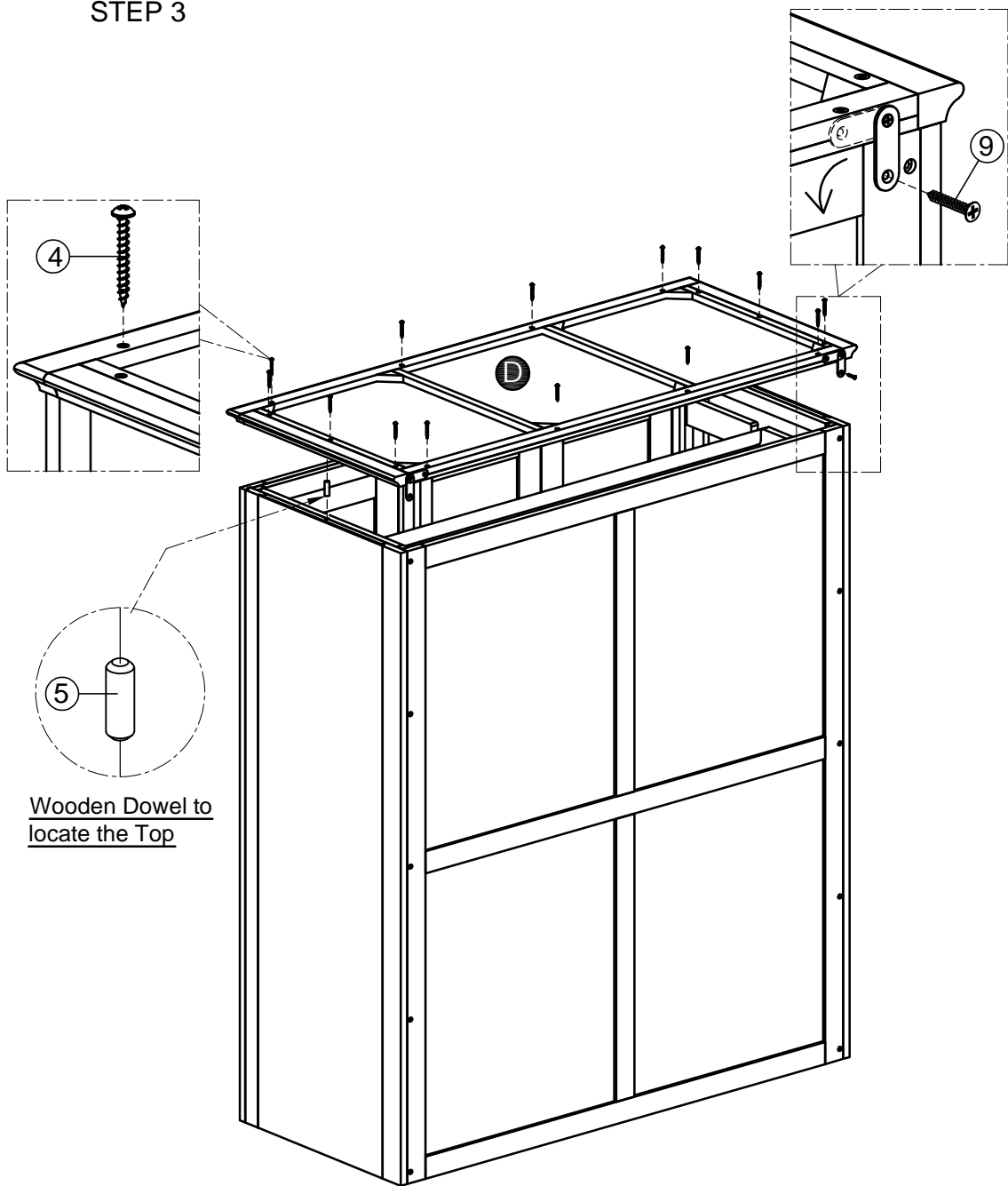


STEP 2



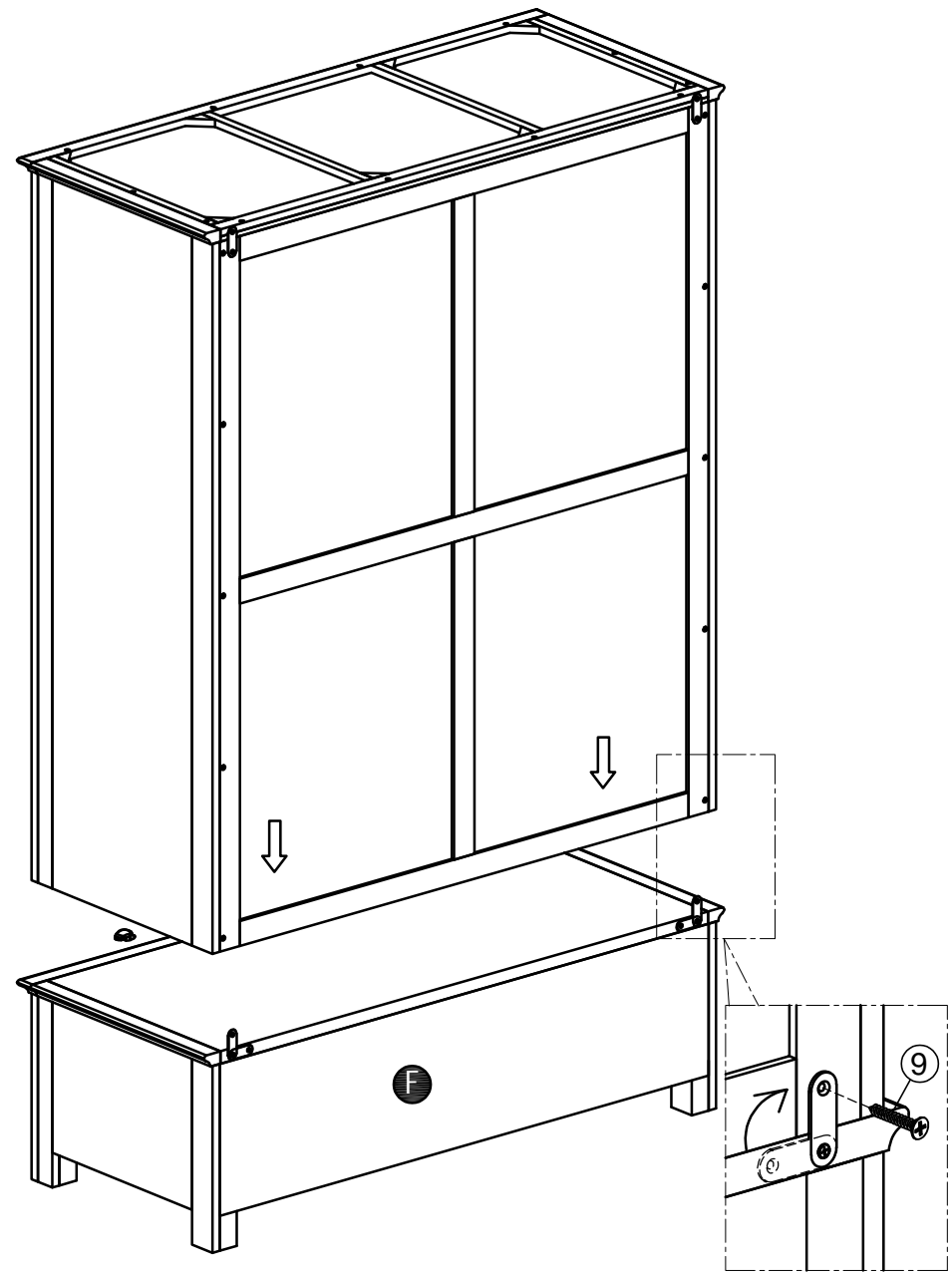
ASSEMBLY INSTRUCTION
MOR033-TRIPLE ROBE WITH 2 DRAWERS KD

STEP 3



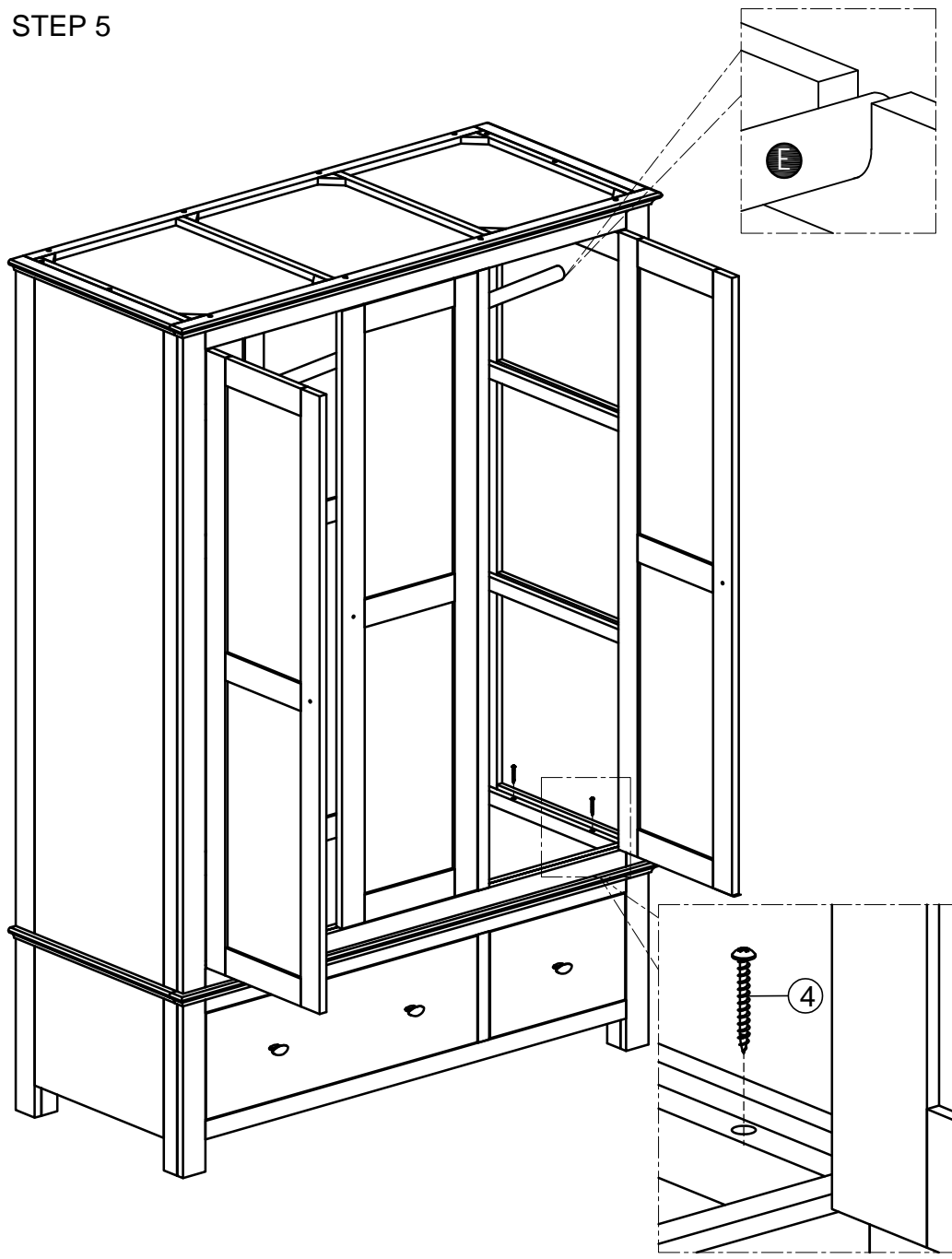
Wooden Dowel to locate the Top

STEP 4

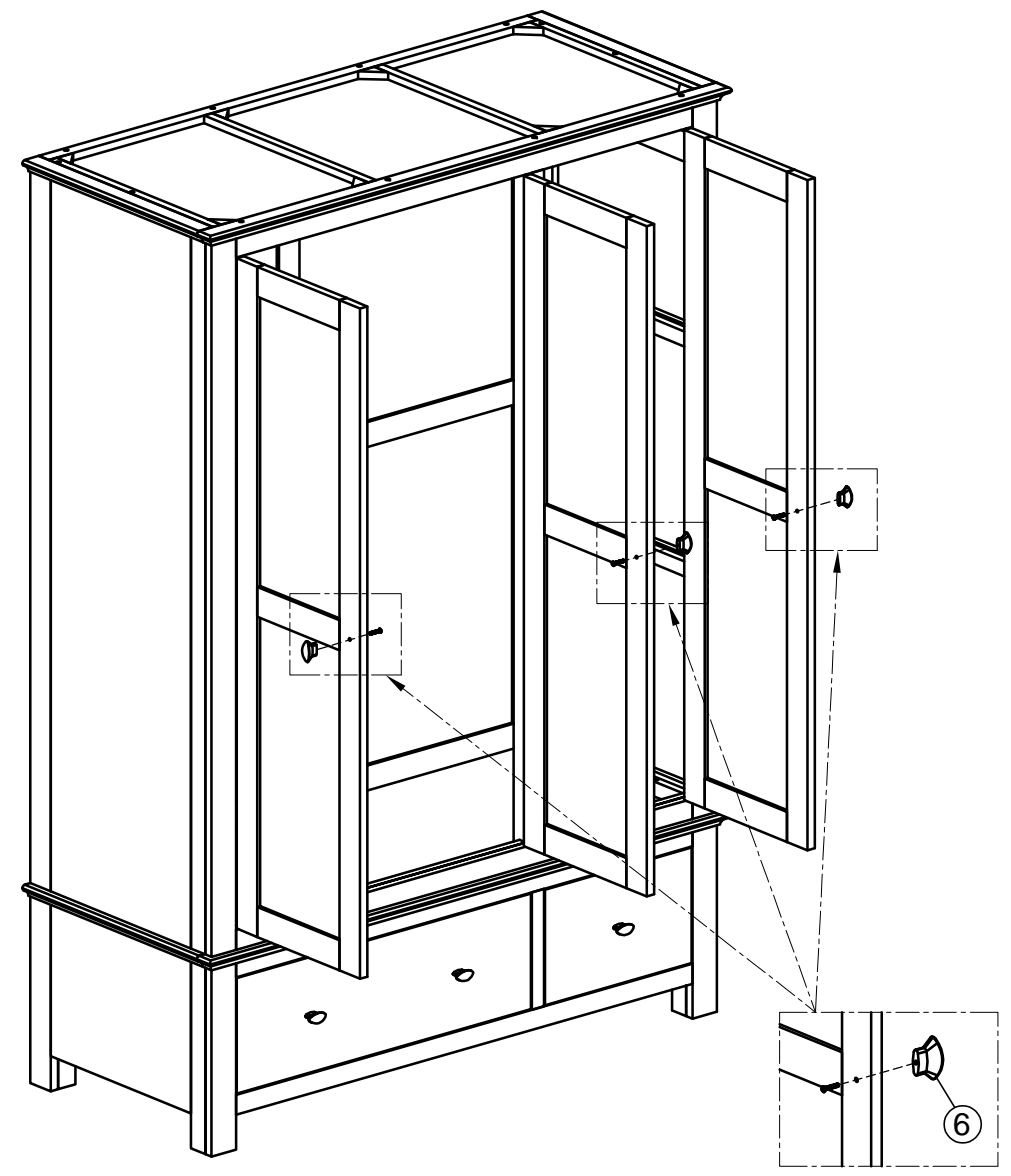


ASSEMBLY INSTRUCTION
MOR033-TRIPLE ROBE WITH 2 DRAWERS KD

STEP 5

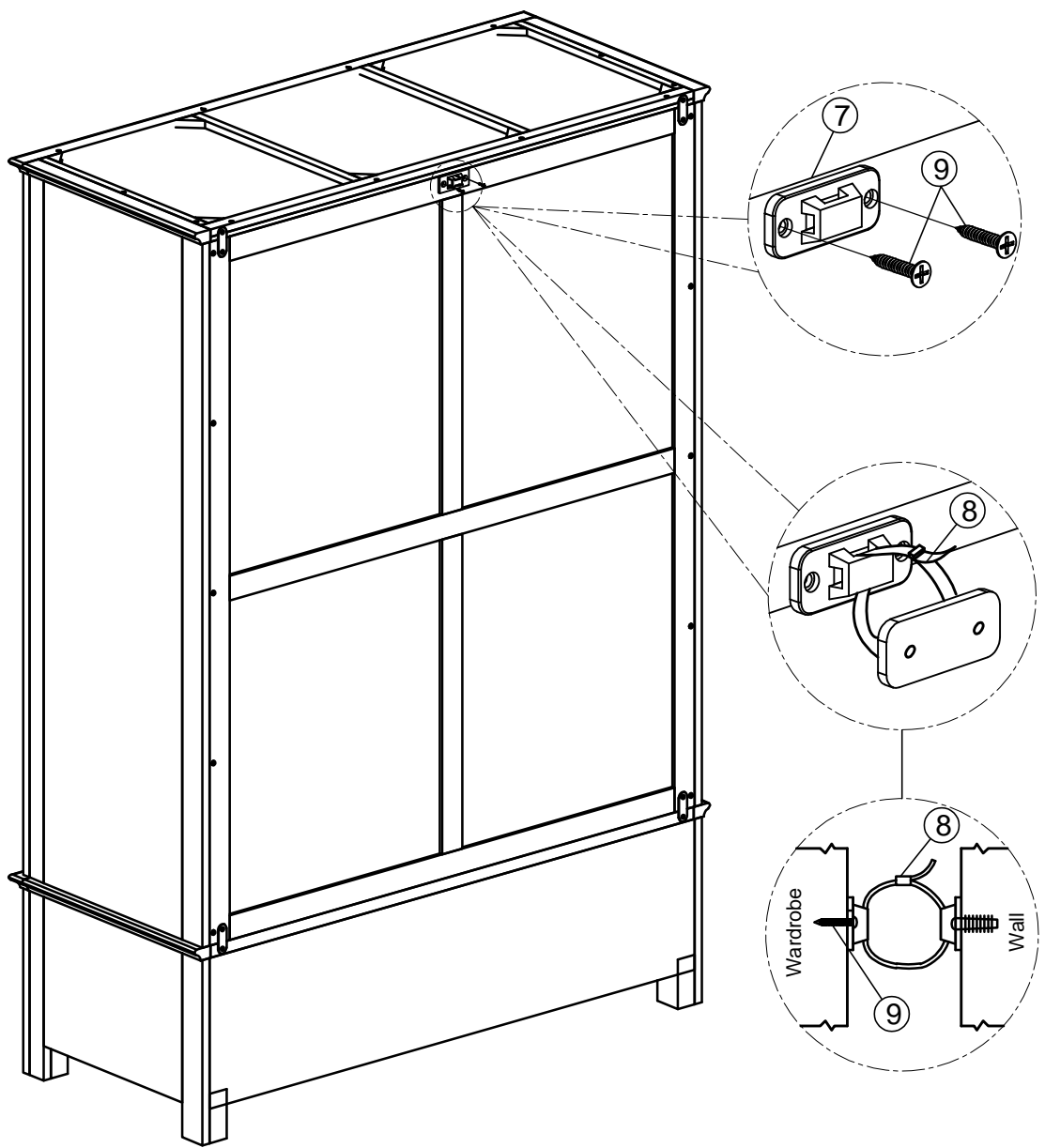


STEP 6



ASSEMBLY INSTRUCTION
MOR033-TRIPLE ROBE WITH 2 DRAWERS KD

STEP 7



FINAL

