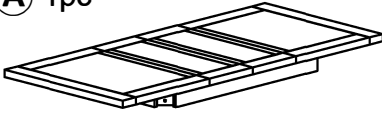
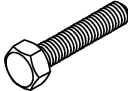
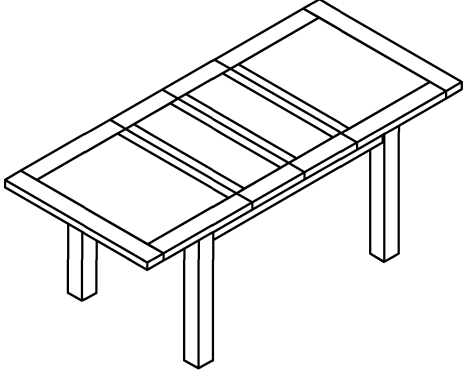
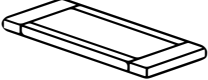

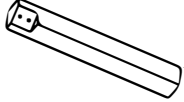


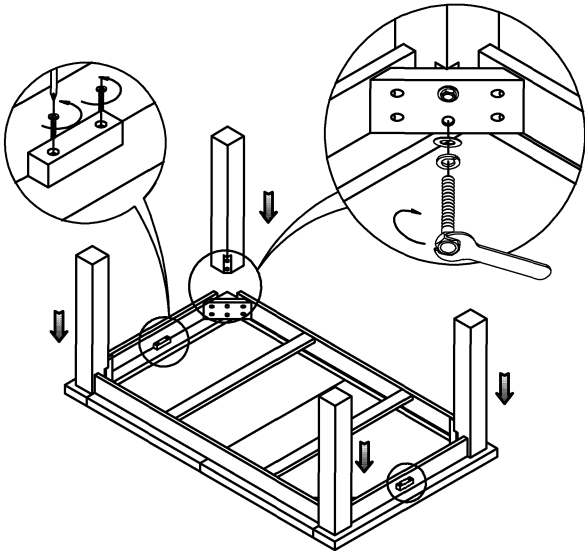


ASSEMBLY INSTRUCTION

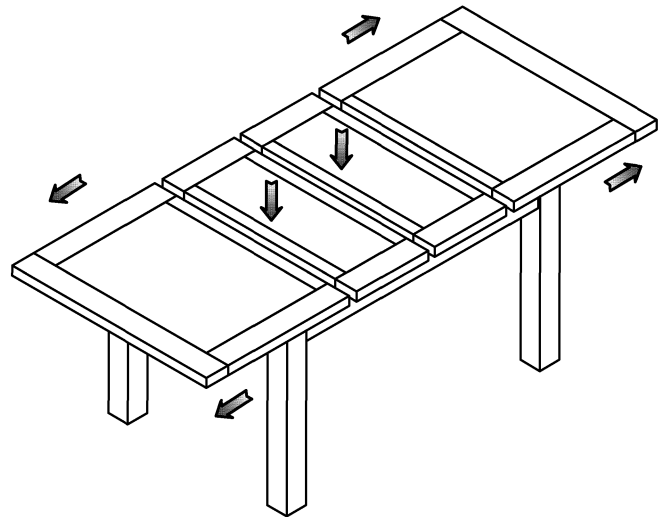
DINING TABLE WITH 2 EXTENSIONS 134 - 200 x 90

PART LIST	HARDWARE LIST	
(A) 1pc 	(1) M10x50 8pcs 	
(B) 2pcs 	(2) M10/M23 8pcs 	
(C) 4pcs 	(3) M10 8pcs  (4) K17 1pc 	

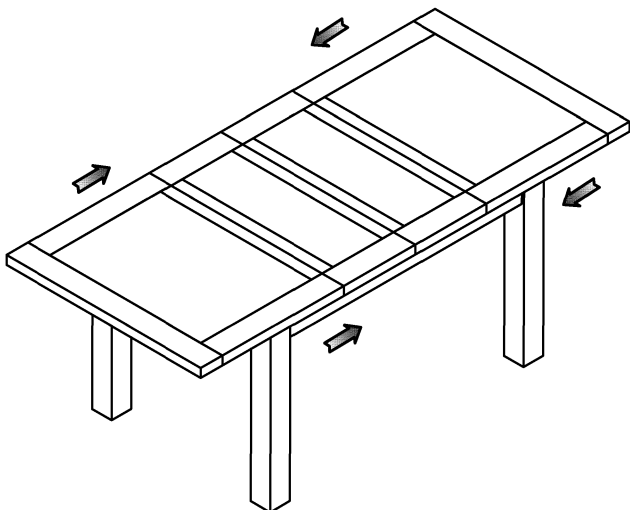
STEP 1 Transit fixing to be unscrewed.
Unscrew middle screw holding fixing to underside of top at each end of table.



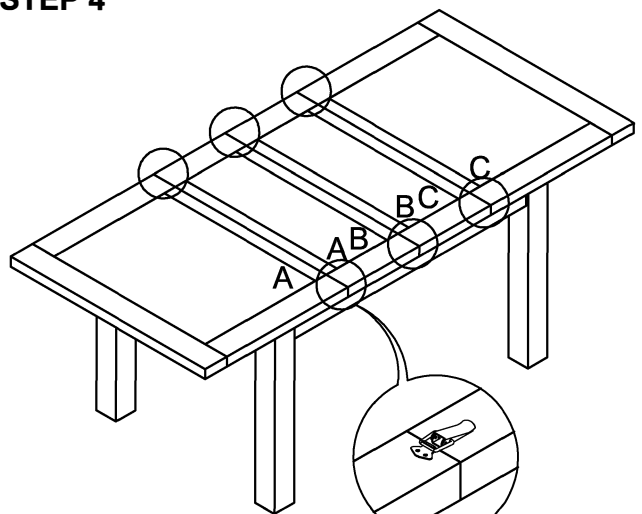
STEP 2



STEP 3



STEP 4



LOCK

Do not drag or push assembled table as this can cause damage to the legs

TRANSIT FIXING TO BE UNSCREWED

**UNSCREW MIDDLE SCREW HOLDING FIXING TO
UNDERSIDE OF TOP AT EACH END OF TABLE.**

The block can remain attached to the underside of the frame as it's unseen and will only leave a screw hole in the underside of the table top at each end.