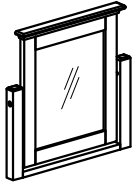






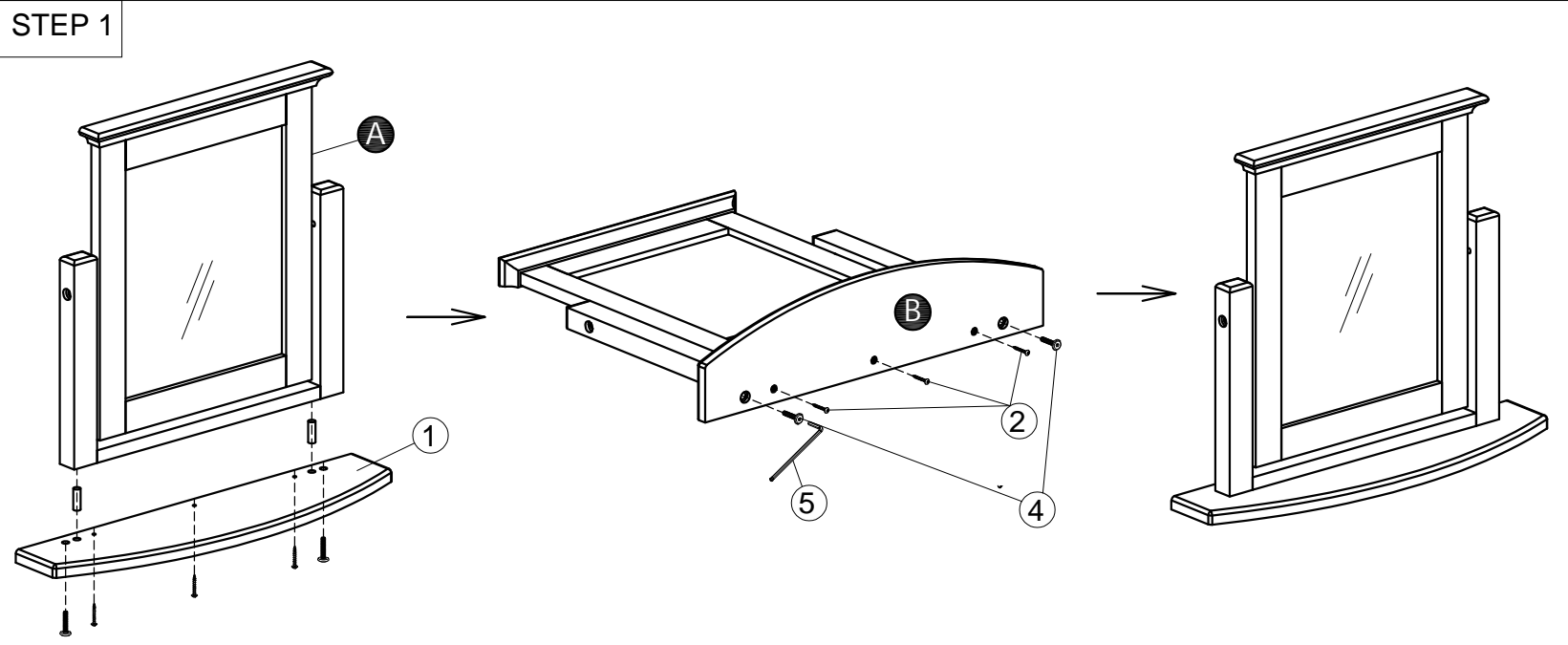



# ASSEMBLY INSTRUCTION

## MOR023-VANITY MIRROR WITH TOP CAP KD

No	Name of Component	Q.ty
<b>A</b>	 Mirror Frame	1
<b>B</b>	 Base	1
No	Name of Hardware	Q.ty
<b>①</b>	Wooden dowel 	2
<b>②</b>	Screws Ø4x30 	3
<b>③</b>	Screw Ø 4 x20 	2
<b>④</b>	Bolts M6x30 	2
<b>⑤</b>	Allen key K4 	1



Screwdriver (not included) 

### MIRROR WITH DRESSER

