

NEXT

Madeira Bed - W15708 / W45356

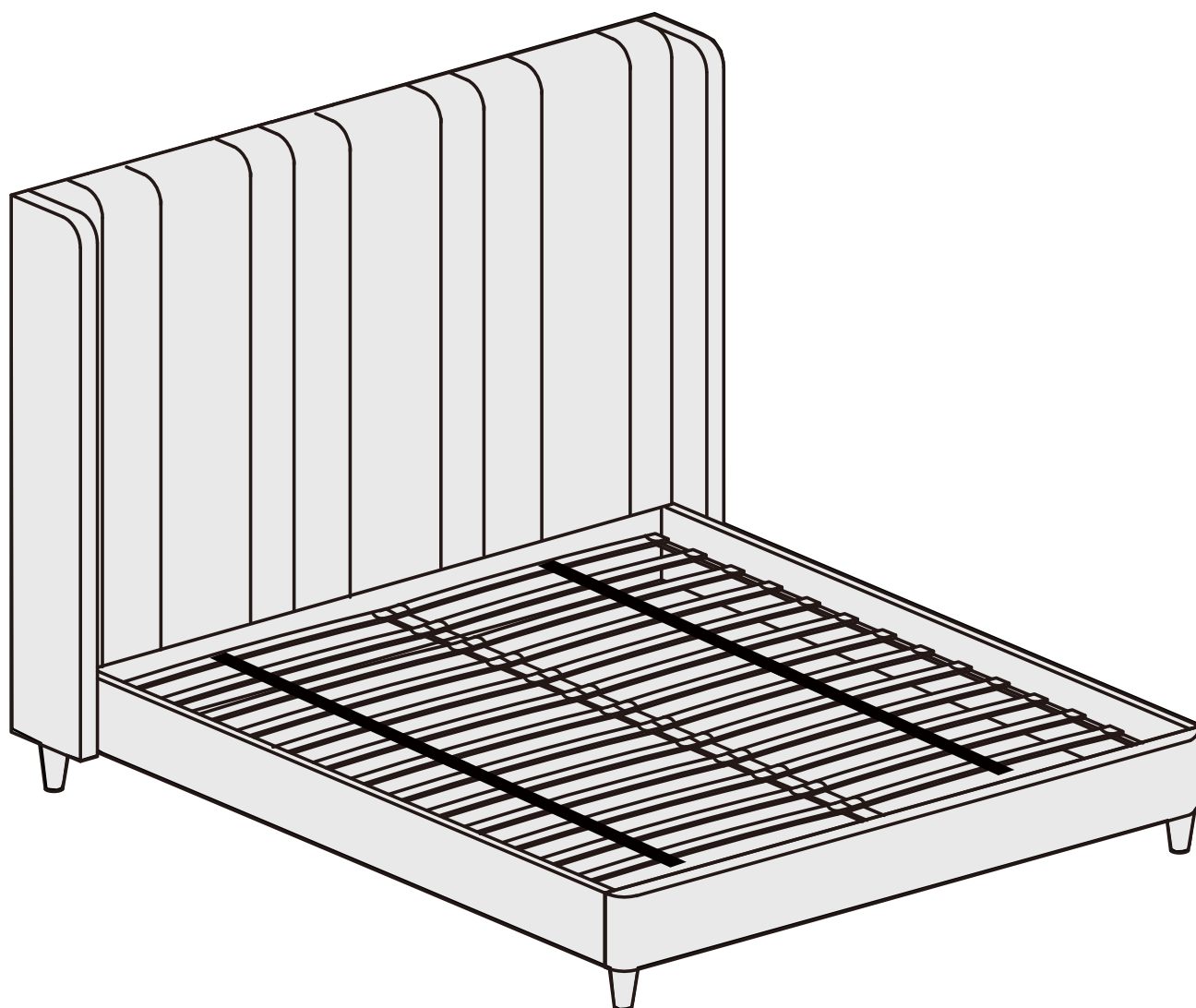
Assembly instructions

Actual product size

SMALL DOUBLE : H111 x W139 x L209cm

DOUBLE : H111 x W154 x L209cm

KING : H111 x W169 x L219 cm



Need Help?

With: Assembly instruction
Missing or damaged parts
CALL: 0333 777 8999

IMPORTANT - RETAIN FOR FUTURE REFERENCE

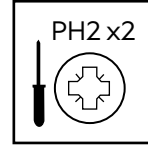
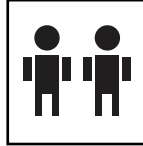
Madeira Bed – W15708 / W45356

Assembly instructions

BEFORE YOU START

Two people are required to assemble this item

Time to assemble: 90 minutes



Do's

Spend a short time reading through this leaflet before you start.

When you are ready to start, make sure that you have the right tools and plenty of space.

Due to the size of the product, we recommend that it is assembled in the room intended for use.

Unwrap all packaging materials and place the components on a clean surface to protect it from damage. We recommend that the packaging is used to protect the light coloured fabrics during assembly.

Carefully check that you have all the parts before beginning assembly.

Ensure the product is fully assembled as illustrated and all fixings are fully tightened before use. Check fixings regularly to ensure they remain tight.

When moving your assembled bed. Lift the bed and never to drag it.

Never allow any kind of liquid to remain on your furniture.

Absorption can cause materials to warp or finishes to de-laminate.

To clean your item, please use a vacuum or lightly brush clean.

Please note:

Periodically check the condition of your bed slats and plastic locating caps to ensure they are in good condition and have not become loose.

Missing parts

If you are missing any fixtures and fittings for your product. Please contact our customer service team on 0333 777 8999 and they will be happy to arrange for a replacement to be sent to you free of charge.

Warnings

Retain these instructions for future reference.

Keep fittings out of children's reach and keep children well away from construction area.

This product should only be used on firm level ground.

Periodically check all fittings and re-tighten as necessary.

Do not jump or stand on your bed.

Avoid exposing the furniture to excessive heat or direct sunlight as this can cause damage to the materials and deterioration of the colour.

Home Service Technicians

If you have a fault with your product, please contact our customer service team on 0333 777 8999. If you have had the product for 28 days or less, you may be offered a replacement, refund or for a fully trained home service technician to visit your home to assess the fault and repair the product where possible. If you have had the product for more than 28 days, we will send an independent home service technician to review and repair the product where possible and recommend further action.

You can write to us at

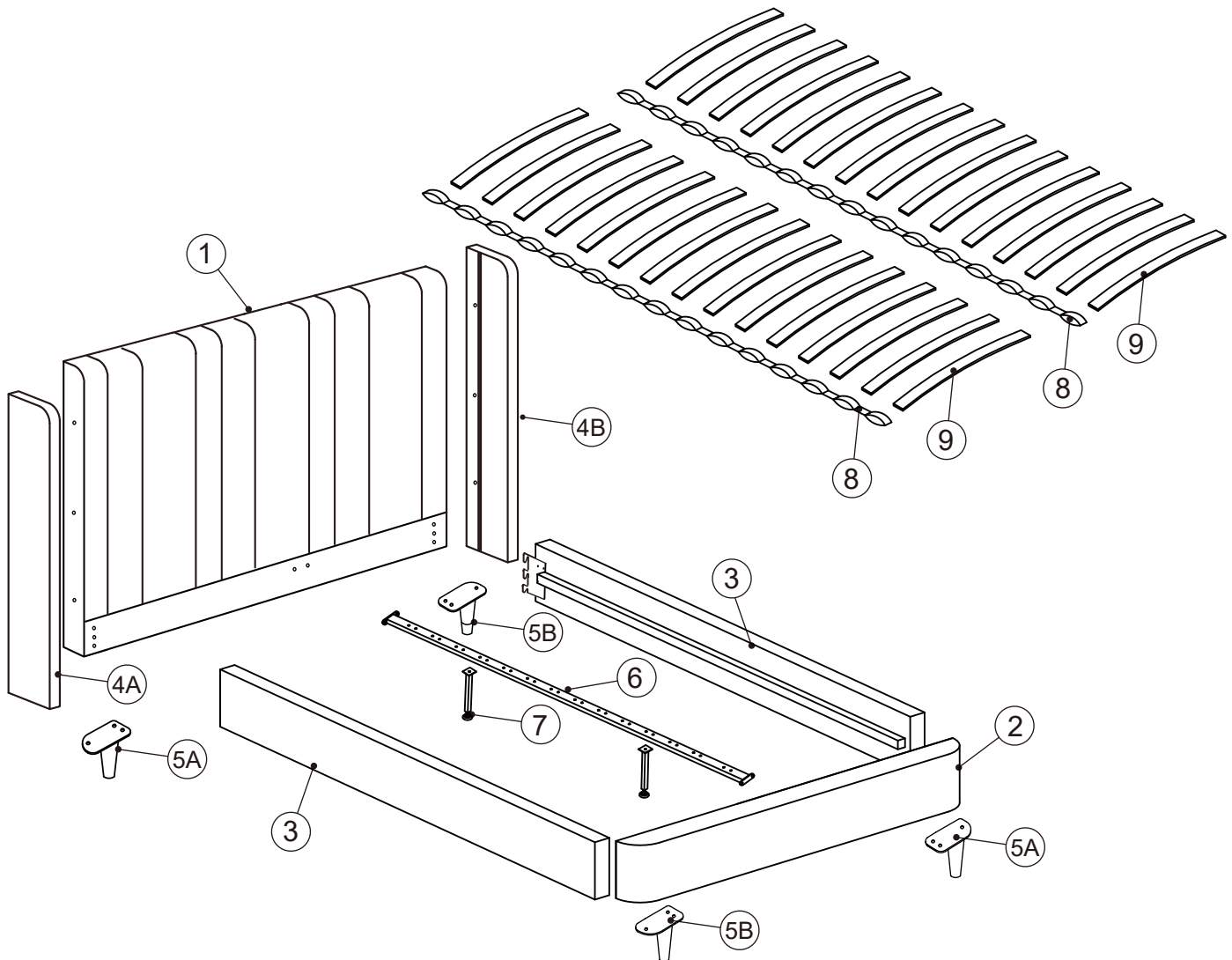
Home Customer Services
Next Retail Ltd
Desford Road,
Leicester,
LE19 4AT

To view our full furniture range
please visit www.next.co.uk

Need Help?

With: Assembly instruction
Missing or damaged parts
CALL: 0333 777 8999

GETTING TO KNOW YOUR PRODUCT



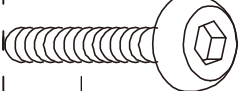


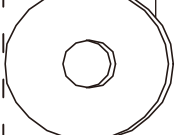
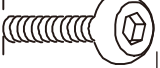
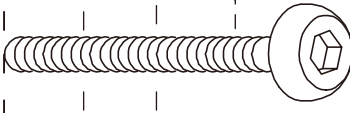
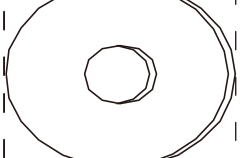

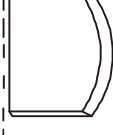
Components supplied. Please use this guide if you require replacement parts.


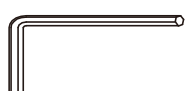
Ref	Dimension	Visual	Qty	Box
1	Small Double:131 x 90cm Double:146 x 90cm King :161 x 90cm		1	1
2	Small Double:130 x 21cm Double:145 x 21cm King :160 x 21cm		1	2
3	Small Double:192 x 20cm Double:192 x 20 cm King :202 x 20cm		2	2
4A	90.5 x 15 cm		1	2
4B	90.5 x 15 cm		1	2
5A	19.7 x 12 cm		2	2
5B	19.7 x 12 cm		2	2

Ref	Dimension	Visual	Qty	Box
6	Small Double:192 x 4 cm Double:192 x 4 cm King :202 x 4 cm		1	2
7	30 x 2.5 cm		2	2
8	Small Double:192 x 4 cm Double:192 x 4 cm King :202 x 4 cm		2	2
9	Small Double:60 x 6 cm Double:68 x 6 cm King :75.5 x 6 cm		30 30 32	1

Madeira Bed - W15708 / W45356

Assembly instructions

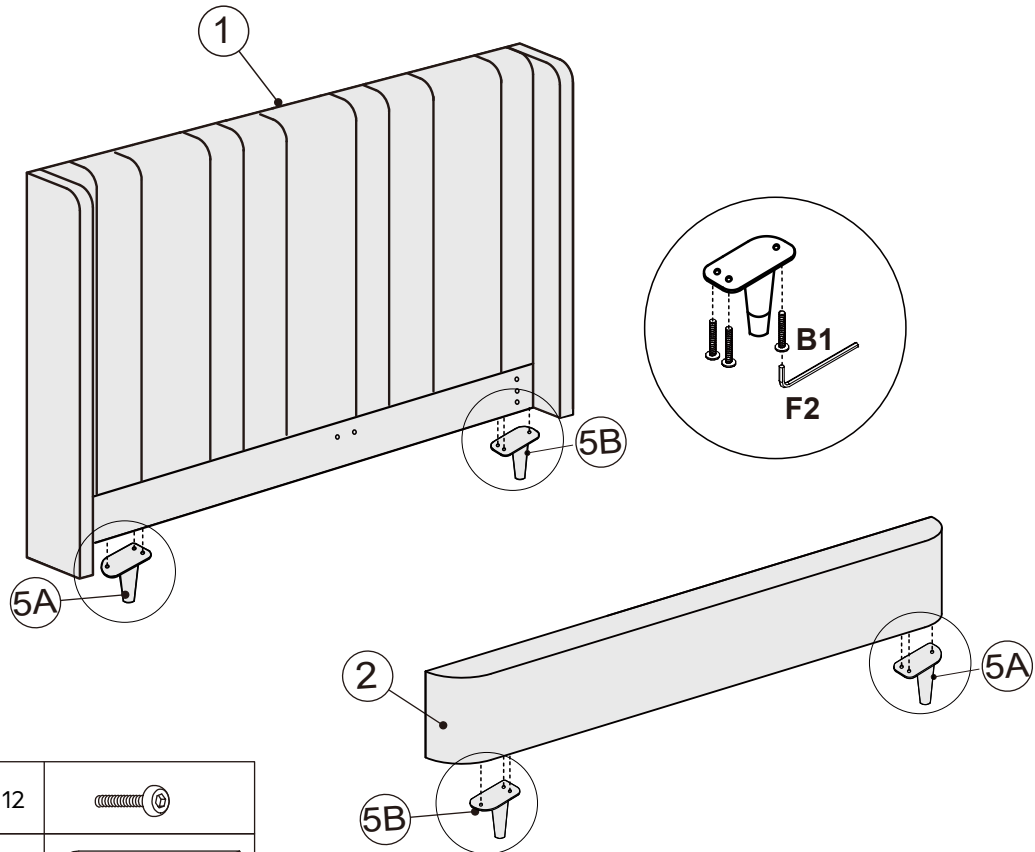
Fixtures and fittings supplied (actual size)				mm 10 20 30 40 50 60 70 80 90 100 110 120 130															
Ref	Dimension	Qty	SPare																
A2	8x30mm (Black)	16	2																
B4	6x35mm (Black)	2	1																
K	8x14mm (Black)	22	2																
D3	8x22mm (Black)	22	2																
B1	6x20mm (Black)	12	1																
A5	8x45mm (Black)	6	1																
D6	6x30mm (Black)	2	1																
H2	65x56mm	Small Double 15 Double 15 King 16	1																
H1	65x30mm	Small Double 30 Double 30 King 32	2																

Fixtures and fittings supplied(not to scale)			
Ref	Qty	Spare	Visual
F2	2	N/A	
F1	2	N/A	

Madeira Bed - W15708 / W45356

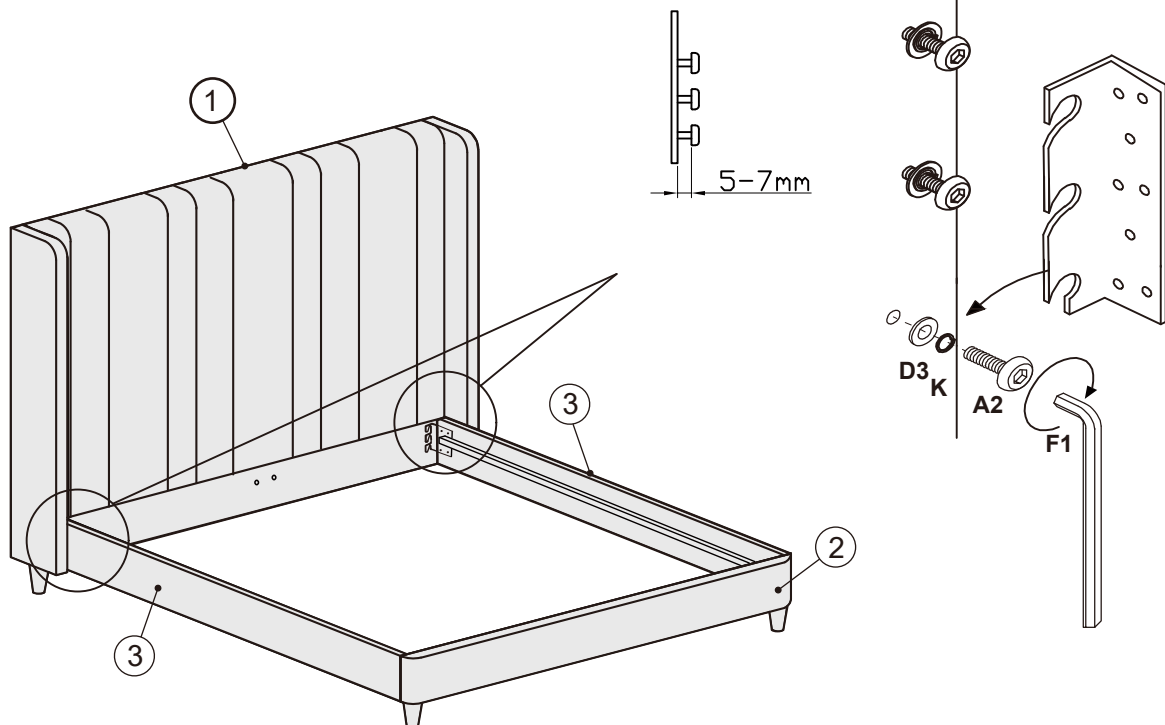
Assembly instructions

1.



B1	6x20mm	12	
F2	4x60mm	1	

2.

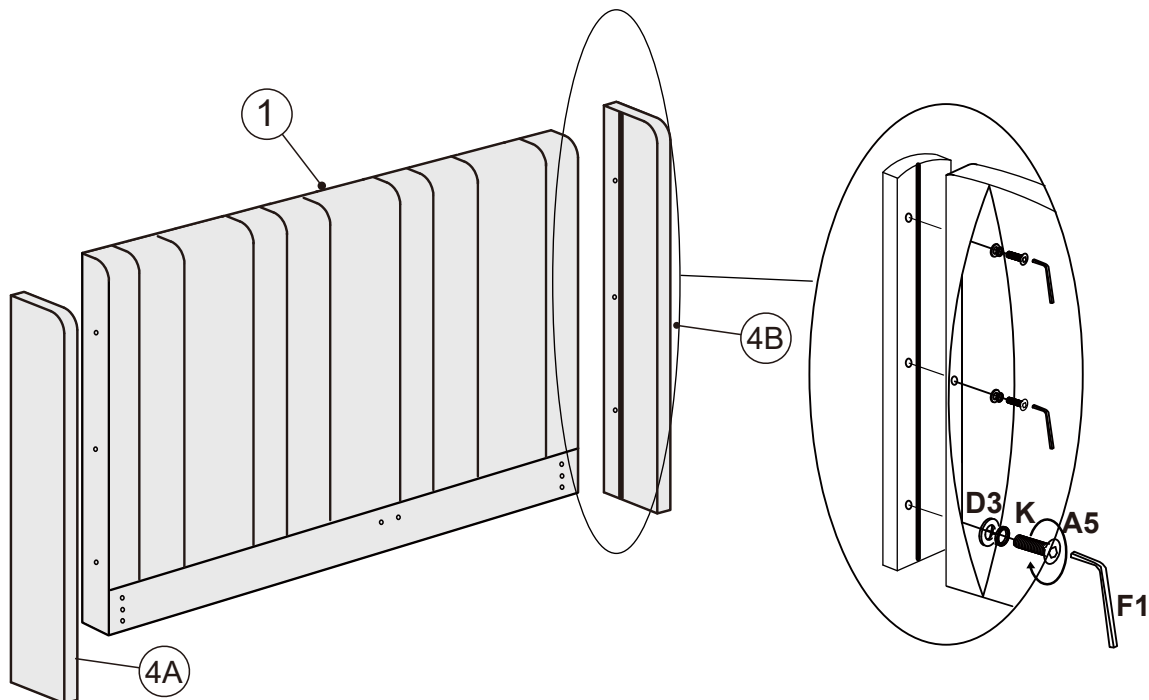





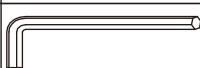
A2	8x30mm	12		D3	8x22mm	12	
F1	5x60mm	1		K	8x14mm	12	

Madeira Bed - W15708 / W45356

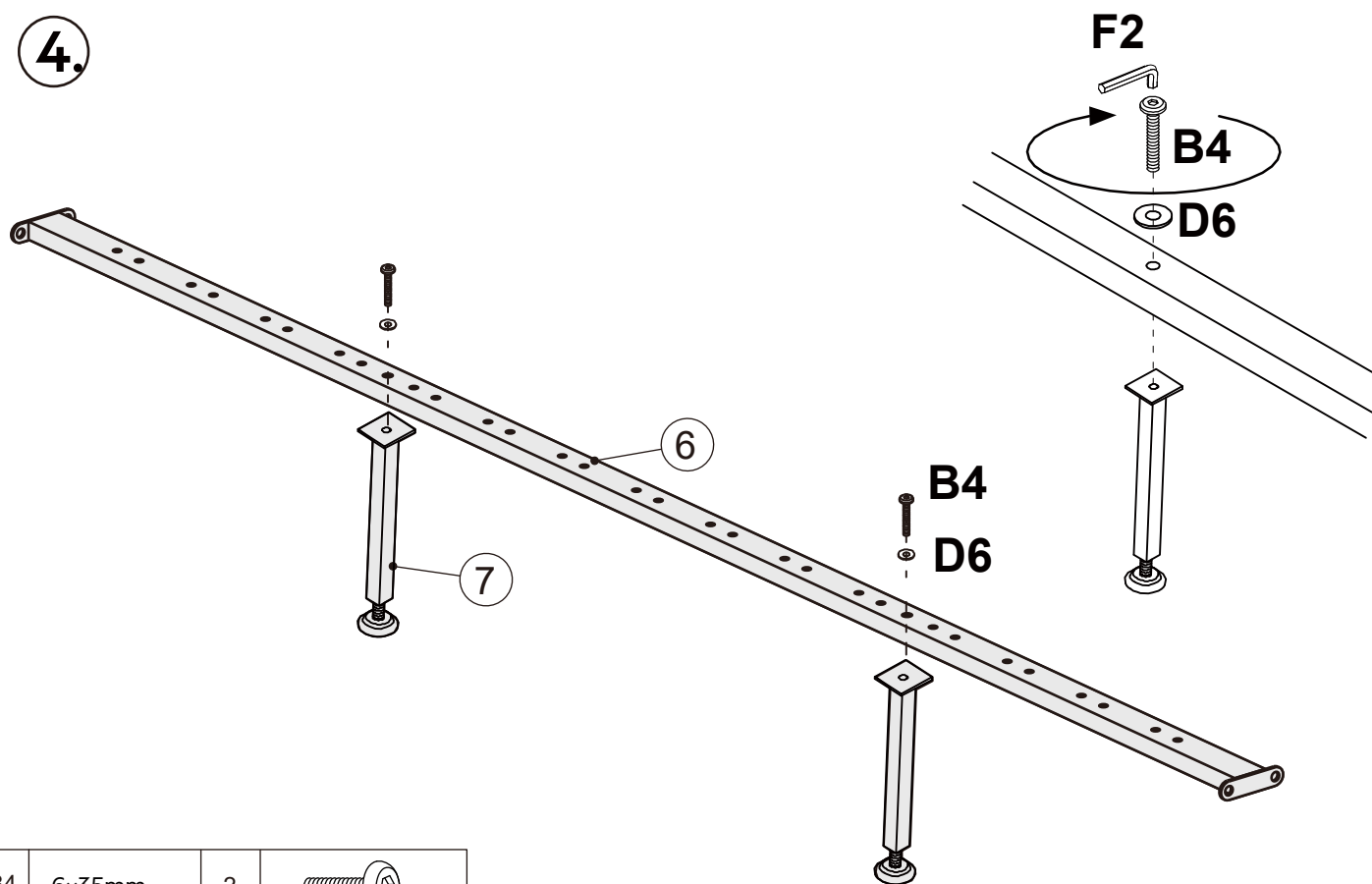
Assembly instructions

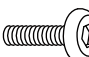


3.



A5	8x45mm	6		D3	8x22mm	6	
K	8x14mm	6		F1	5x60mm	1	

4.

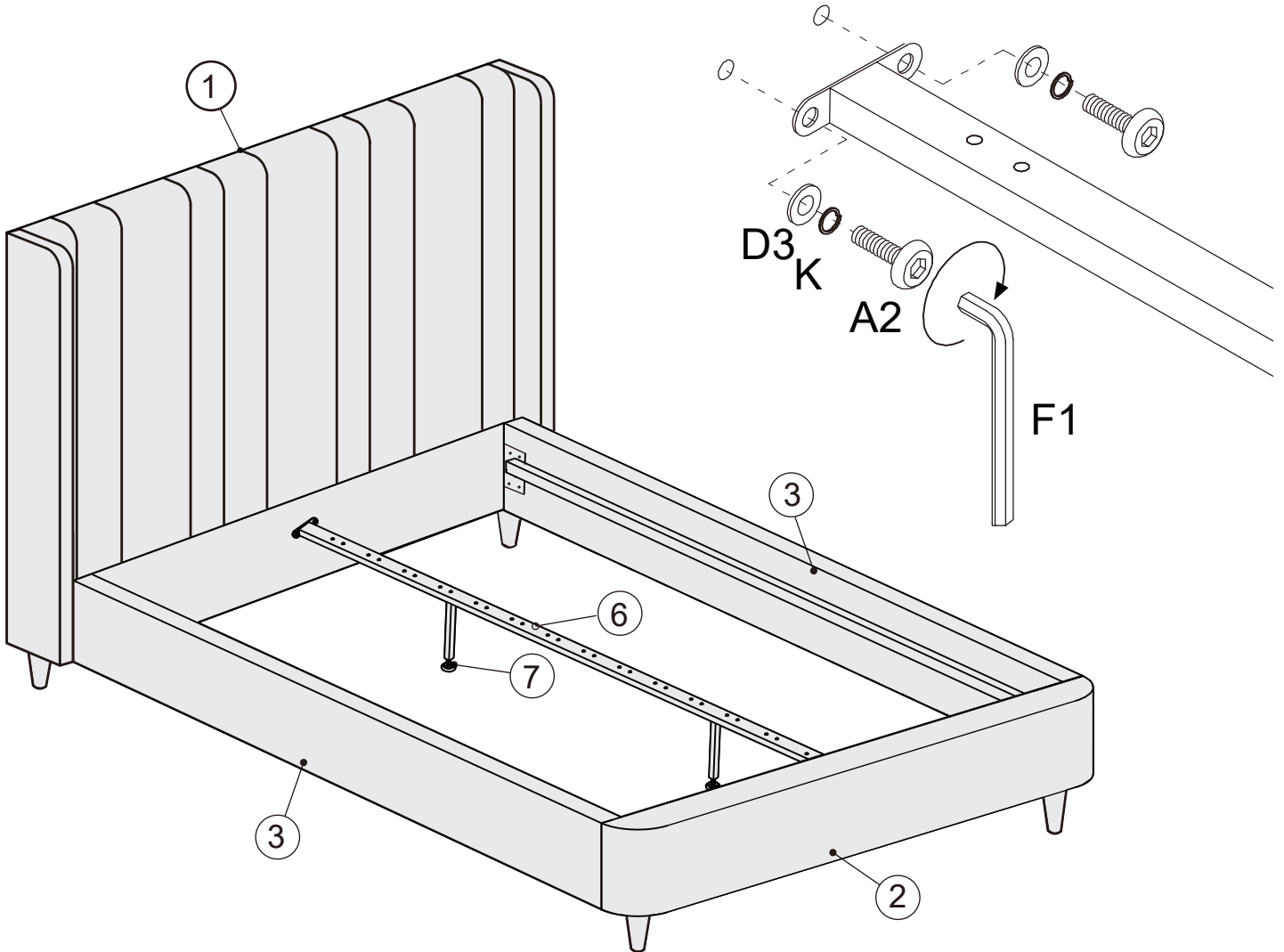


B4	6x35mm	2					
D6	6x30mm	2		F2	4x60mm	1	

Madeira Bed - W15708 / W45356

Assembly instructions

5.



WARNING!





Once the feet have been assembled and attached, they should be adjusted to ensure they do not touch the floor (5mm above the floor) to allow for movement once the mattress is placed on the frame.

It is important to note that when moving the bed that it is not dragged into its new position to prevent the possibility of these feet being twisted or angled to one side, which could lead to the collapse of the bed.

To move the bed, remove the mattress and lift the bed into its new position to avoid damage.

Ensure the feet at 90° to the floor before replacing the mattress.

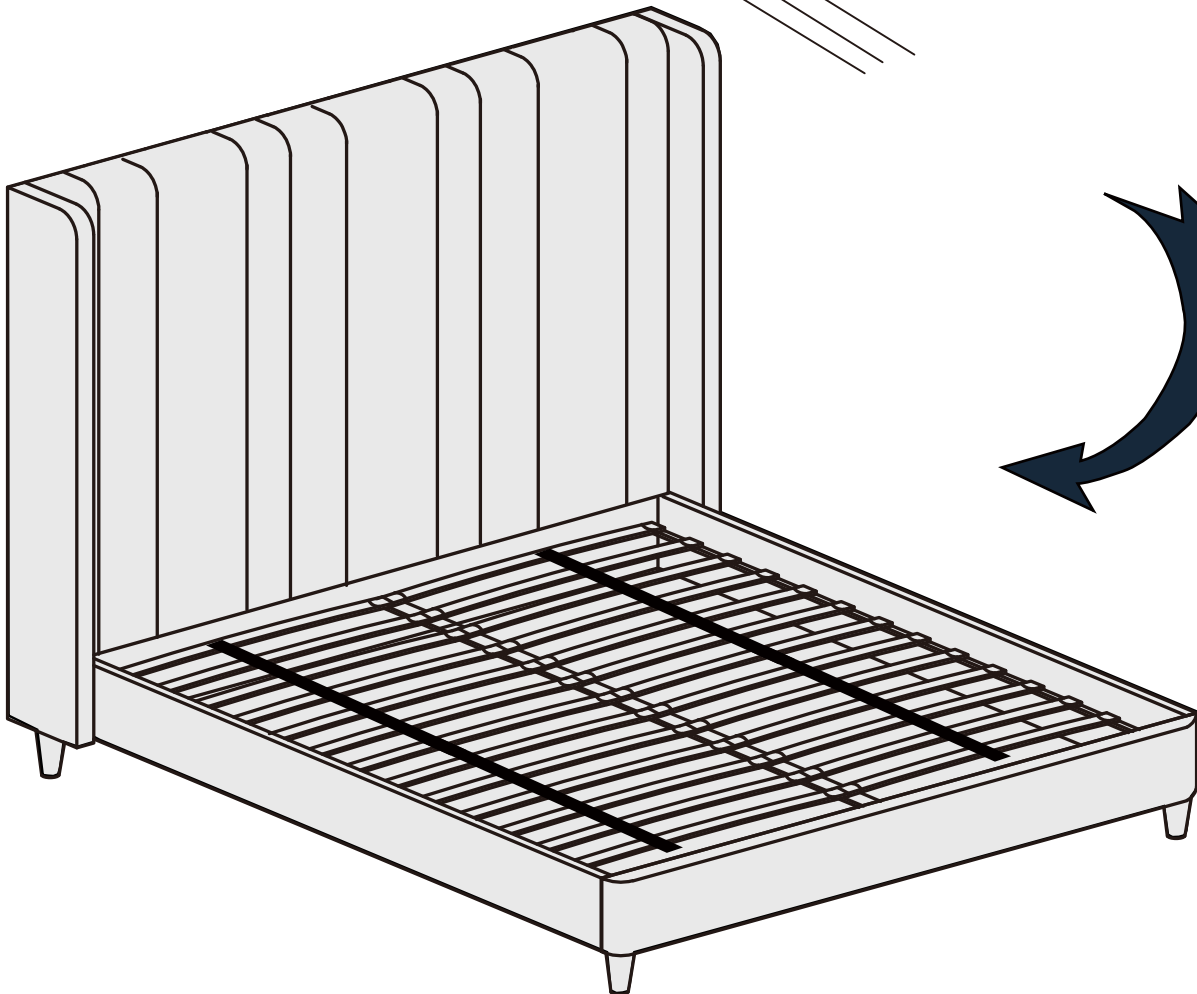
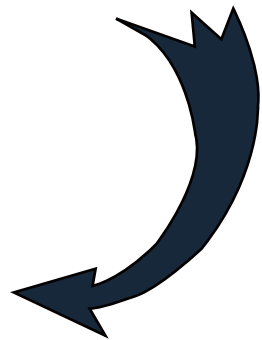
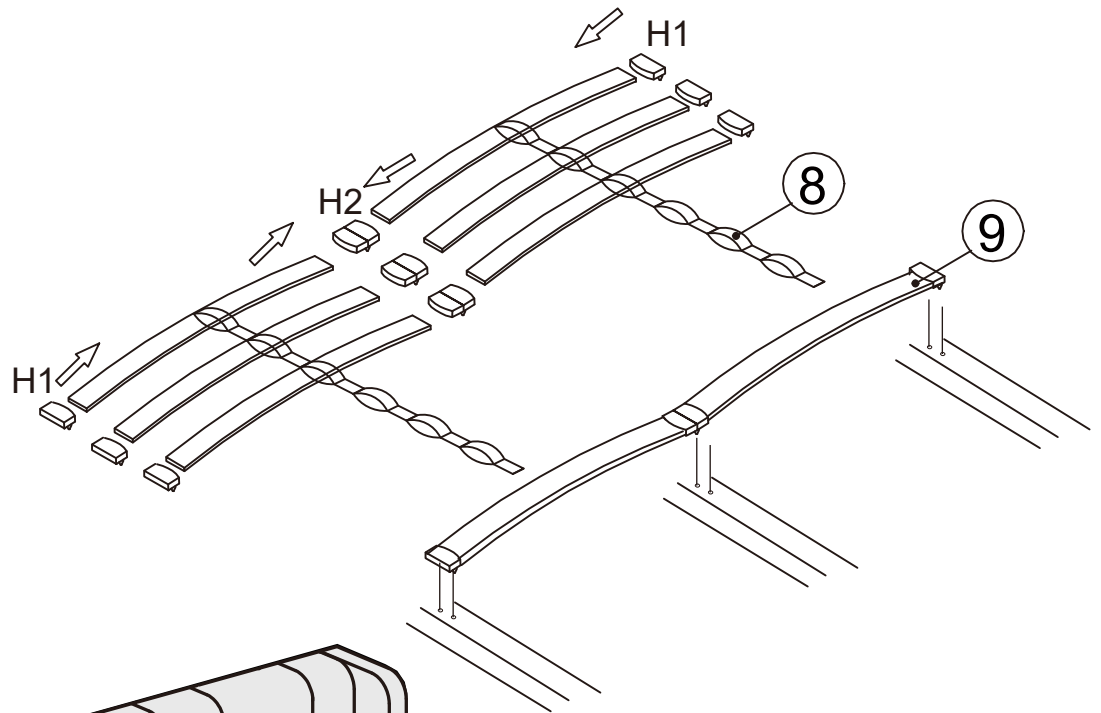


A2	8x30mm	4		F1	5x60mm	1	
D3	8x22mm	4		K	8x14mm	4	

Madeira Bed - W15708 / W45356

Assembly instructions

6.



H2	Small Double	15	
	Double	15	
	King	16	
H1	Small Double	30	
	Double	30	
	King	32	

NEXT

Madeira Bed - W15708 / W45356

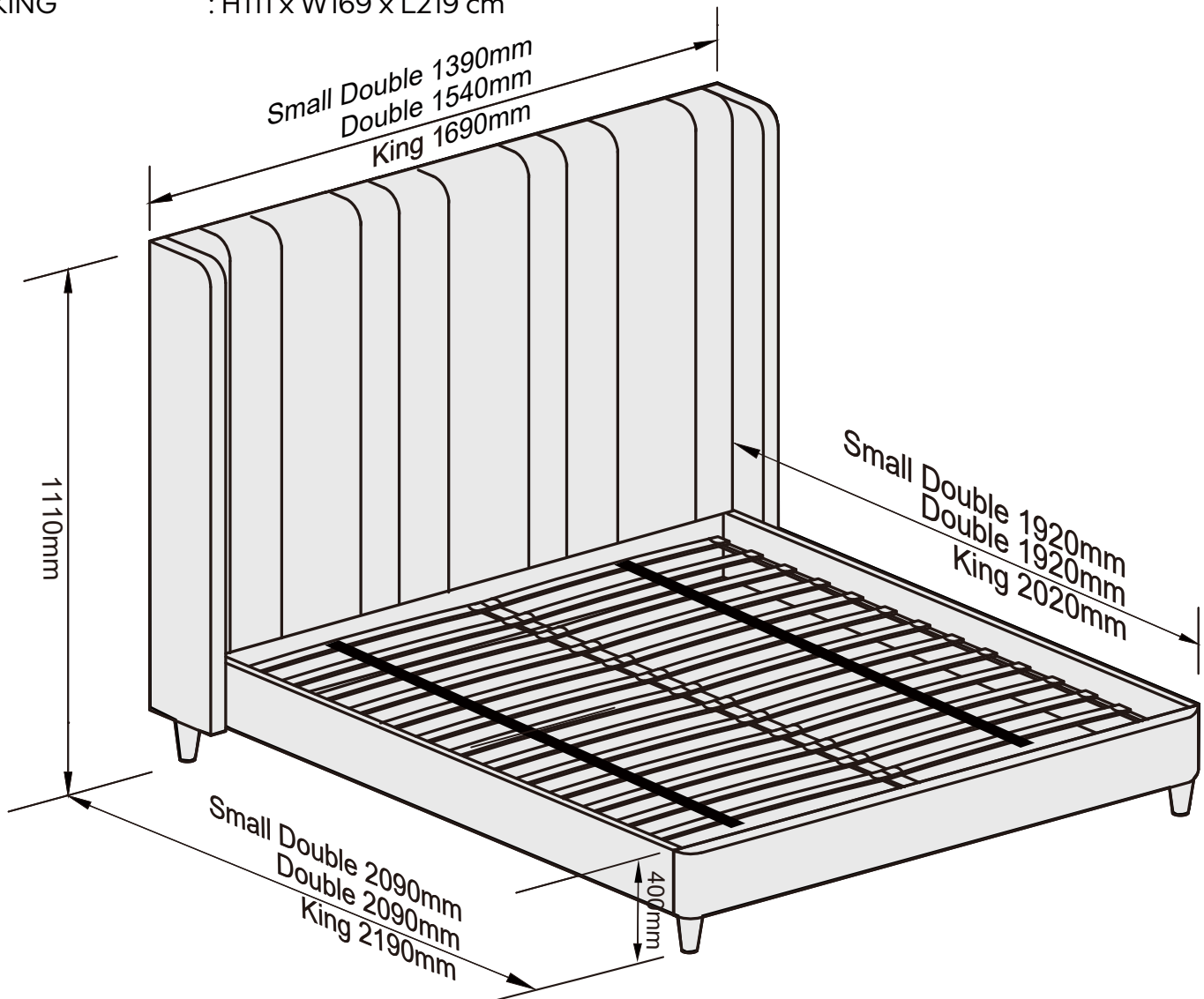
Assembly instructions

Actual product size

SMALL DOUBLE : H111 x W139 x L209cm

DOUBLE : H111 x W154 x L209cm

KING : H111 x W169 x L219 cm



Delivery Box Sizes(CM):Height x Width x Depth

	Small Double*	Double*	King*
Box 1	135x116x11	150x116x11	165x116x11
Box 2	228x28x25	228x28x25	238x28x25

*Sizes available may vary depending on Colour / Fabric.