

BEFORE YOU GET STARTED...

We're confident you'll love your gorgeous new Next furniture. However, it's worth making absolutely certain before you put it all together.

So, let's quickly run through these three steps:

1. COLOUR

Make sure you're happy with the colour
No need to unpack everything, just check the first component.

2. PROTECTIVE PACKAGING

If you're happy, then it's time to get opening! Start by laying everything out on the protective packaging – this will prevent anything getting scratched.

3. PARTS PAGE

Finally, double check you have all the pieces by referencing the parts page of the instructions.

TIPS FOR RETURNS

Not completely happy with the product? No problem. We just need everything back in the original packaging, so follow the steps below and this will ensure a super-smooth returns process and no delay to your refund.

DO



- Check everything is there (the 'parts page' is a handy checklist).
- Pop all the loose fittings and fixtures into the packaging provided or tie them up in a plastic bag.
- Wrap all the big components back up in the original protective packaging.
- Close up the box and seal it securely (don't be afraid to use plenty of tape).

DON'T



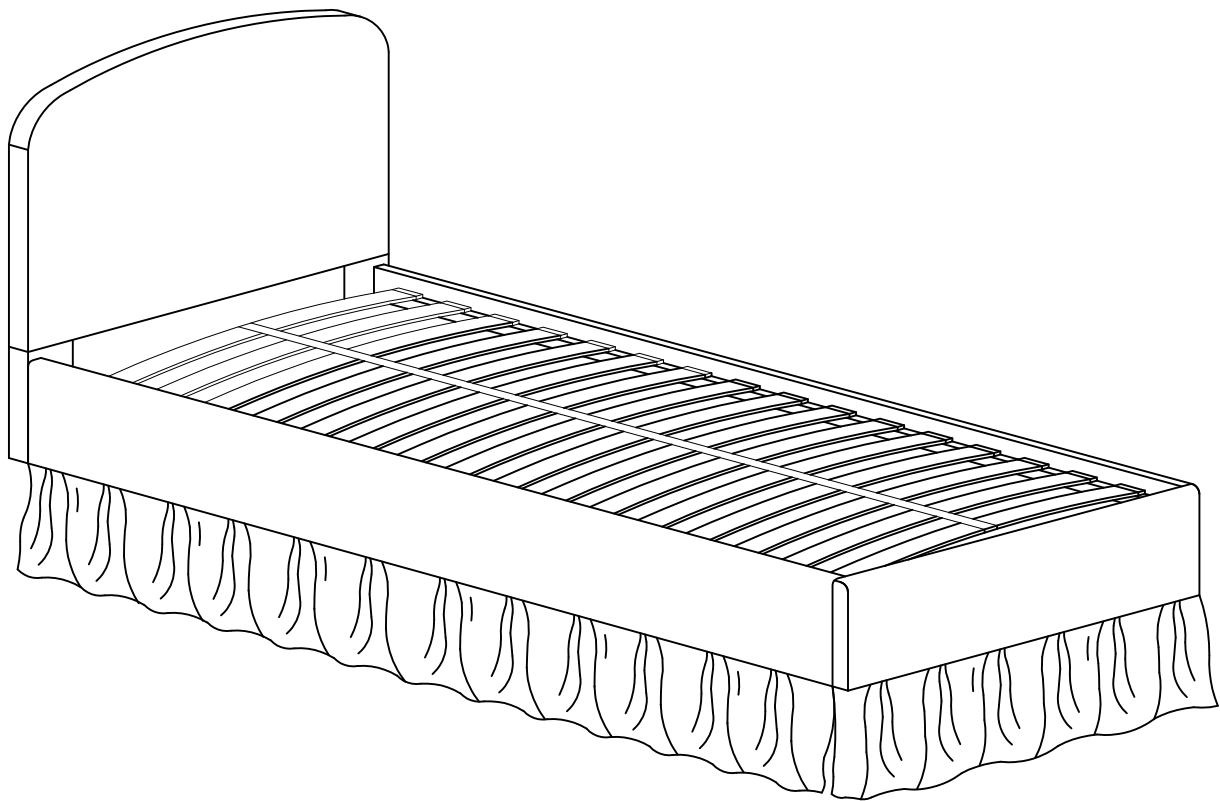
- Leave anything assembled - all components should be dismantled and separately packed.
- Put loose fixtures and fittings straight into the box.
- Throw it back in the box carelessly – as it may get damaged.

**NEXT
HOME**

Then just give us a call on 0333 777 8999 and we'll sort out a pick up time for you.

Assembly instructions

Actual product size
W102cm X L207cm X H105cm



Item number	Fabric name	Fabric composition
W58223	Opulent Velvet Pink Gingham Print	100% polyester

Need Help?

With: Assembly Instructions
Missing or damaged parts
CALL: 0333 777 8999

IMPORTANT - RETAIN FOR FUTURE REFERENCE

Assembly instructions

BEFORE YOU START

Number of people required to assemble

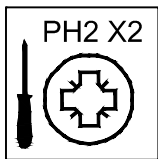
Two people are required to assemble this item



Time to assemble : 1.5 hours



Tools required



not supplied

Do's

When you are ready to start, make sure that you have the right tools and plenty of space.

Due to the size of the product we recommend that it is assembled in the room intended for use.

Unwrap all packaging materials and place the components on a clean surface to protect it from damage.

We recommend that the packaging is used to protect the surfaces during assembly.

Carefully check that you have all the parts before beginning assembly.

Please periodically check all fittings and re-tighten as necessary.

To clean your item, wipe with soft cloth slightly dampened with water. Then buff with a dry clean cloth.

Routinely check that the fittings are secure and tighten any fittings using the appropriate tools.

If any parts are missing please contact Next to obtain replacements. Under no circumstances should missing parts or hardware be substituted unless obtained from Next.

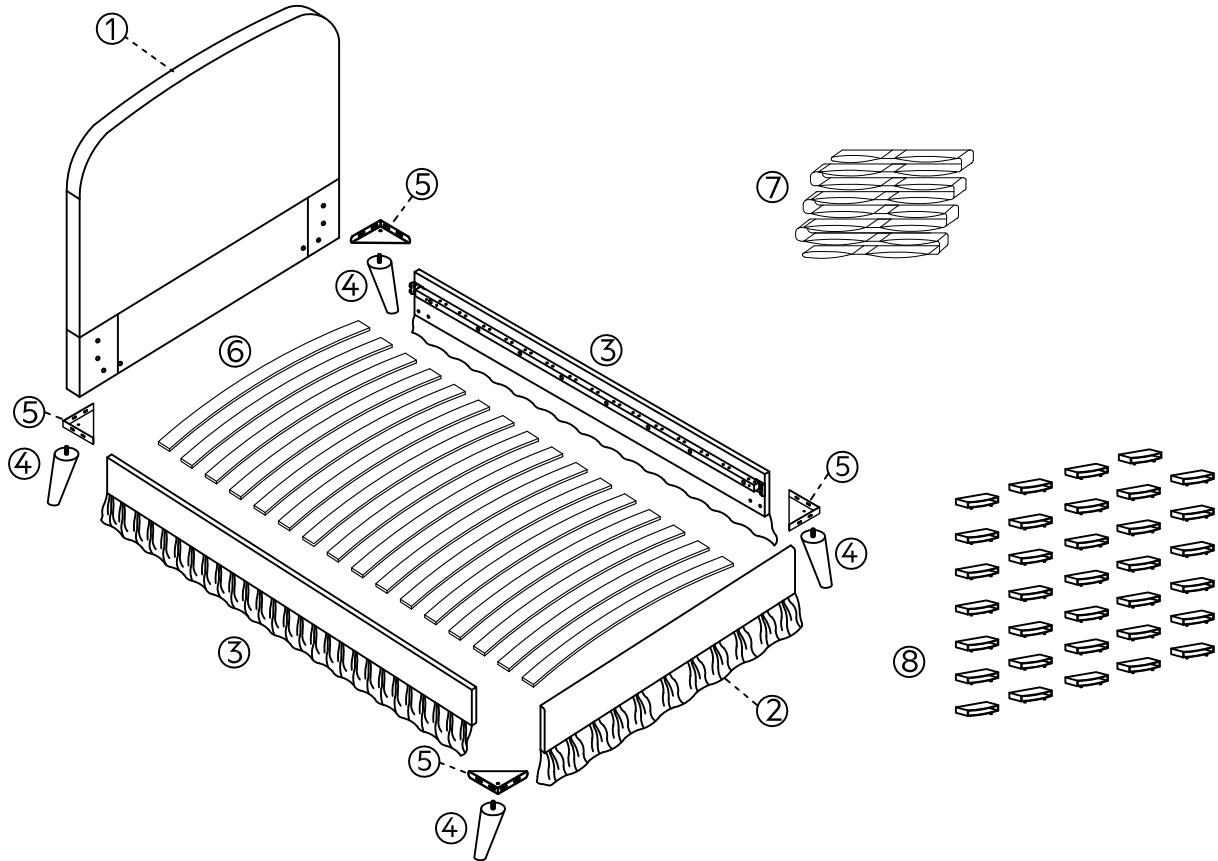
Don'ts

Do not drag or pull your furniture.

Do not use silicone based furniture polish. Silicone in furniture polishes can break down the lacquer finish

Do not stand or jump on this product.

Assembly instructions



Components supplied. Please use this guide if you require replacement parts.

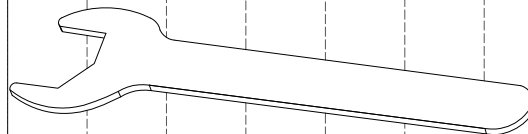
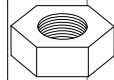
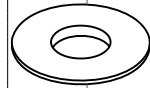
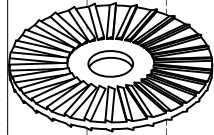
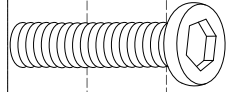
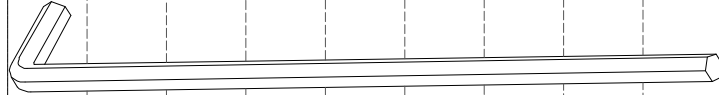
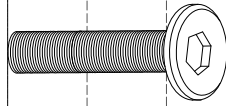
Ref	Dimensions	Visual	Qty	Ctn
1	Headboard (102x86cm)		1	1
2	Footboard (99x18.5cm)		1	2
3	Side Rails (192x18.5cm)		2	2
4	Feet (Ø6x19cm)		4	2

Ref	Dimensions	Visual	Qty	Ctn
5	Brackets (17.5x17.5x3.9cm)		4	2
6	Slats (90.7x6cm)		16	3
7	Belts for slat		1	2
8	End Plastic Cap (Small)		34 (2pcs spare part included)	2

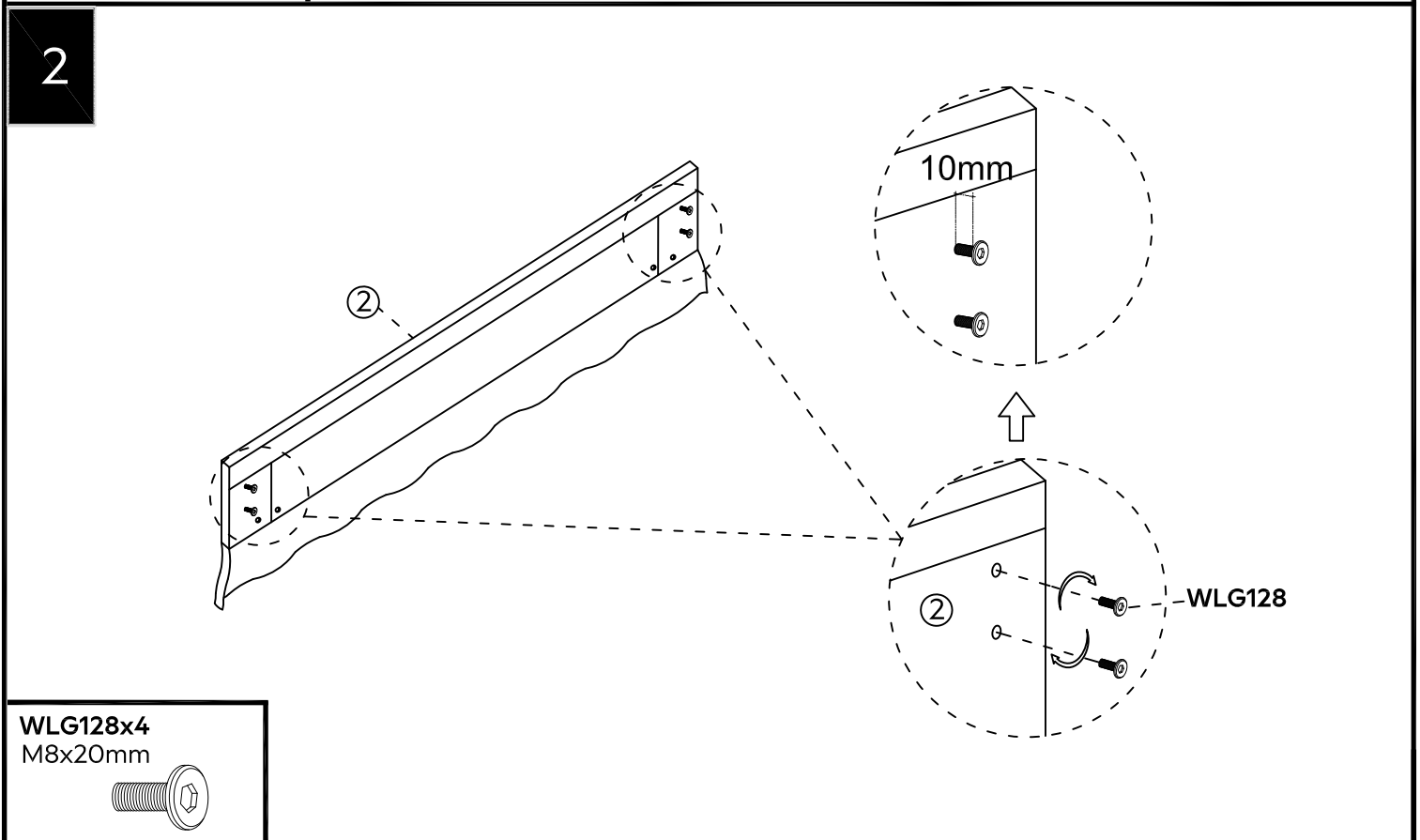
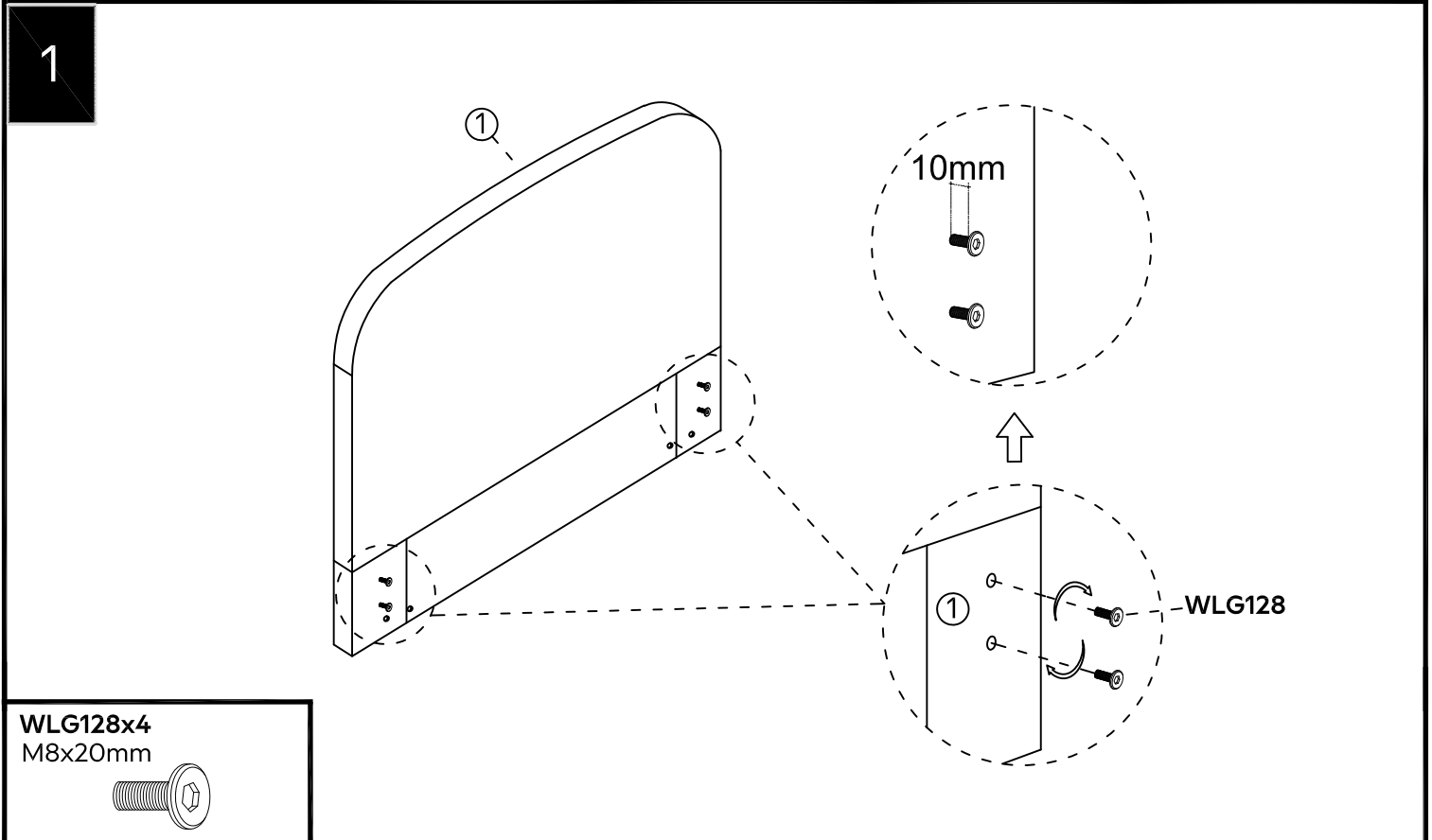
Assembly instructions

10 20 30 40 50 60 70 80 90 100 110 120

Ref	Dimensions	Qty
WLG128	M8x20mm	8
WBS12	M5x90mm	2
WLG120	M8x20mm	16
WDP17	Ø50x3.5mm	4
WDP22	M8x19mm	20
WDP23	M8	4
WLM24	M8	4
WBS13	Ø13	2

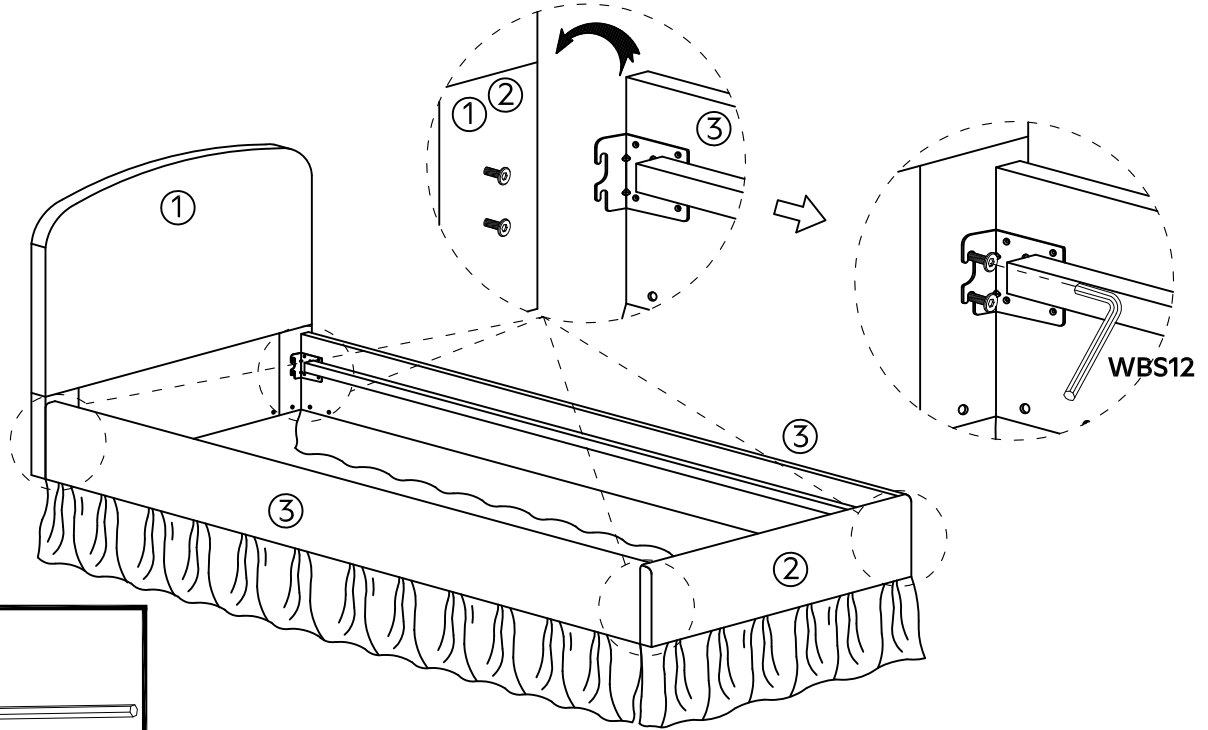


Assembly instructions



Assembly instructions

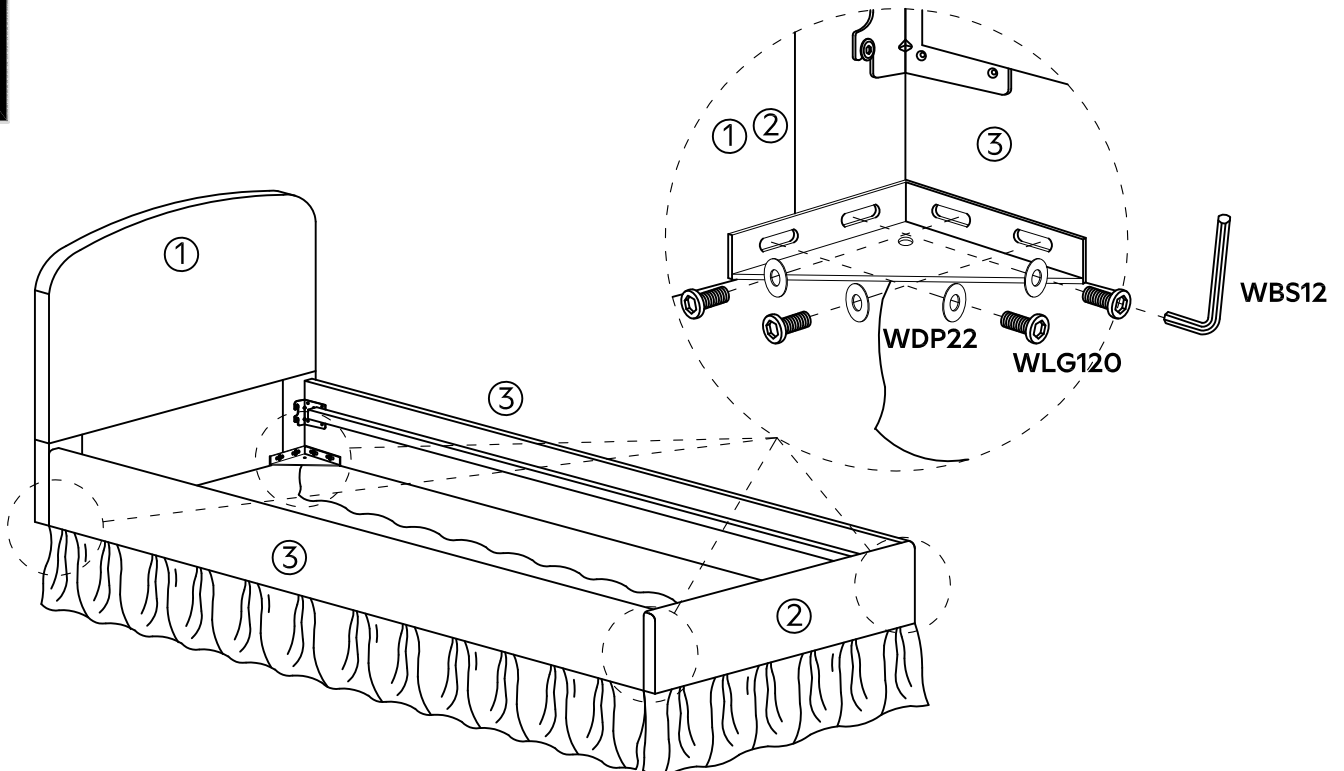
3



WBS12x2
M5x90mm



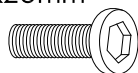
4



WBS12x2
M5x90mm



WLG120x16
M8x20mm

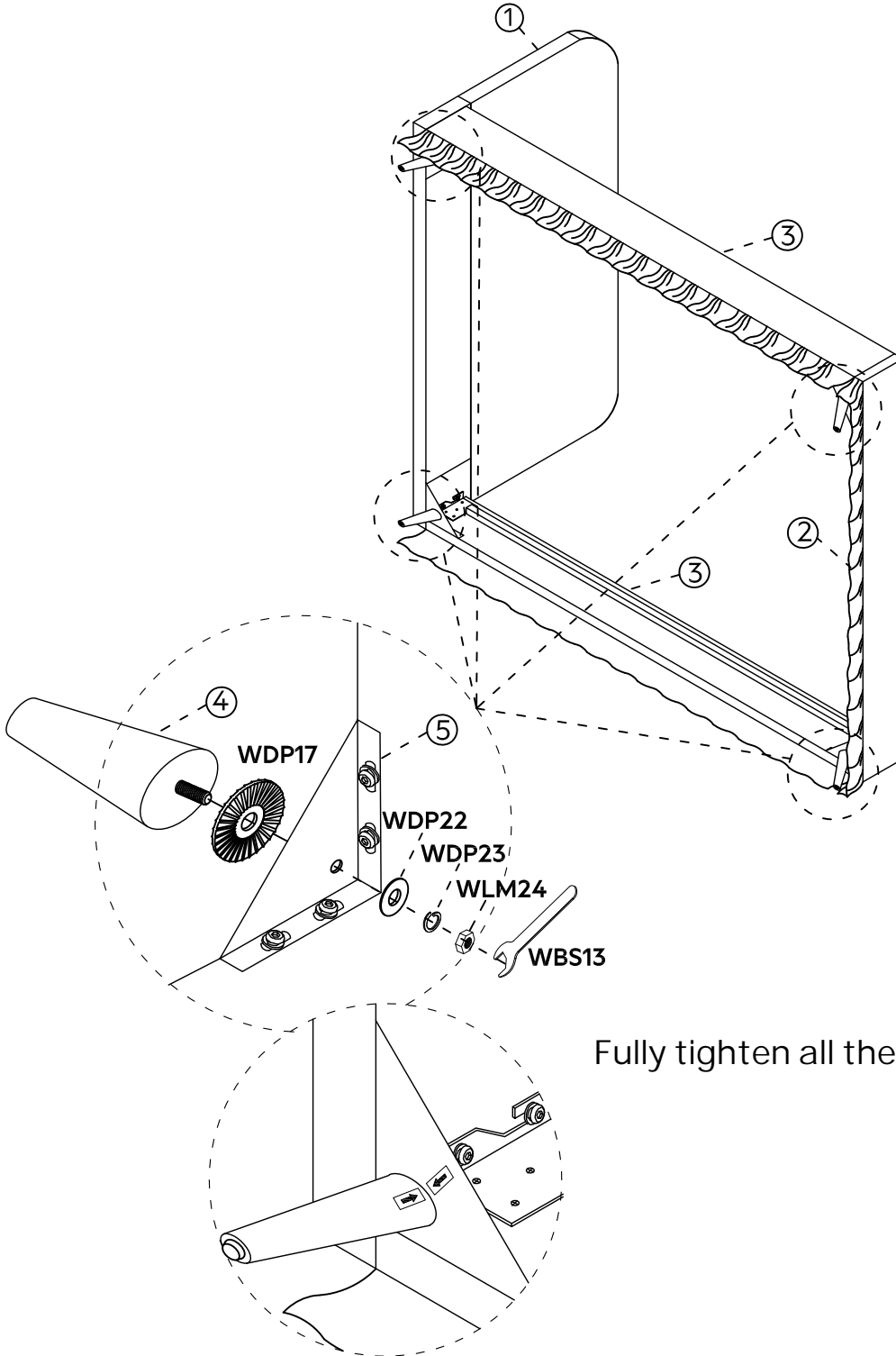


WDP22x16
M8x19mm



Assembly instructions

5



Fully tighten all the bolts at this stage.

WDP17x4
Ø50x3.5mm



WDP22x4
M8x19mm



WDP23x4
M8



WLM24x4
M8



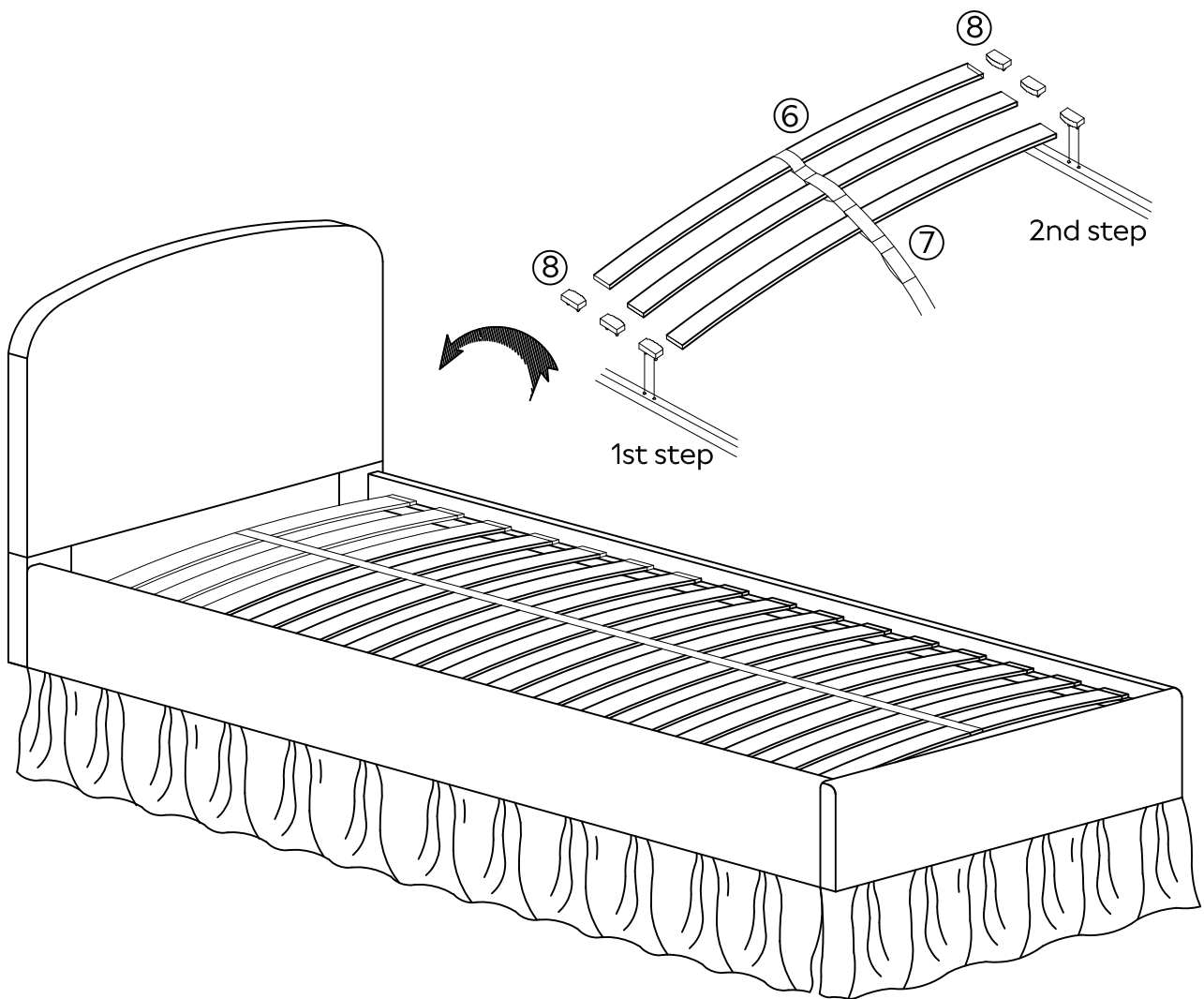
WBS13x2
Ø13



Assembly instructions

6

Periodically check the condition of your bed slats and plastic locating caps to ensure they are in good condition and have not become loose.



Warning: When you need to move the bed please lift it, do not drag it.

NEXT

MATSON GINGHAM SINGLE BED W58223

Overall Dimensions (WxLxH cm)

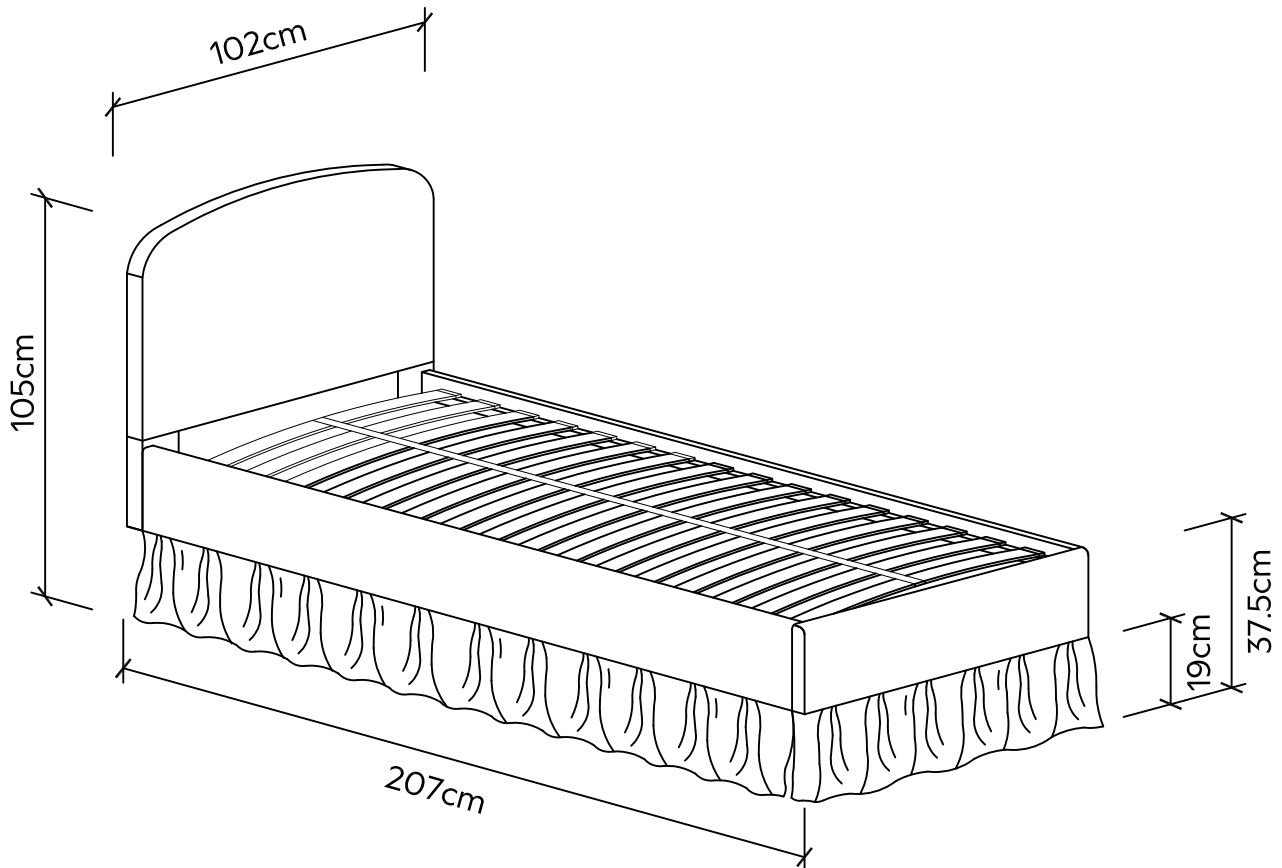
Single: 102 x 207 x 105/37.5

Internal Dimensions (WxL cm)

92 x 192

Delivery Box Size (HxWxD cm)

	Single
Box1	9 x 105 x 89
Box2	16 x 230 x 22
Box3	7 x 94 x 23



NEXT

MATSON GINGHAM SINGLE BED
W58223

IMPORTANT-RETAIN FOR FUTURE REFERENCE-READ CAREFULLY.

This child's bed conforms to BS8509:2008+A1:2011

WARNINGS

WARNING:Do not place this child's bed near heat sources,windows and other furniture.

WARNING:Do not use this child's bed if any part is broken,torn or missing.

WARNING:Assembly by adult only.

WARNING:Once assembled this bed is not designed to be disassembled and reassembled.

Children are likely to play,bounce,jump and climb on beds,therefore the child's bed should not be placed too close to other furniture or windows,blind cords,curtain pulls or other strings or cords and should be placed either tight to any wall or have a gap of 300mm between the wall and the side of the bed.

This size of the mattress to be used with the child's bed is 900mm x 1900mm.

This Child's bed is intended for children above 4 years old.

WARNING:Not suitable for children under 4 years (junior beds only).

Missing parts

If you are missing any fixtures and fittings for your product.Please contact our customer service team on 03337778999 and they will be happy to arrange for a replacement to be sent to you free of charge.

Home service technicians

If you have a fault with your product,please contact our customer service team on 03337778999.If you have had the product for 28 days or less you may be offered a replacement, refund or for a fully trained home service technician to visit your assess the fault and repair the product where possible.If you have had the product for more than 28 days we will send an independent home service technician to review and repair the product where possible and recommend further action.

You can write to us at

Home Customer Services Next Retail Ltd.
Desford Road,
Leicester,
LE194A

To view our full furniture range please visit www.next.co.uk