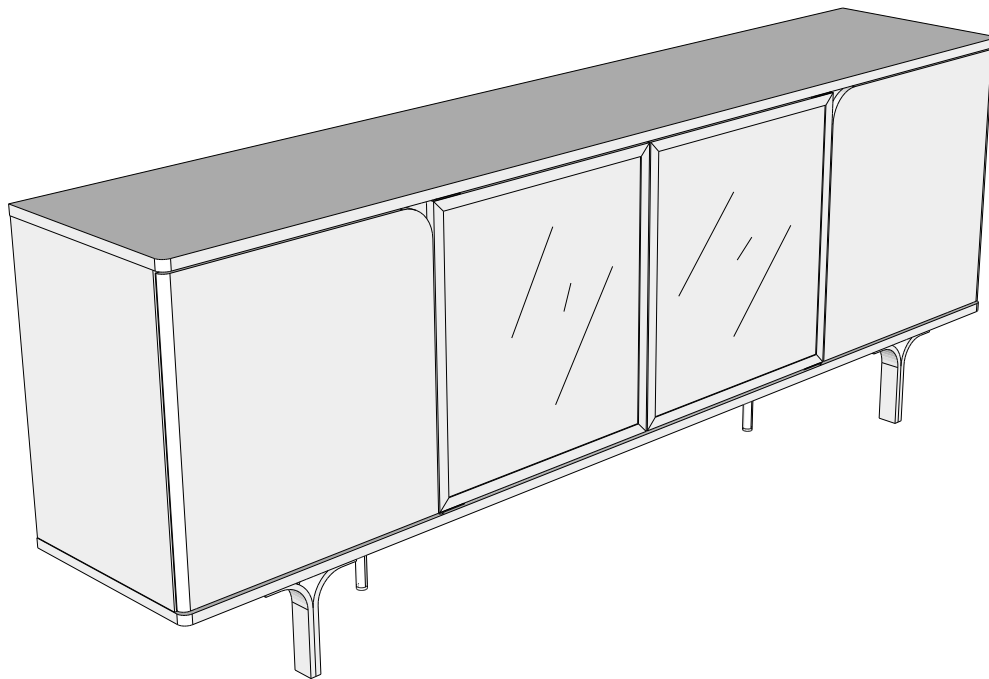


NEXT

EVIE EXTRA LARGE LIT SIDEBOARD

W58482
Assembly instructions

Actual product size
H75 x W200 x D39 cm



Need Help ?

With: Assembly instruction
Missing or damaged parts

IMPORTANT - RETAIN FOR FUTURE REFERENCE

CALL: 0333 777 8999

BEFORE YOU START

Number of people required to assemble

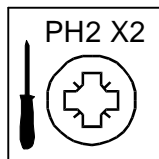
Two people are required to assemble this item



Time to assemble : 30 minutes



Tools required



not supplied

Do's

We suggest you spend a short time reading through this leaflet before you start.

When you are ready to start, make sure that you have the right tools and plenty of space.

Unwrap all packaging materials and place the components on a clean surface to protect it from damage,

We recommend that the packaging is used to protect the surfaces during assembly.

Carefully check that you have all the parts before beginning assembly.

Due to the size of this product we recommend that it is assembled in the room intended for use.

Ensure the product is fully assembled as illustrated and all fixings fully tightened before use.

Wipe occasionally with a soft cloth slightly dampened with water. Then buff with a dry clean soft cloth.

Wood will mellow and change colour over time, we recommend that ornaments and items placed on the surface are moved regularly for the first few months to prevent uneven mellowing.

If the glass is chipped or broken, stop using the product and consult the supplier.

When cleaning glass panels use a damp cloth with washing up liquid or soft soap if necessary. Do not use washing powders or any other substances containing abrasives since these substances scratch glass panel.

The glass used in this product is toughened and complies with BS EN 12150-1:2000, clauses 8.3 & 8.4.

Don'ts

Do not drag or pull your furniture.

Do not rub or scrub the surface when cleaning.

Do not use silicone based furniture polish. Silicone furniture polishes can break down the finish.

Never allow any kind of liquid to remain on your furniture.

Absorption can cause wood to warp or finishes to de-laminate.

Do not place hot items (e.g. hot drinks) directly on to the wood surface. Please make sure you use a placemat or coaster.

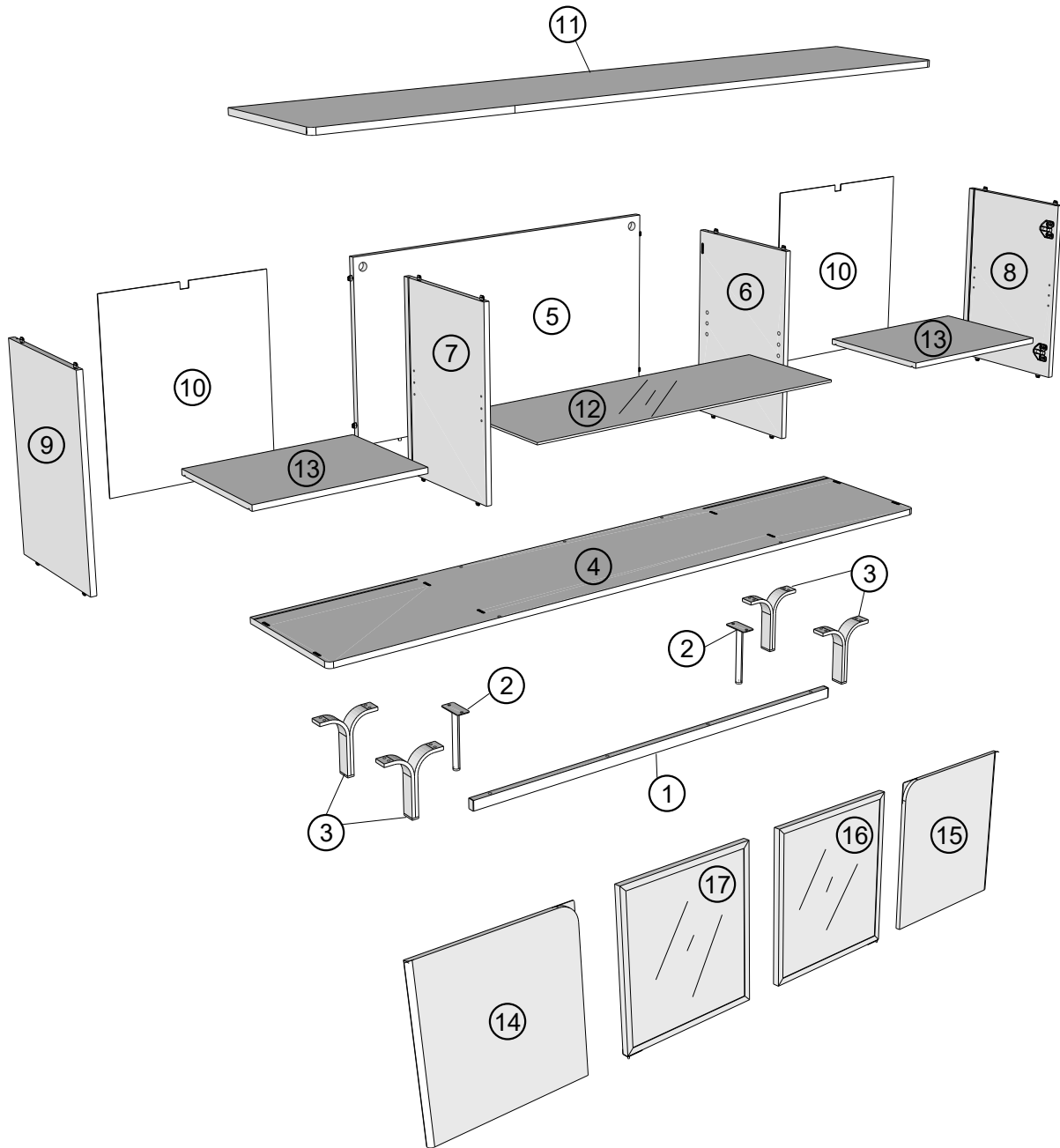
Do not place very hot or very cold items on the glass surface, unless adequately thick table mats or coasters are used to prevent such items from coming into contact with the glass.

Do not use glass as a chopping surface. Do not strike the glass with hard or pointed items.

NEXT

EVIE EXTRA LARGE LIT SIDEBOARD W58482 Assembly instructions

GETTING TO KNOW YOUR PRODUCT





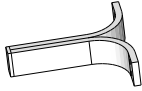

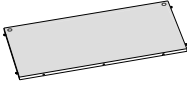
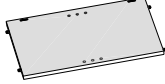
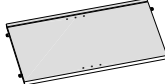
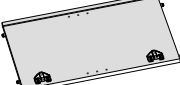
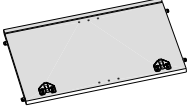
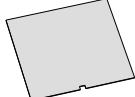
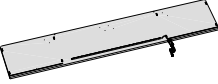
NEXT

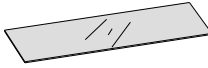

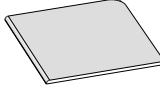
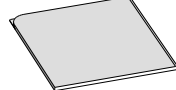
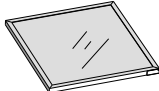
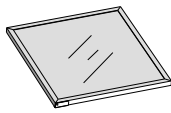
EVIE EXTRA LARGE LIT SIDEBOARD

W58482

Assembly instructions

Components supplied. Please use this guide if you require replacement parts.

Ref	Dimensions	Visual	Qty	Ctn
1	3x124cm		1	2
2	8x17.5cm		2	1
3	18x18cm		4	1
4	39x200cm		1	2
5	53.5x98.5cm		1	1
6	36.5x53.5cm		1	2
7	36.5x53.5cm		1	2
8	36.5x53.5cm		1	2
9	36.5x53.5cm		1	2
10	48.5x54cm		2	1
11	39x200cm		1	2

Ref	Dimensions	Visual	Qty	Ctn
12	34x98cm		1	2
13	34x47.5cm		2	2
14	50.5x52.5cm		1	1
15	50.5x52.5cm		1	1
16	49x52.5cm		1	1
17	49x52.5cm		1	1

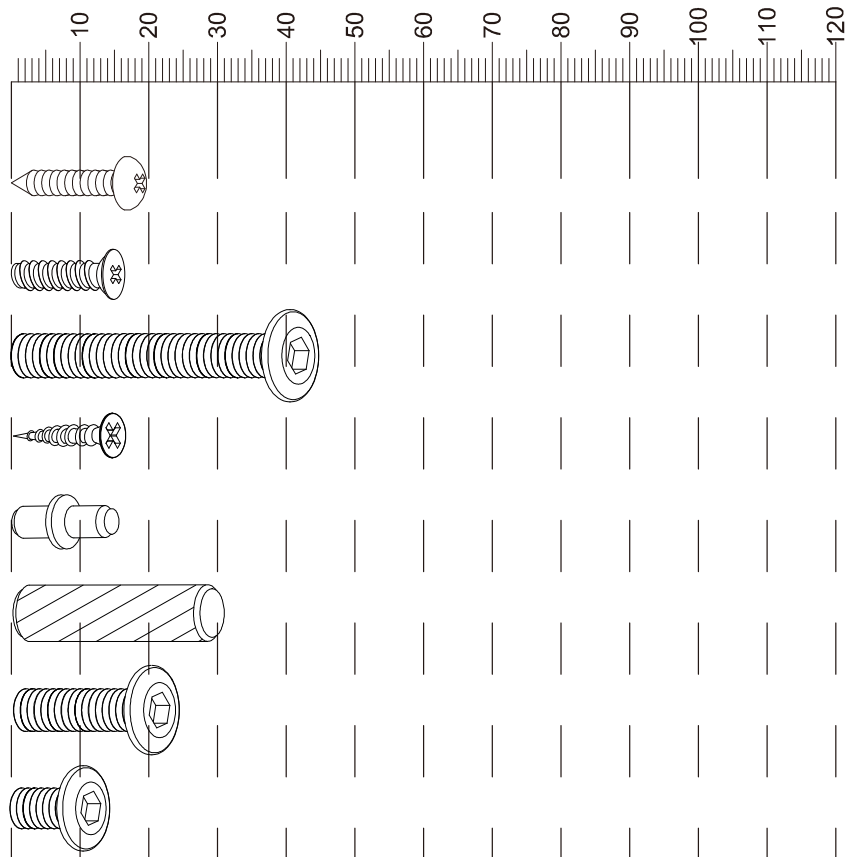
NEXT

EVIE EXTRA LARGE LIT SIDEBOARD

W58482
Assembly instructions

Fixtures and fittings supplied (actual size)

Ref	Dimensions	Qty	Spare Qty
S41	Ø4 x 15mm	2	1
U139	Ø4.5 x 15mm	8	1
V68	Ø6 x 40mm	4	1
U143	Ø4 x 15mm	8	1
P3	Ø5 x 16mm	8	1
D6	Ø8 x 30mm	N/A	1
Y31	Ø6 x 20mm	16	2
V36	Ø6 x 10mm	4	1



Fixtures and fittings supplied (not to scale)

Ref	Dimensions	Qty	Spare Qty	Visual
T39	N/A	2	N/A	
C14	N/A	4	N/A	
T4	N/A	2	N/A	
F1	N/A	4	N/A	
T38	N/A	8	1	
H28	N/A	1	N/A	

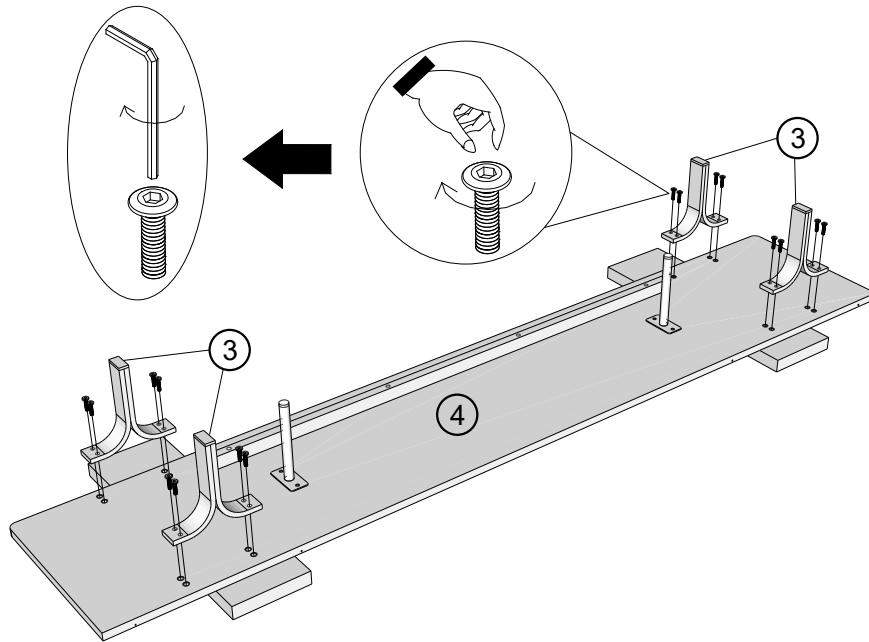
Ref	Dimensions	Qty	Spare Qty	Visual
O1	N/A	1	1	
H27	N/A	1	N/A	
M5	N/A	4	1	
T52	N/A	1	N/A	
M38	N/A	4	N/A	


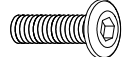
NEXT

EVIE EXTRA LARGE LIT SIDEBOARD

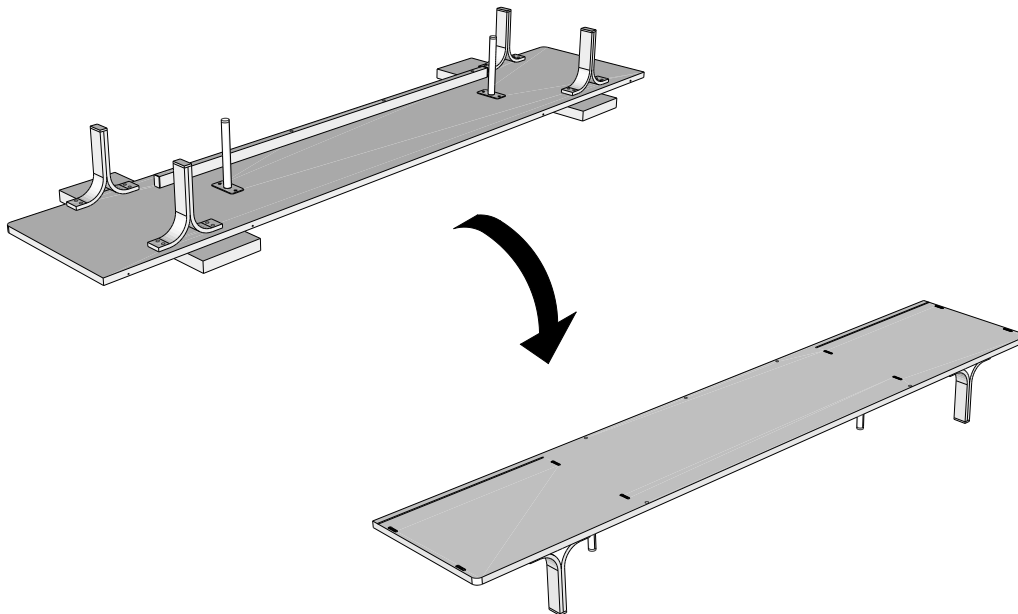
W58482
Assembly instructions

3



T4	N/A	2	
Y31	Ø6 x 20mm	16	

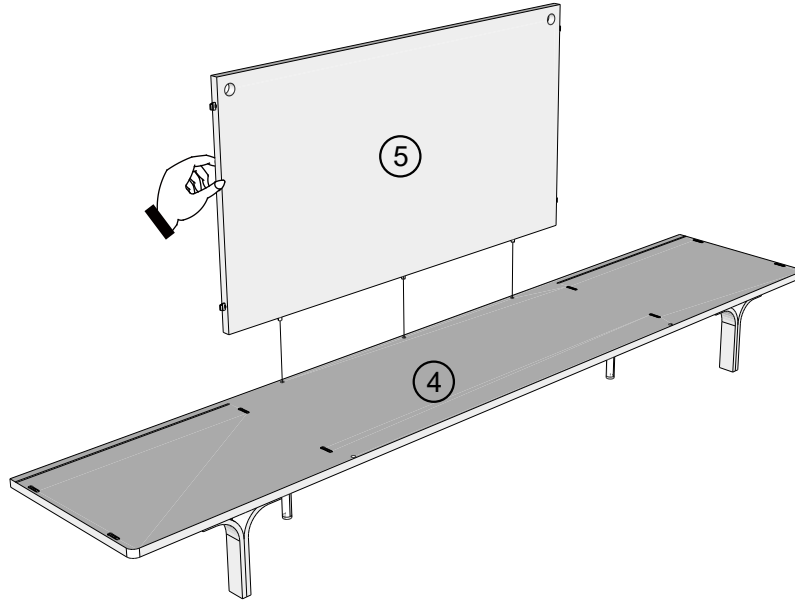
4



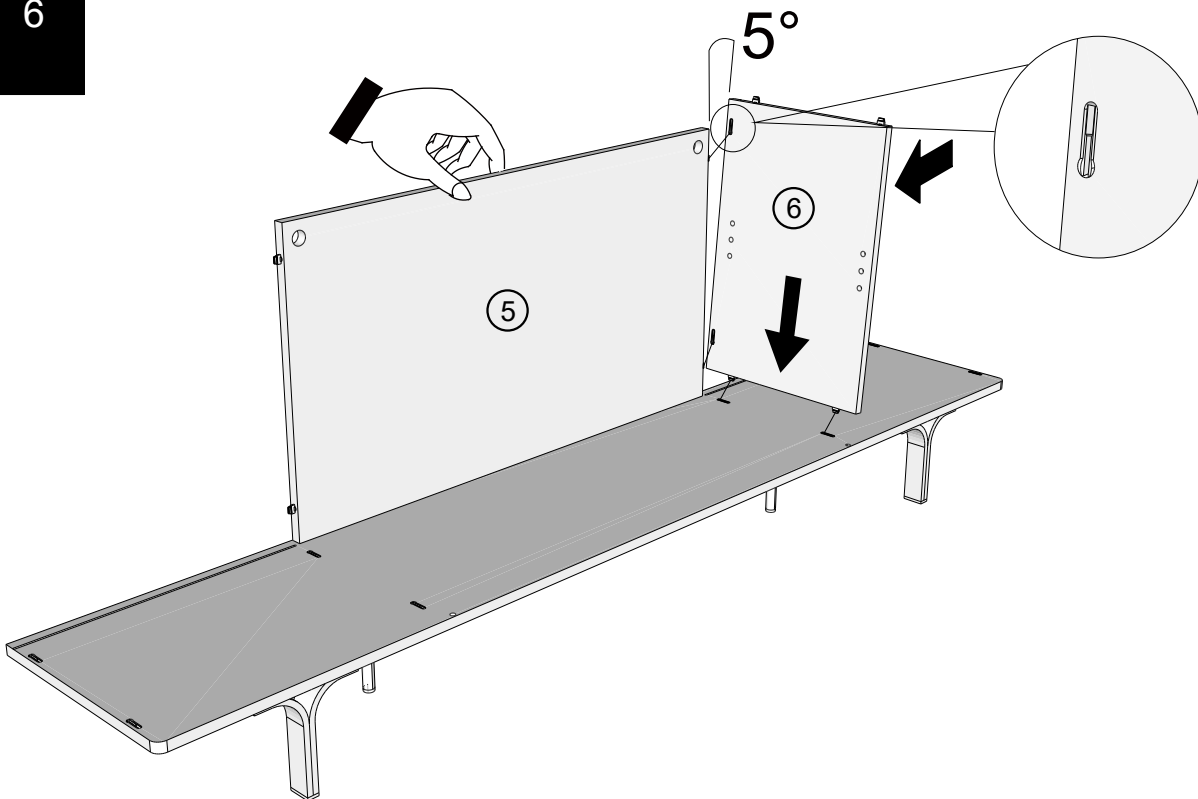
NEXT

EVIE EXTRA LARGE LIT SIDEBOARD W58482 Assembly instructions

5



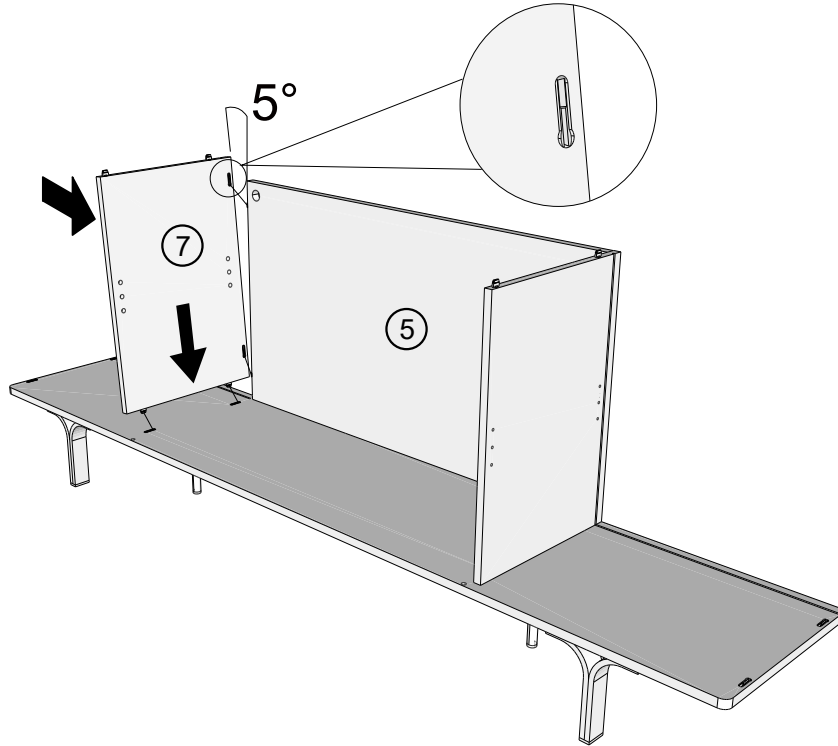
6



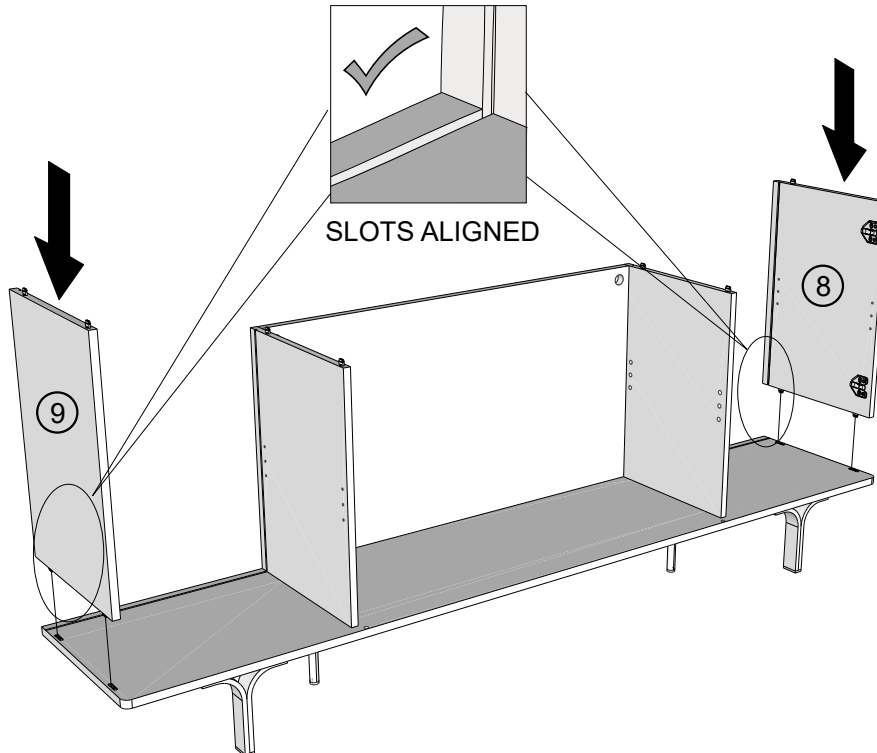
NEXT

EVIE EXTRA LARGE LIT SIDEBOARD W58482 Assembly instructions

7



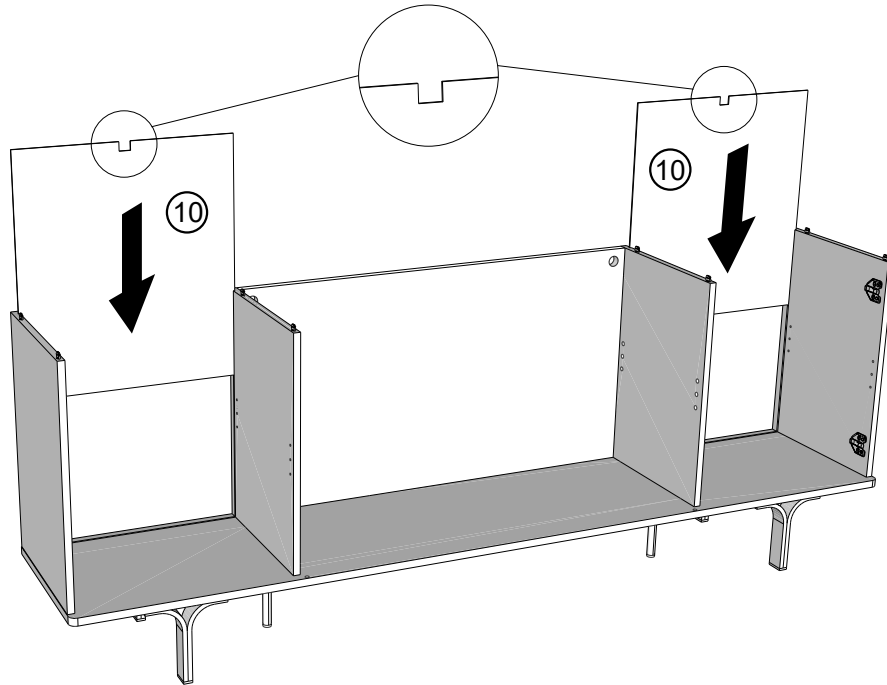
8



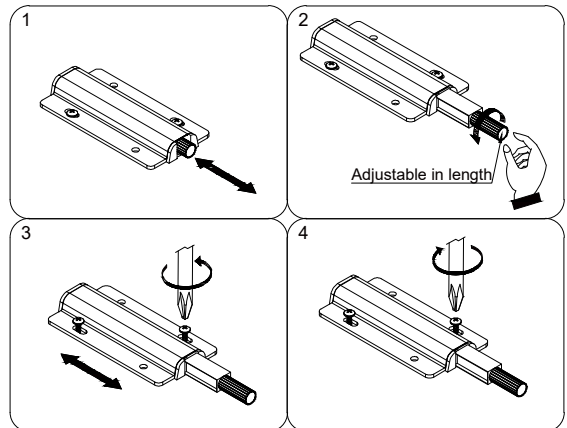
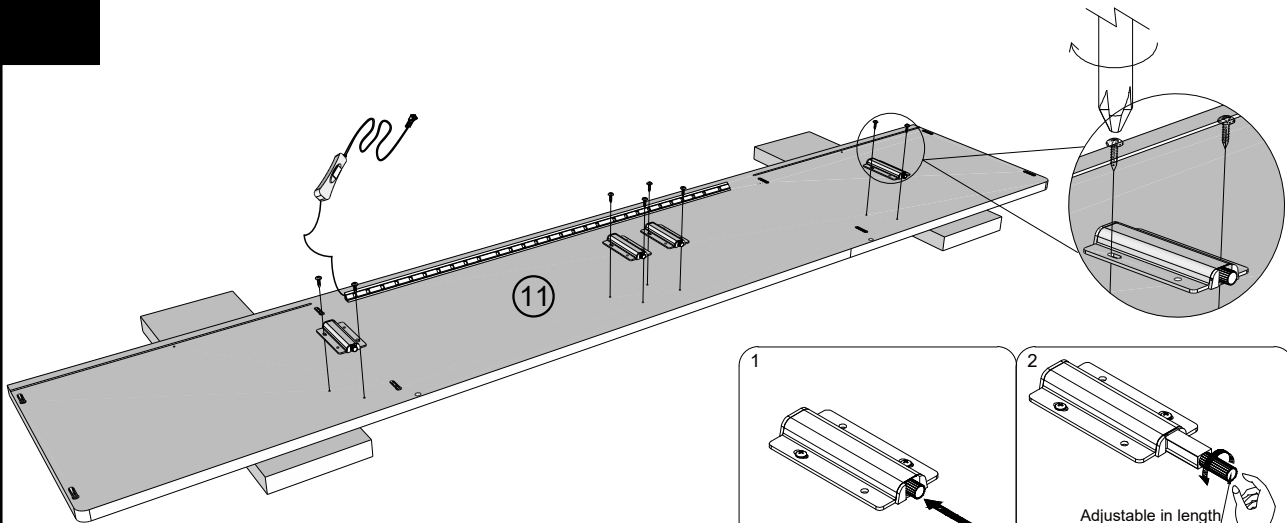
NEXT

EVIE EXTRA LARGE LIT SIDEBOARD W58482 Assembly instructions

9



10

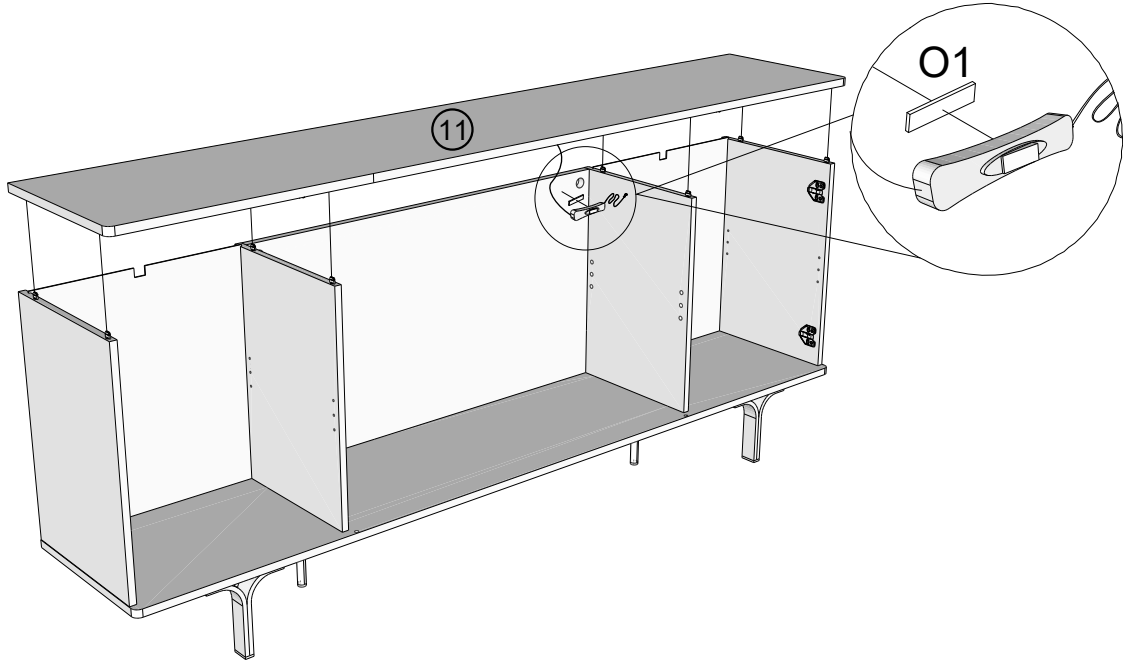


M38	N/A	4	    not supplied
-----	-----	---	---

NEXT

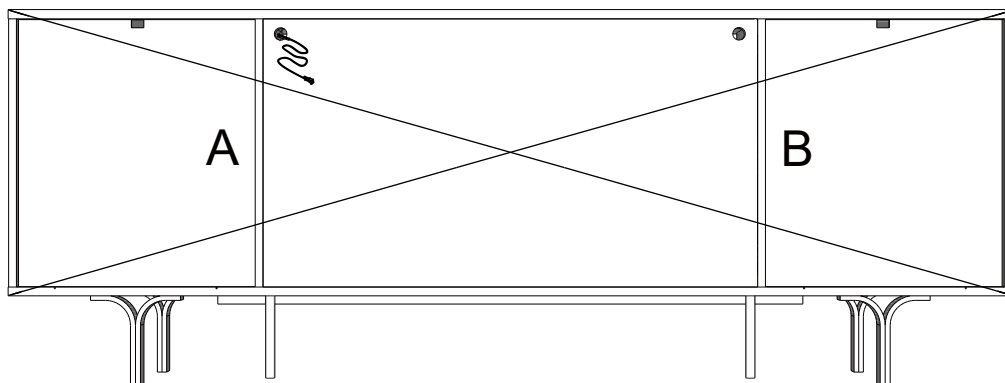
EVIE EXTRA LARGE LIT SIDEBOARD W58482 Assembly instructions

11



O1	N/A	1	
----	-----	---	--

12

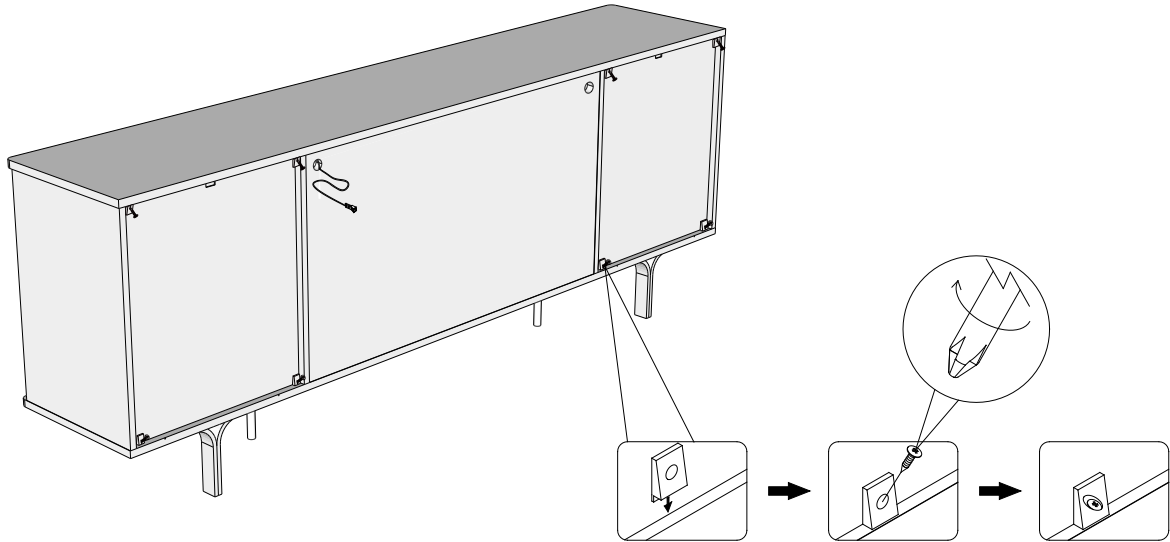


$$A=B$$

NEXT

EVIE EXTRA LARGE LIT SIDEBOARD W58482 Assembly instructions

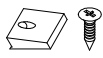
13



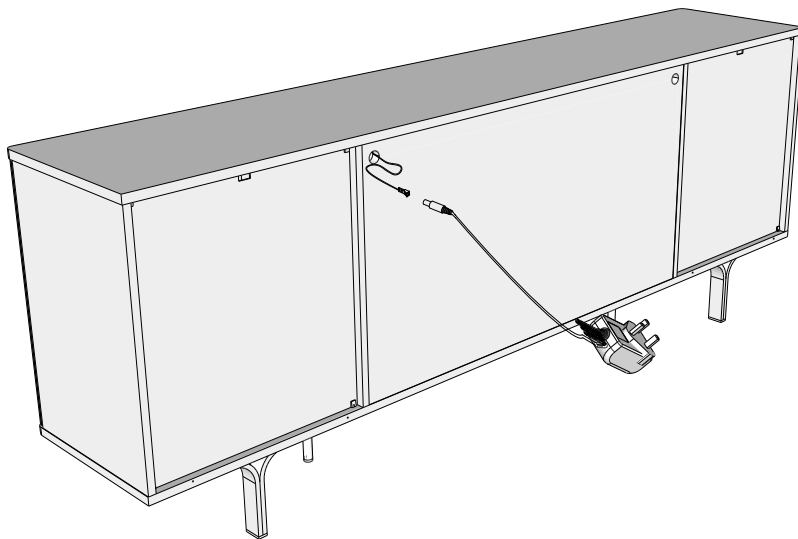
T38

N/A

8



14



T52

N/A

1



NEXT

EVIE EXTRA LARGE LIT SIDEBOARD

W58482

Assembly instructions

15

We recommend the use of the wall attachment bracket/strap provided for safety reasons.

Secure the other end of the strap to the wall with an appropriate screw and wall plug for your wall type (not provided).

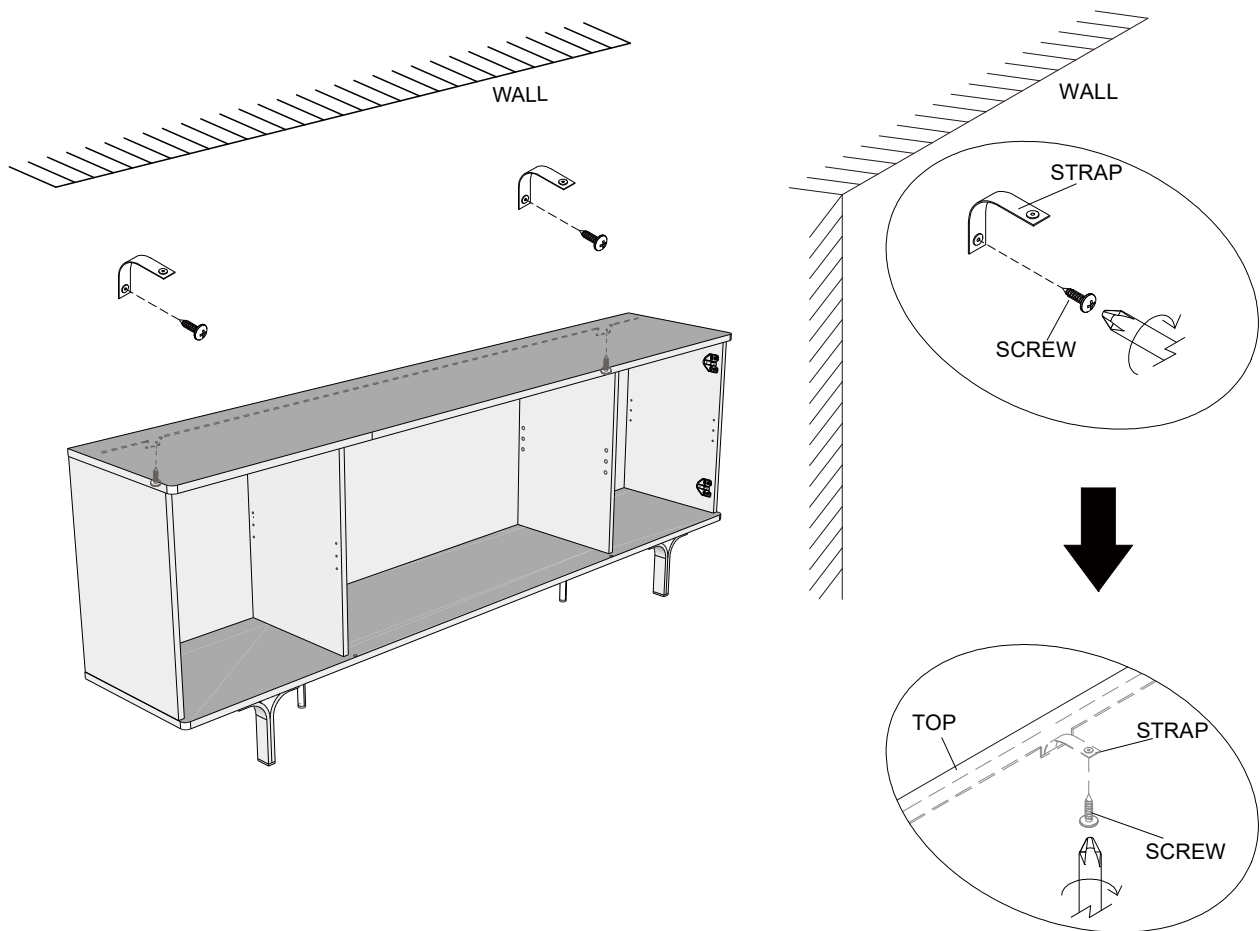
To hide the strap behind the unit, drill the hole lower than the top of unit.

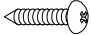


Warning: Always ensure intended wall area to be drilled is free from hidden electrical wires, water and gas pipes.

NB: Wall fixings are not included-Please source suitable fixing for your wall type.

If in doubt please consult a qualified trades person.

Please ensure you secure your product to the wall for your and your family's safety before you use it.



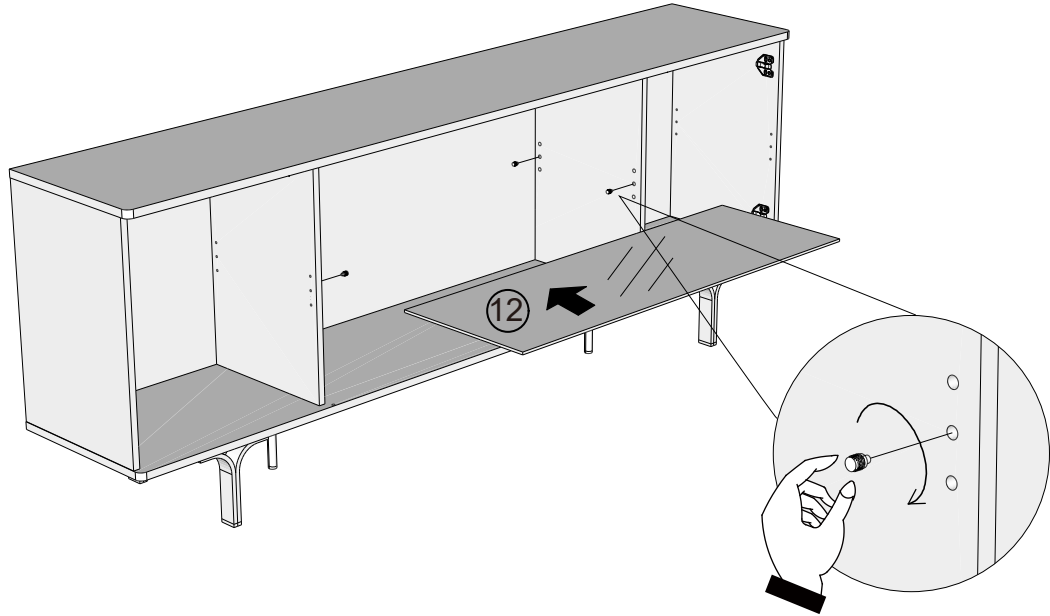
S41	Ø4 x 15mm	2	  not supplied
T39	N/A	2	

NEXT

EVIE EXTRA LARGE LIT SIDEBOARD

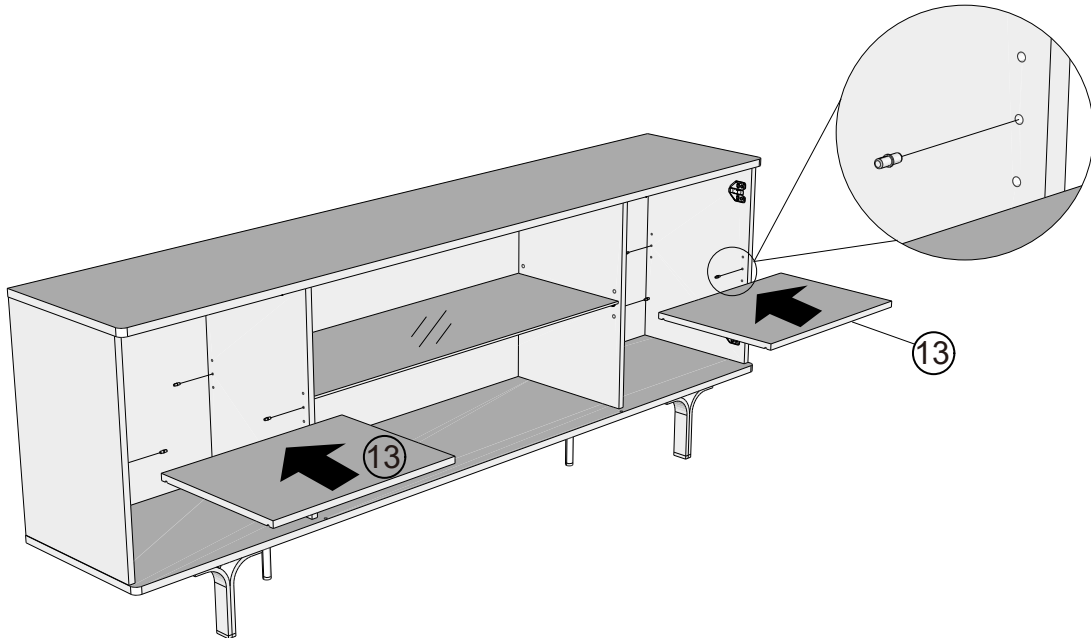
W58482
Assembly instructions

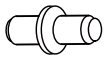
16



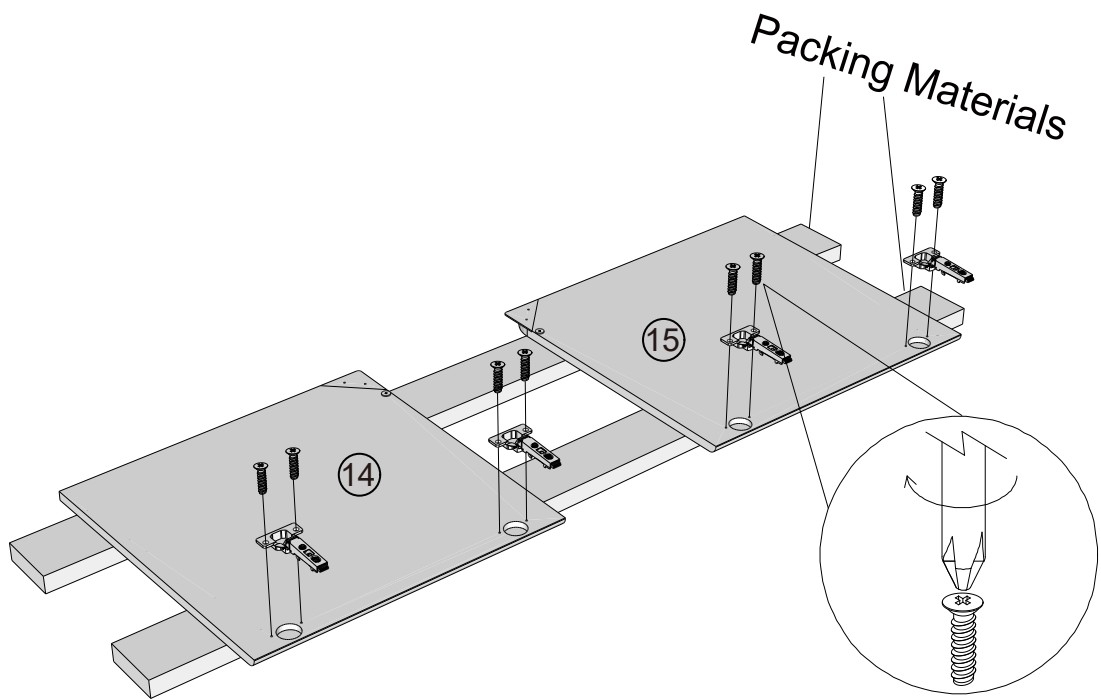
M5	N/A	4	
----	-----	---	---

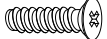

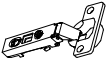
17



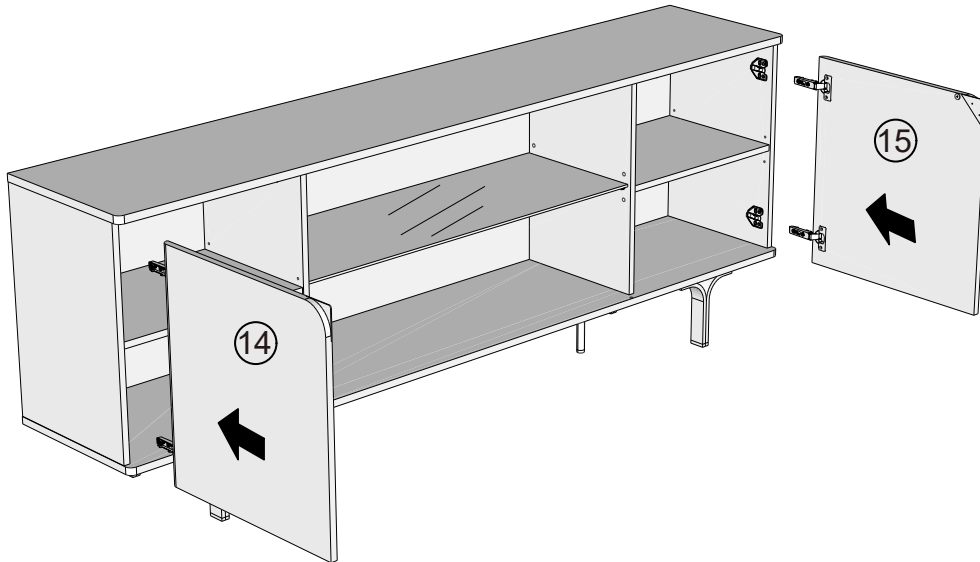
P3	Ø5 x 16mm	8	
----	-----------	---	---

18



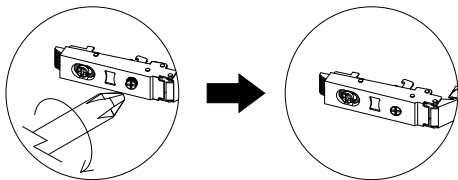
U139	Ø4.5 x 15mm	8	  not supplied
C14	N/A	4	

19

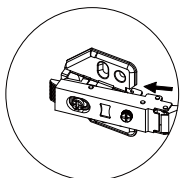


Install Hinge

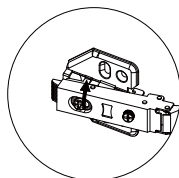
Step.1:Lift up the hook



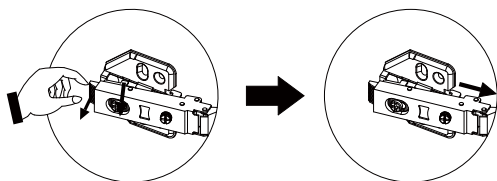
Step.2:Hook the hinge to the base



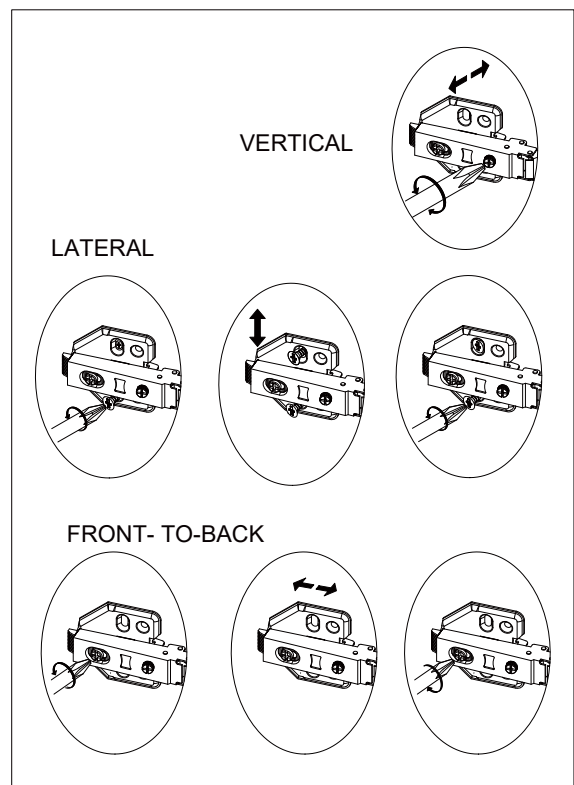
Step.3:Press inside



Remove Hinge



Adjust Hinge Position

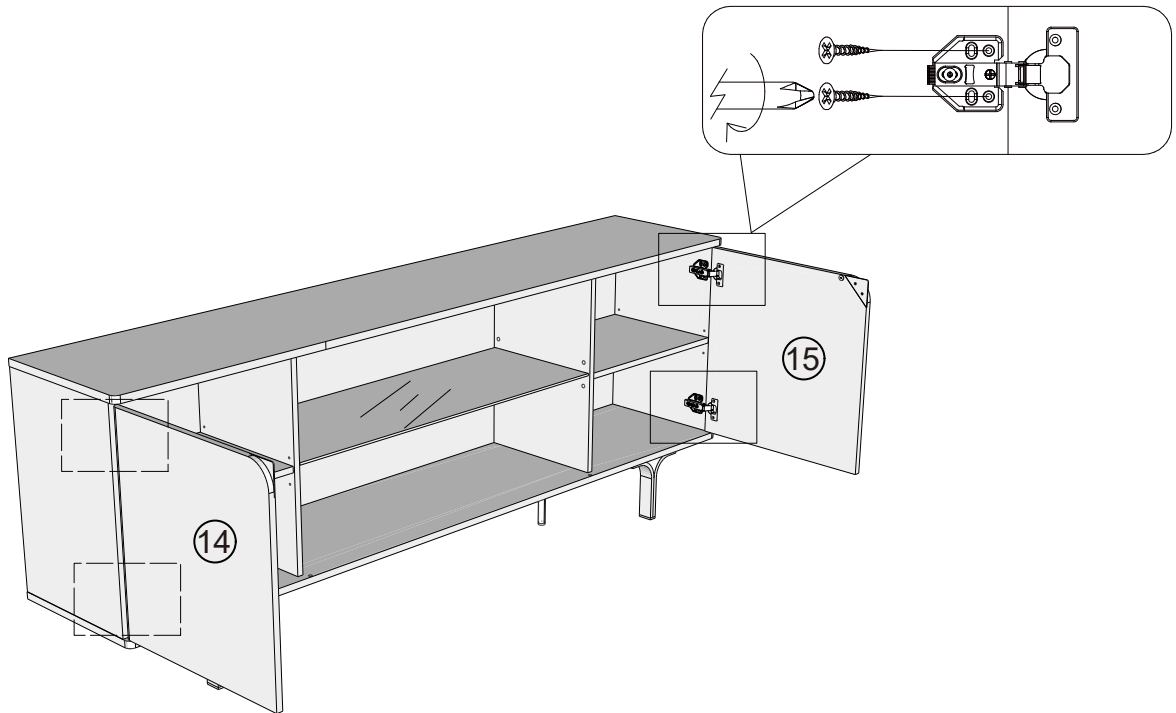




NEXT

EVIE EXTRA LARGE LIT SIDEBOARD

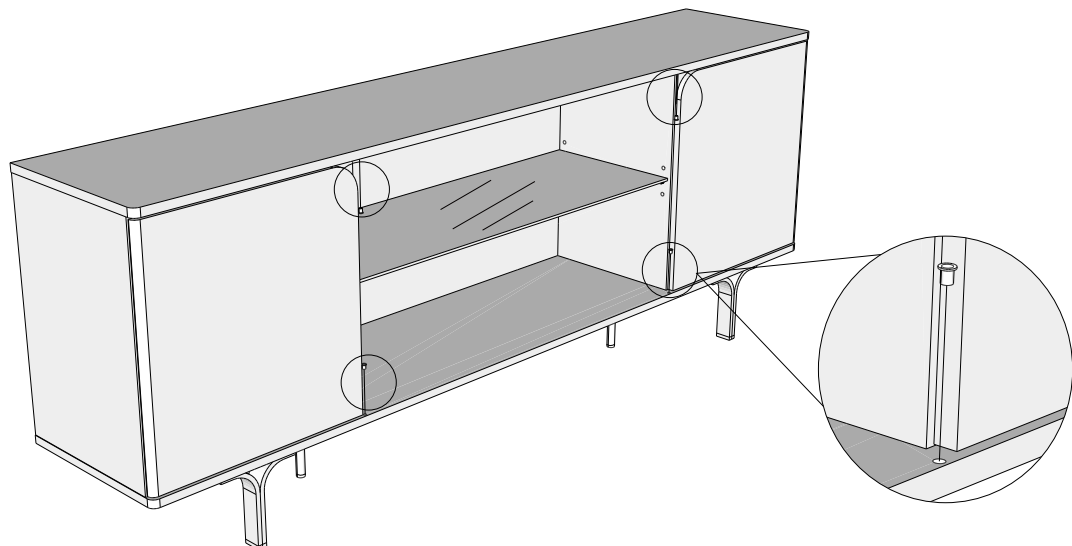
W58482
Assembly instructions

20



U143	Ø4 x 15mm	8		 not supplied
------	-----------	---	---	---

21



F1	N/A	4	
----	-----	---	---

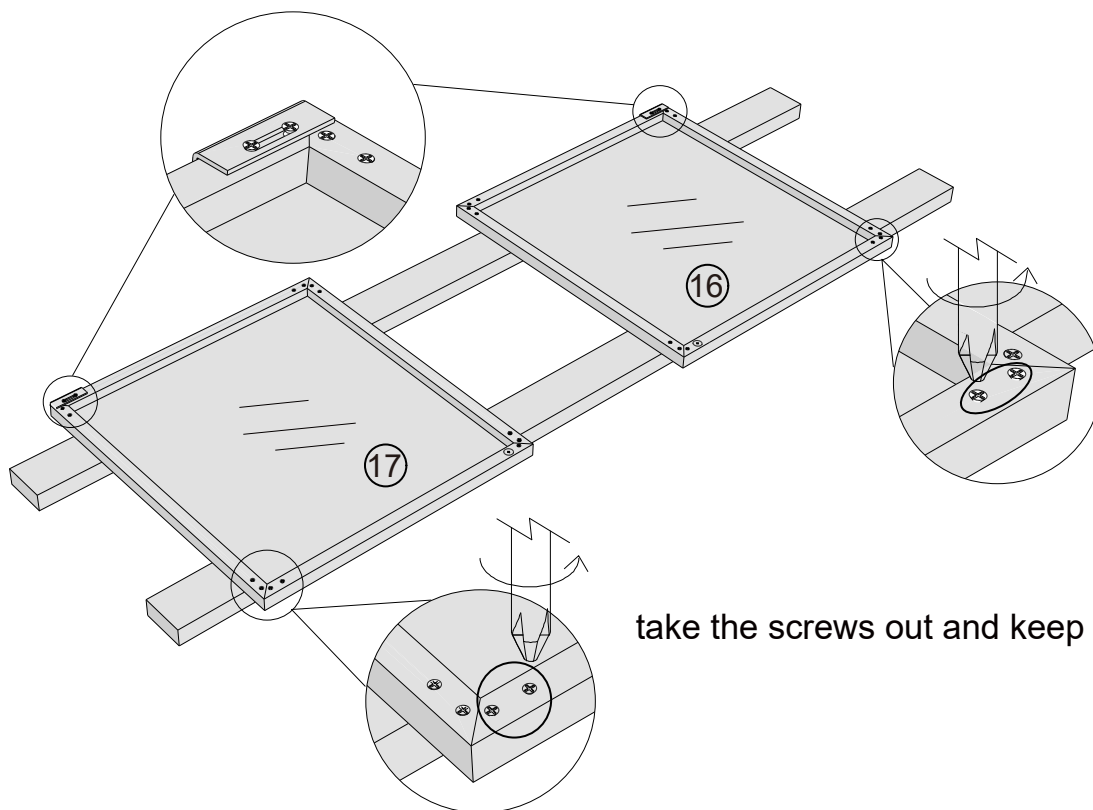
NEXT

EVIE EXTRA LARGE LIT SIDEBOARD

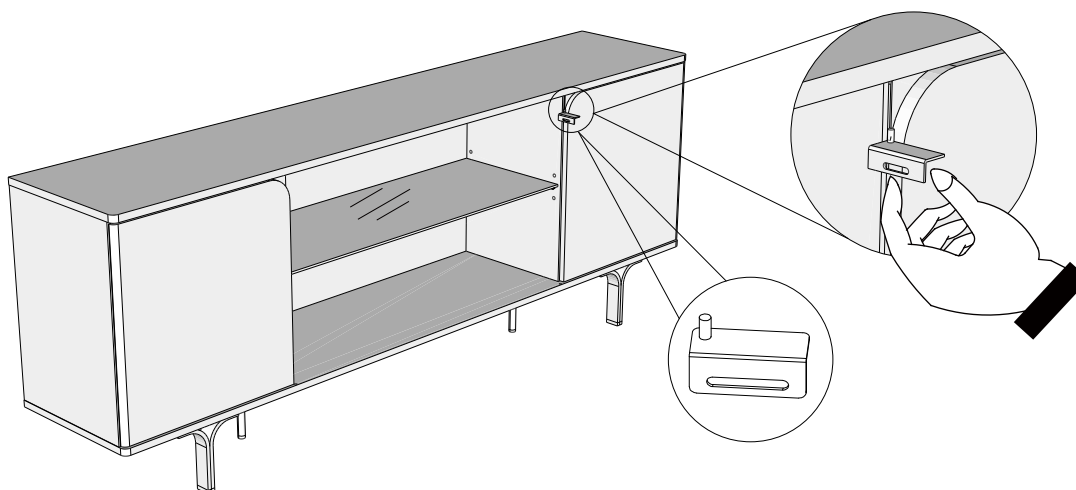
W58482

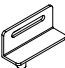
Assembly instructions

22



23



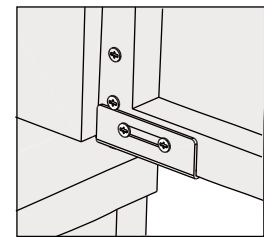
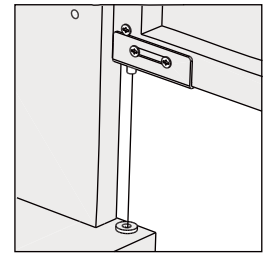
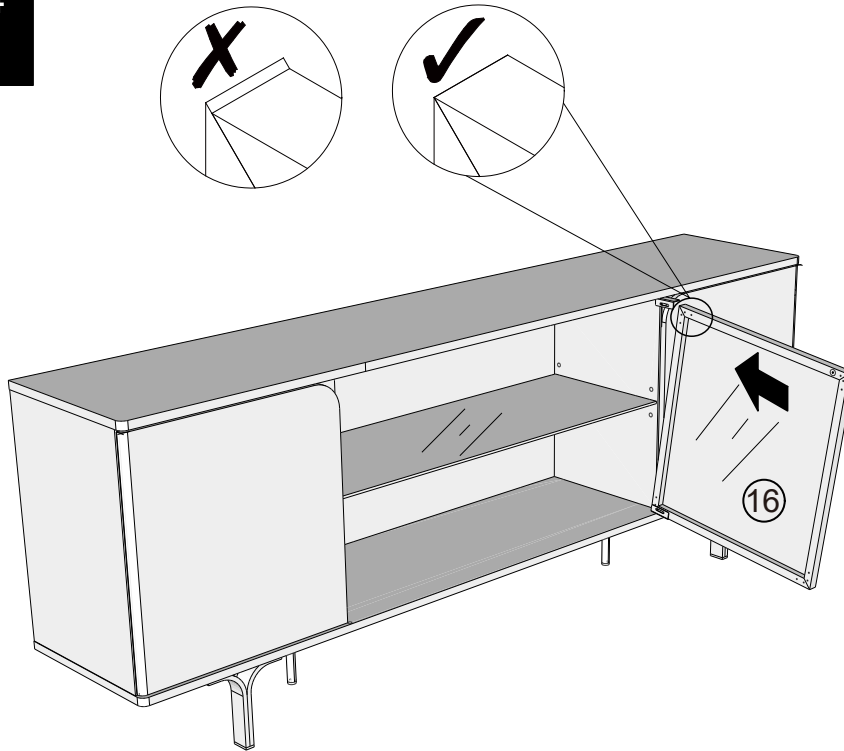
H28	N/A	1	
-----	-----	---	---

NEXT

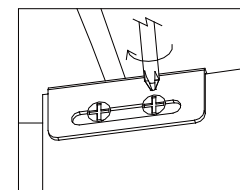
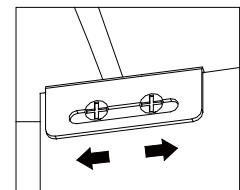
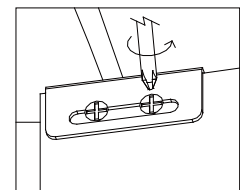
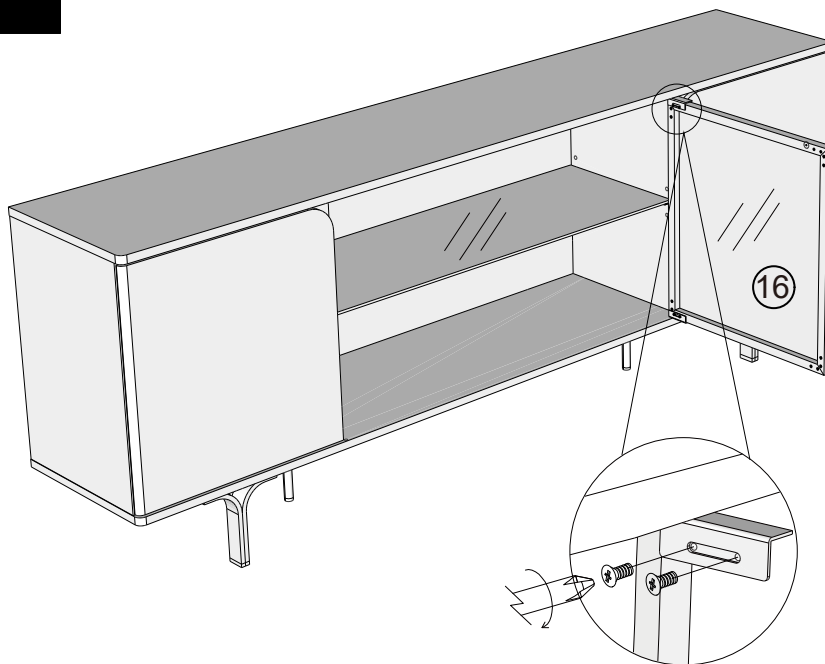
EVIE EXTRA LARGE LIT SIDEBOARD

W58482
Assembly instructions

24



25



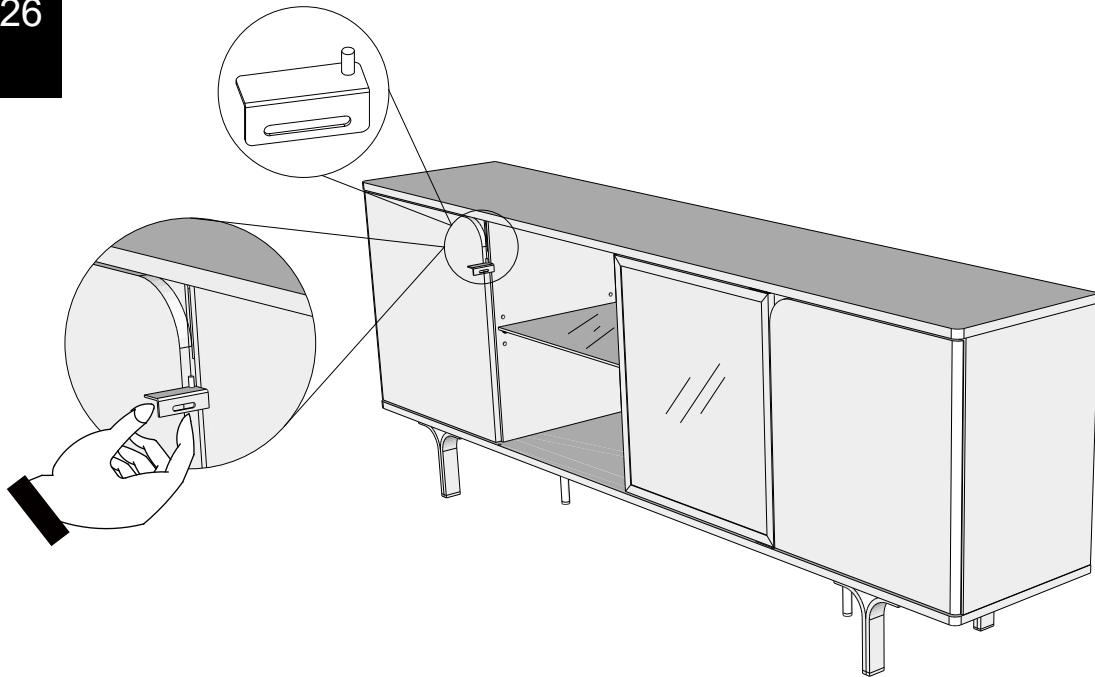
Screws are from step 22

NEXT

EVIE EXTRA LARGE LIT SIDEBOARD

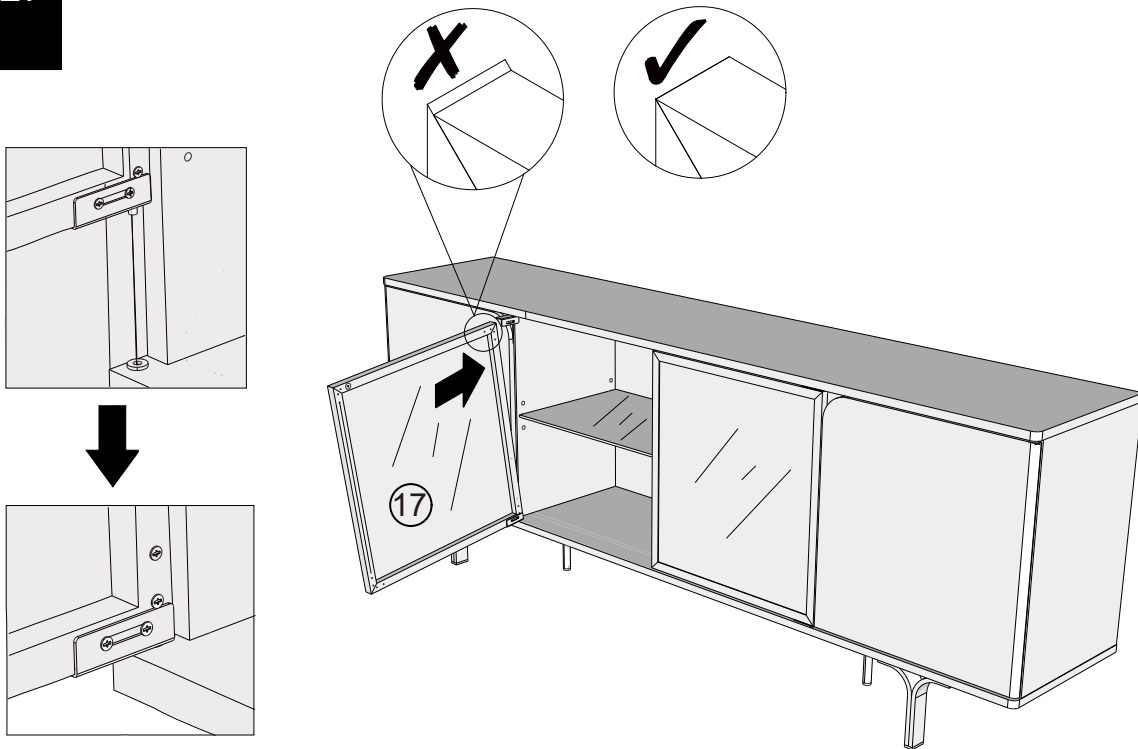
W58482
Assembly instructions

26



H27	N/A	1	
-----	-----	---	--

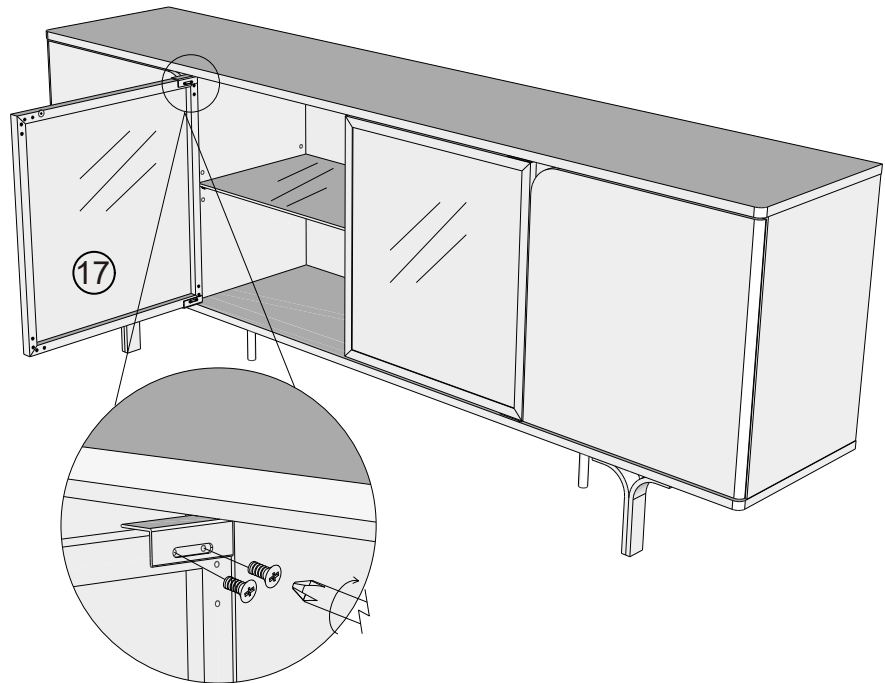
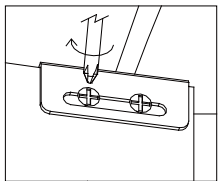
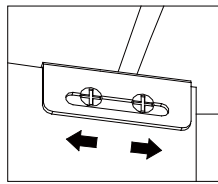
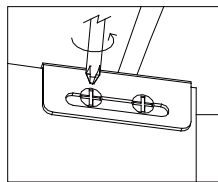
27



NEXT

EVIE EXTRA LARGE LIT SIDEBOARD W58482 Assembly instructions

28

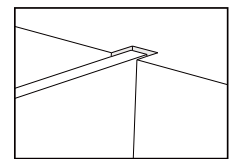
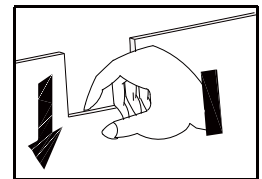
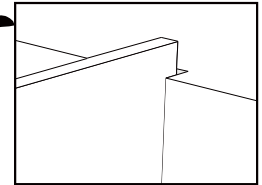
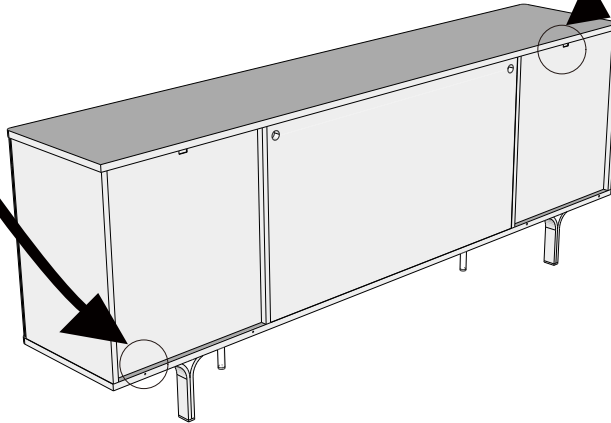
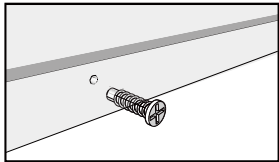
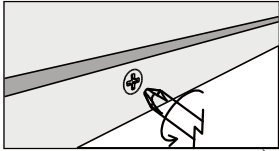


Screws are from step 22

29

To disassemble:

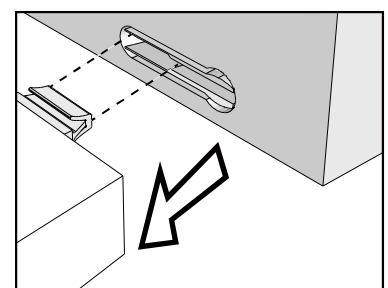
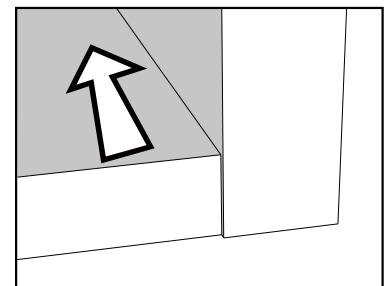
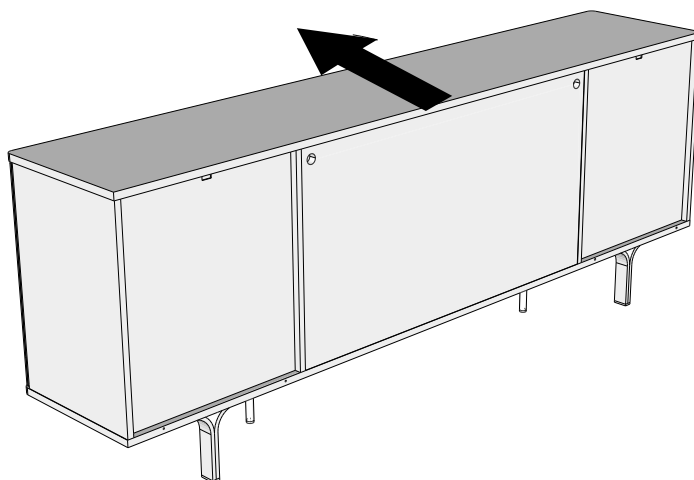
Step1: Remove the plastic wedge (T38) from the back plate, and remove the screws from the rear of the panel(4);



Step2: Press down the back panel so it is clear of the top panel slot;

30

Slide the top panel front to unlock, then lift off. Follow the same sequence to remove the other panels;

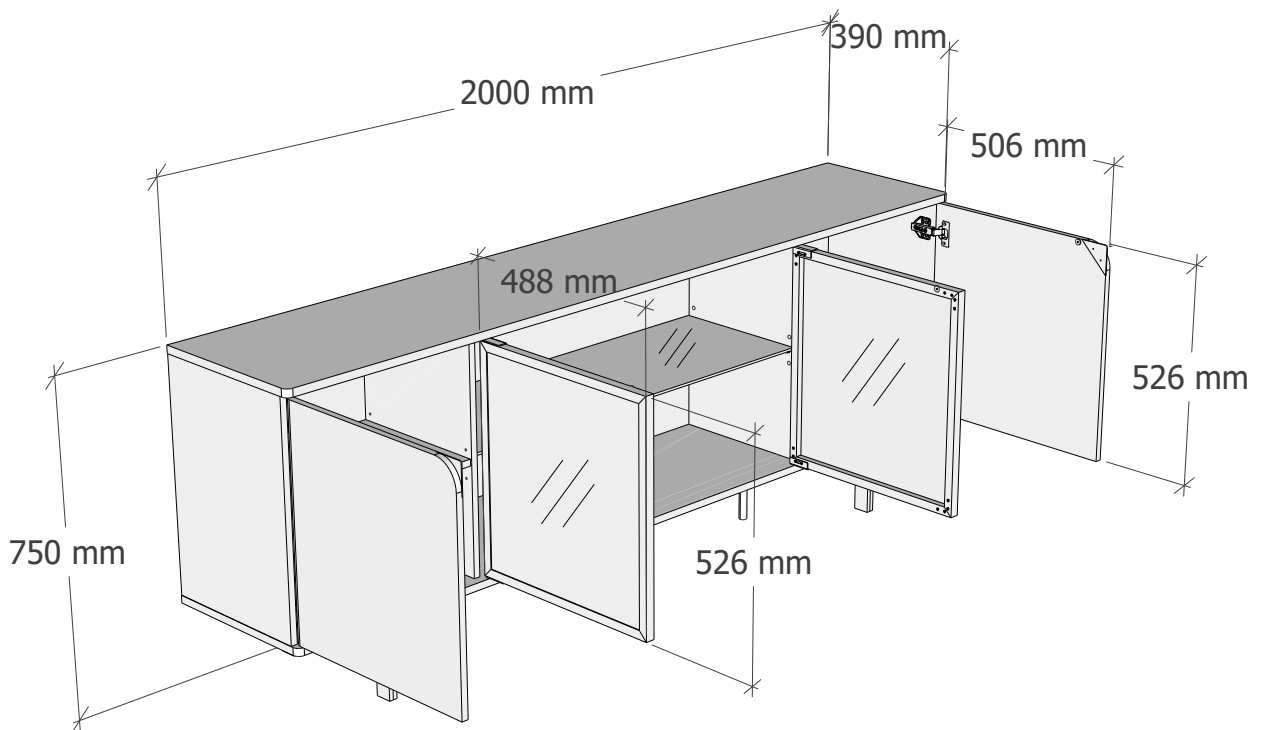


NEXT

EVIE EXTRA LARGE LIT SIDEBOARD W58482

Actual product size

H75 x W200 x D39 cm



NEXT

EVIE EXTRA LARGE LIT SIDEBOARD W58482

Warnings

We suggest you retain these instructions for future reference.

Keep fittings out of children's reach and keep children well away from construction area.

Please periodically check all fittings and re-tighten as necessary.

Please do not sit or stand on your furniture.

Avoid exposing the furniture to excessive heat or direct sunlight as this can cause deterioration of the colour.

Unwrap all packaging materials and place the components on top of the carton box or on a clean floor to protect it from damage

Name and Address: NEXT RETAIL LTD. LE19 4AT

Identification and model Number: W58482 EVIE EXTRA LARGE LIT SIDEBOARD

Date of Manufacture:

Contract number:

Nominal thickness of Glass: 6mm, Annealed glass

Country of Origin: China

If a glass component is chipped or broken replace with glass of the type described on this label. Consult with the retailer with regard to obtaining a manufacturing specification and shape for replacement glass quoting the model number, batch number and date of manufacture.

Missing parts

If you are missing any fixtures and fittings for your product. Please contact our customer service team on 0333 777 8999 and they will be happy to arrange for a replacement to be sent to you free of charge.

Home service technicians

If you have a fault with your product, please contact our customer service team on 0333 777 8999. If you have had the product for 28 days or less you may be offered a replacement, refund or for a fully trained home service technician to visit your home to assess the fault and repair the product where possible. If you have had the product for more than 28 days we will send an independent home service technician to review and repair the product where possible and recommend further action.

You can write to us at

Home Customer Services
Next Retail Ltd.
Desford Road,
Leicester,
LE19 4AT

To view our full furniture range please visit www.next.co.uk

NEXT EVIE EXTRA LARGE LIT SIDEBOARD

W58482

Contents and specification:

- X1 L.E.D type sideboard Which needs to be plugged in to function.
- This product contains LED strip which are non-replaceable.
- Integrated LED lamp/strip - bulbs not required.
- Average run time : 30,000 hours
- Wattage: 7.4W
- Light output : 100 lumens
- Colour temperature : 2 8 0 0 K - 3 0 0 0 K
- This product contains a light source of energy efficiency class F.
- In order to maintain the longevity of the product, please do not leave on for prolonged periods of time
- Wipe clean with a soft dry cloth. Never polish containing abrasives or solvents as they may damage the finish and electrical components.
- Light output:100 lumensColour temperature:2 800K-3 0 0 0 KIn order to maintain the longevity of the product, please do not leave on for prolonged periods of timeWipe clean with a soft dry cloth. Never polish containing abrasives or solvents as they may damage thefinish and electrical components.
- If the cable is damaged it should be replaced by a competent person only

NEXT LED LIGHT

MODEL NO: W58482

WITH LED DRIVER:100-240V- 50/60 HZ 0.063A 10.11W.PF0.618
WITHOUT LED DRIVER:12V==,0.62A,7.4W

CONTRACT NO. : IL8560814



**UK
CA**



Importer: Next PLC

Address: Phase 6, Desford Road, Enderby,
LE19 4AT, UK

**IF THE CABLE IS DAMAGED IT SHOULD BE
REPLACED BY A COMPETENT PERSON ONLY**