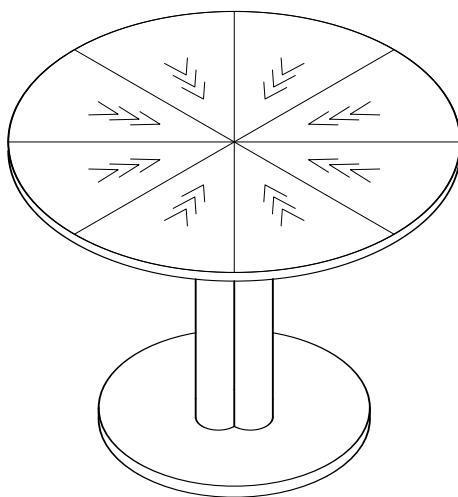


NEXT

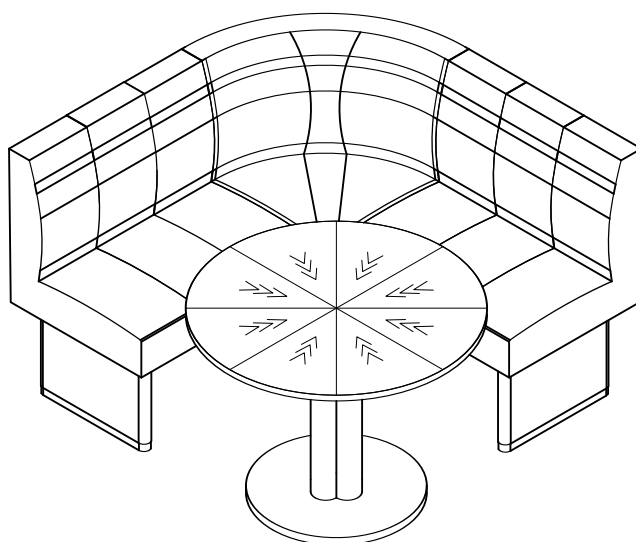
MIA MARQUETRY CORNER BENCH SET W61060 Assembly instructions

Actual product size
H75.5 x W100 x D100 cm

DINING TABLE



SET ITEM



Need Help ?

With: Assembly instruction
Missing or damaged parts

IMPORTANT - RETAIN FOR FUTURE REFERENCE

CALL: 0333 777 8999

BEFORE YOU START

Number of people required to assemble

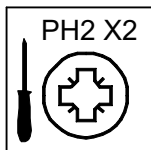
Two people are required to assemble this item



Time to assemble : 30 minutes



Tools required



not supplied

Do's

We suggest you spend a short time reading through this leaflet before you start.

When you are ready to start, make sure that you have the right tools and plenty of space.

Unwrap all packaging materials and place the components on a clean surface to protect it from damage, We recommend that the packaging is used to protect the surfaces during assembly.

Carefully check that you have all the parts before beginning assembly.

Due to the size of this product we recommend that it is assembled in the room intended for use.

Ensure the product is fully assembled as illustrated and all fixings fully tightened before use.

Wipe occasionally with a soft cloth slightly dampened with water. Then buff with a dry clean soft cloth.

Wood will mellow and change colour over time, we recommend that ornaments and items placed on the surface are moved regularly for the first few months to prevent uneven mellowing.

Don'ts

Do not drag or pull your furniture.

Do not rub or scrub the surface when cleaning.

Do not use silicone based furniture polish. Silicone in furniture polishes can break down the finish.

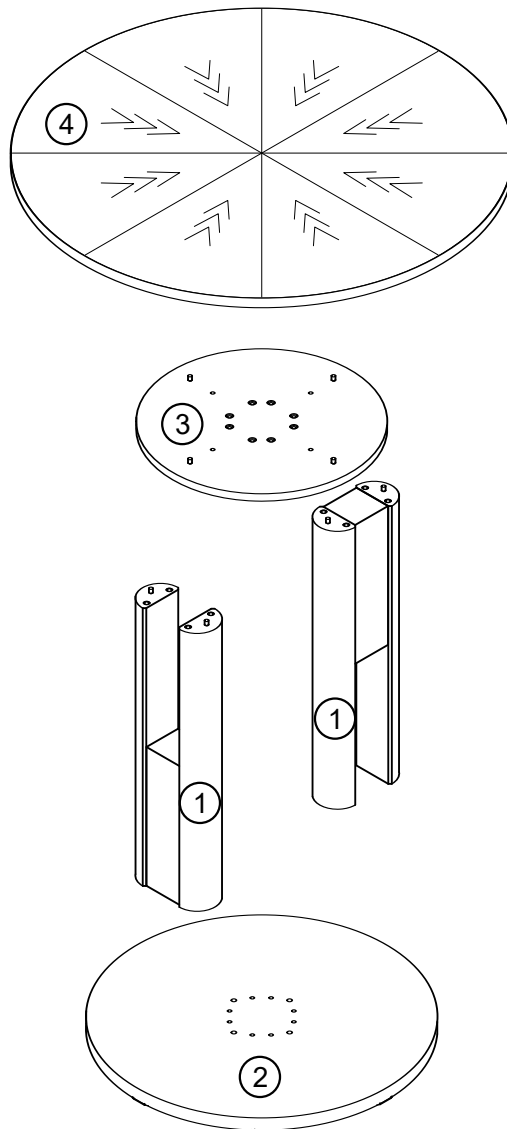
Never allow any kind of liquid to remain on your furniture.
Absorption can cause wood to warp or finishes to de-laminate.

Do not place hot items (e.g. hot drinks) directly on to the wood surface. Please make sure you use a placemat or coaster.

NEXT

MIA MARQUETRY CORNER BENCH SET
W61060
Assembly instructions

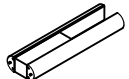
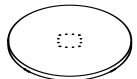

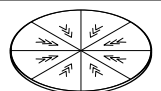
GETTING TO KNOW YOUR PRODUCT



NEXT

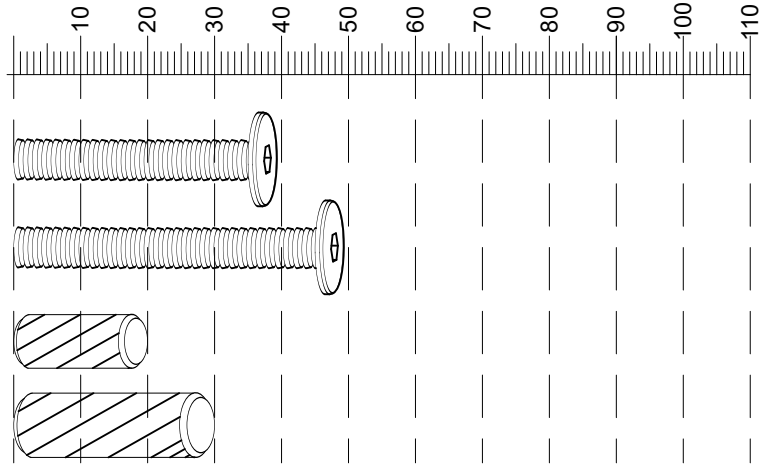
MIA MARQUETRY CORNER BENCH SET W61060 Assembly instructions

Components supplied. Please use this guide if you require replacement parts.


Ref	Dimensions	Visual	Qty	Ctn
1	20.5x68cm		2	1
2	70x70cm		1	1
3	50x50cm		1	1
4	100x100cm		1	1

Fixtures and fittings supplied (actual size)

Ref	Dimensions	Qty	Spare Qty
V47	Ø6 x 35mm	12	2
V77	Ø6 x 45mm	8	1
D8	Ø8 x 20mm	N/A	1
D6	Ø10 x 30mm	N/A	1



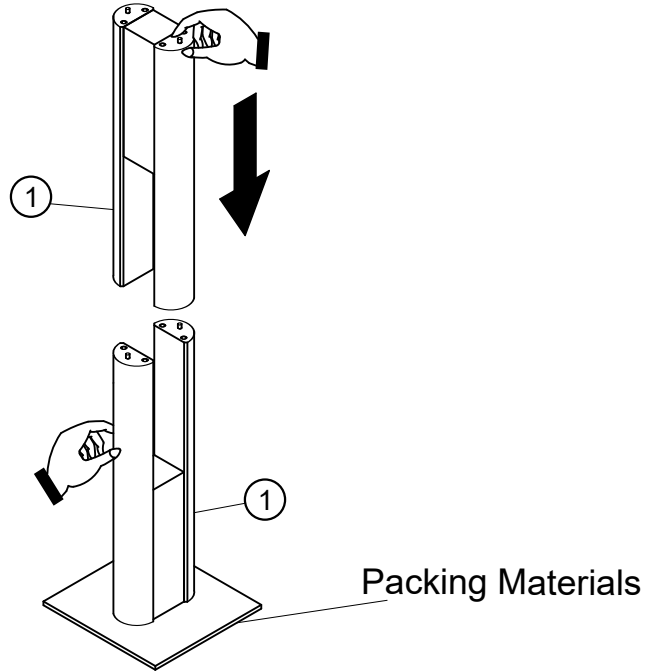
Fixtures and fittings supplied (not to scale)

Ref	Dimensions	Qty	Spare Qty	Visual
T4	N/A	2	N/A	

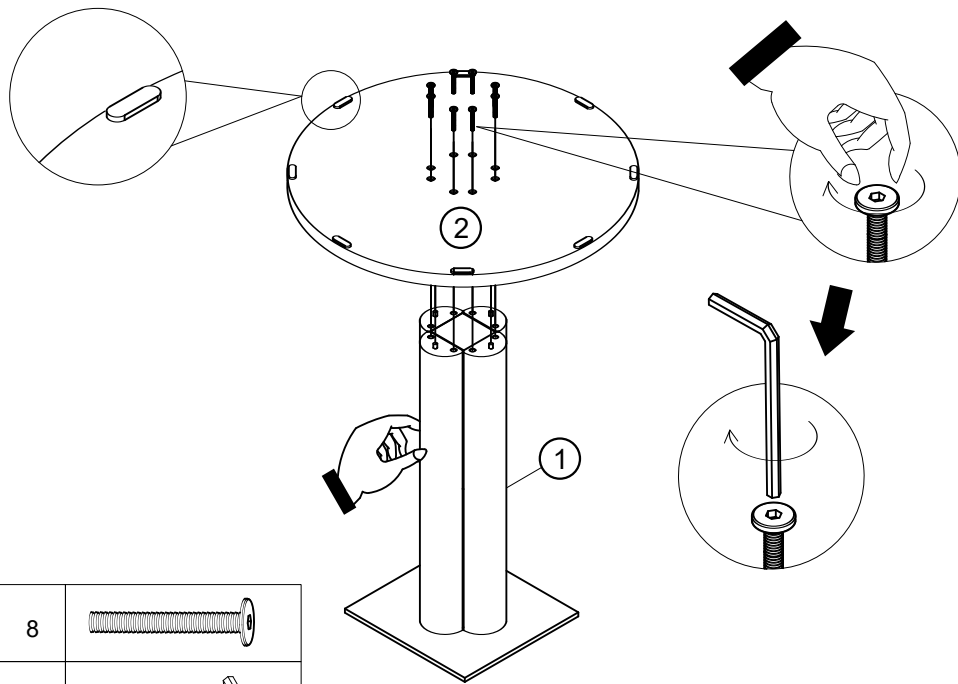
NEXT

MIA MARQUETRY CORNER BENCH SET W61060 Assembly instructions

1



2

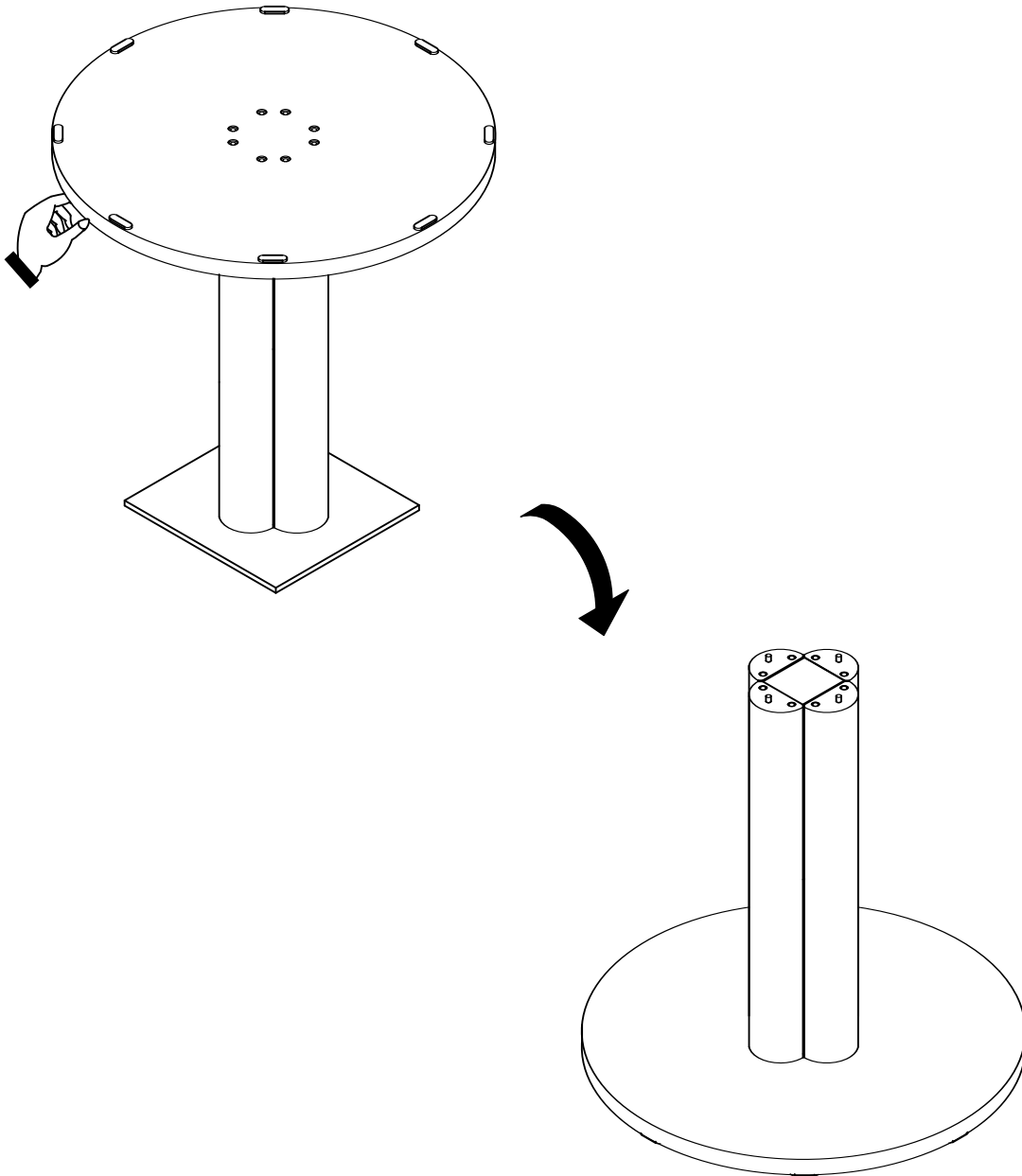


V77	Ø6 x 45mm	8	
T4	N/A	2	

NEXT

MIA MARQUETRY CORNER BENCH SET W61060 Assembly instructions

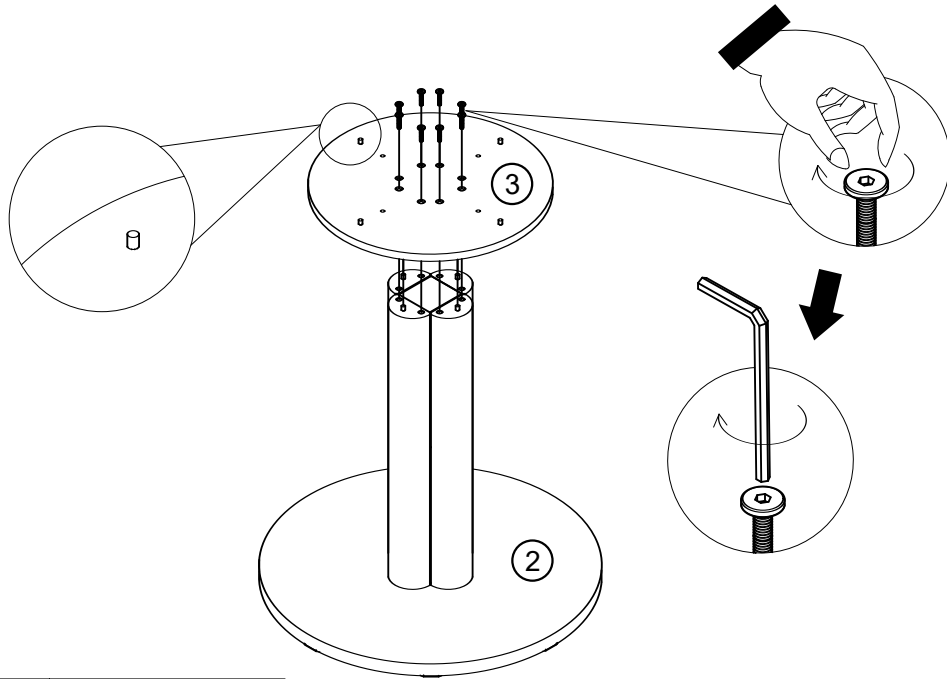
3

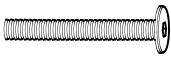



NEXT

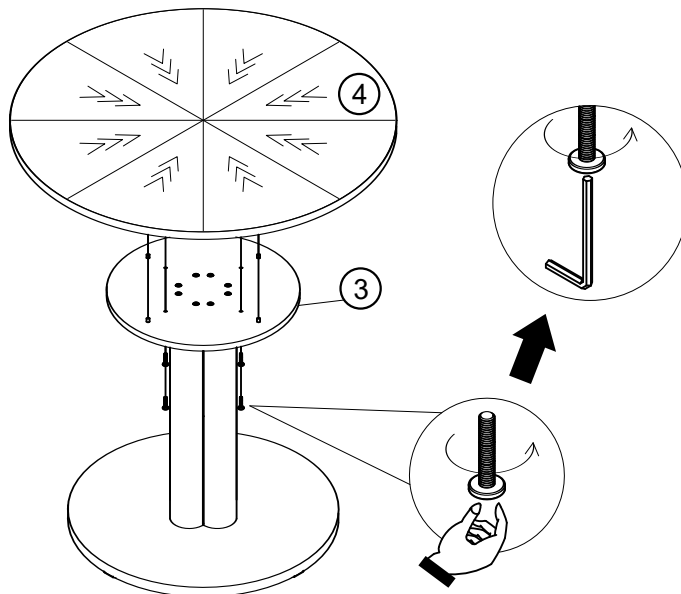
MIA MARQUETRY CORNER BENCH SET W61060 Assembly instructions

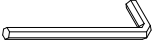

4



V47	Ø6 x 35mm	8	
T4	N/A	2	

5

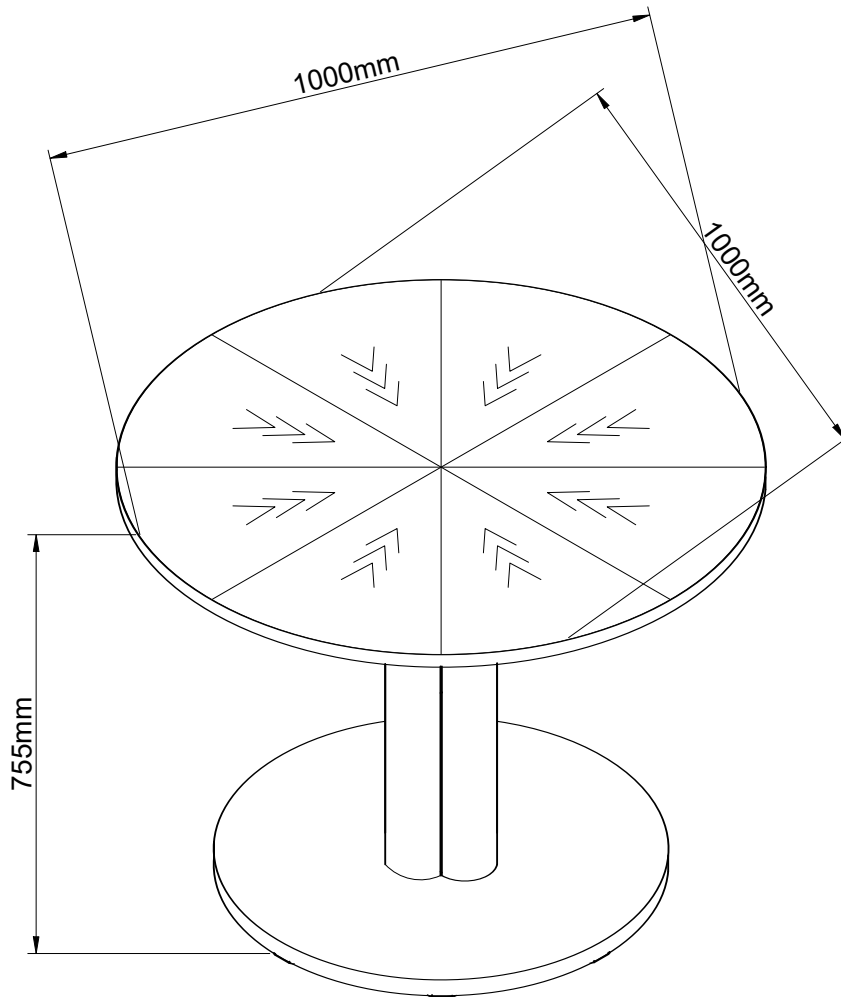


T4	N/A	2	
V47	Ø6 x 35mm	4	

NEXT

MIA MARQUETRY CORNER BENCH SET W61060

Actual product size
H75.5 x W100 x D100 cm



NEXT

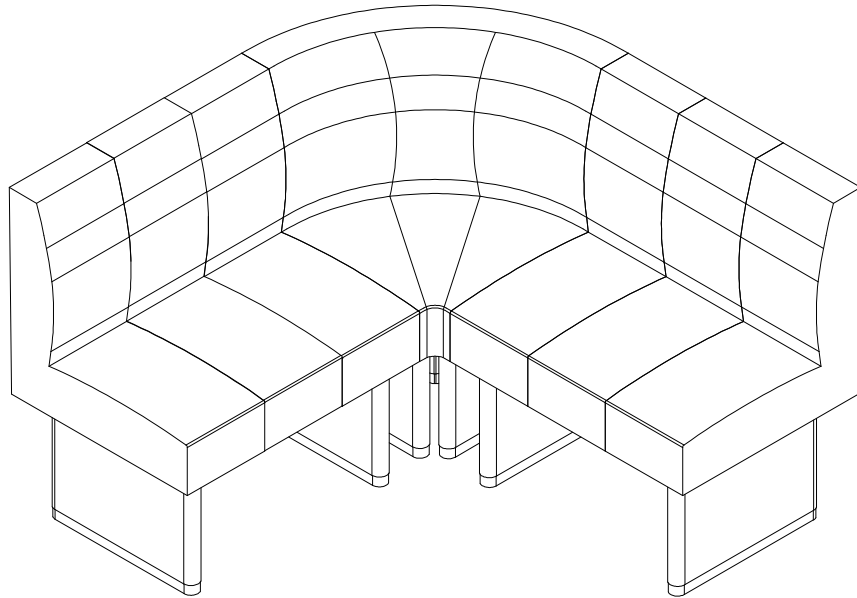
MIA MARQUETRY CORNER BENCH SET

W61060

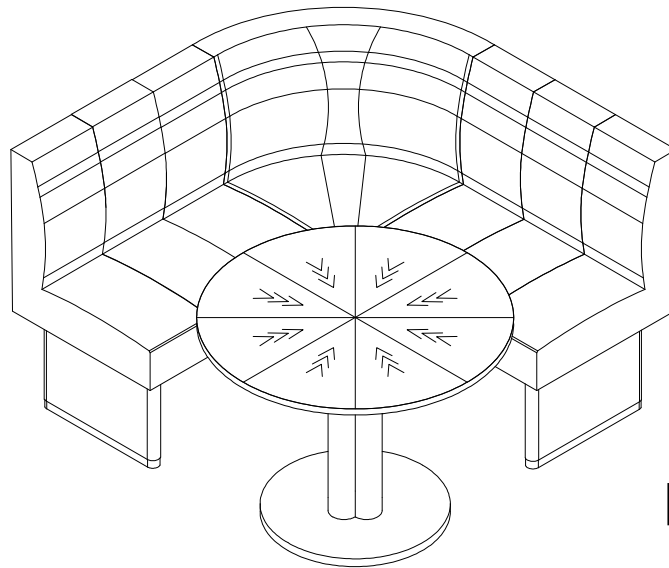
Assembly instructions

Actual product size
H92.5 x W149 x D149 cm

CORNER BENCH



SET ITEM



Need Help ?

With: Assembly instruction
Missing or damaged parts

IMPORTANT - RETAIN FOR FUTURE REFERENCE

CALL: 0333 777 8999

NEXT

MIA MARQUETRY CORNER BENCH SET W61060 Assembly instructions

BEFORE YOU START

Number of people required to assemble

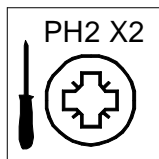
Two people are required to assemble this item



Time to assemble : 30 minutes



Tools required



not supplied

Do's

We suggest you spend a short time reading through this leaflet before you start.

When you are ready to start, make sure that you have the right tools and plenty of space.

Unwrap all packaging materials and place the components on a clean surface to protect it from damage, We recommend that the packaging is used to protect the surfaces during assembly.

Carefully check that you have all the parts before beginning assembly.

Due to the size of this product we recommend that it is assembled in the room intended for use.

Ensure the product is fully assembled as illustrated and all fixings fully tightened before use.

Wipe occasionally with a soft cloth slightly dampened with water. Then buff with a dry clean soft cloth.

Wood will mellow and change colour over time, we recommend that ornaments and items placed on the surface are moved regularly for the first few months to prevent uneven mellowing.

Don'ts

Do not drag or pull your furniture.

Do not rub or scrub the surface when cleaning.

Do not use silicone based furniture polish. Silicone in furniture polishes can break down the finish.

Never allow any kind of liquid to remain on your furniture. Absorption can cause wood to warp or finishes to de-laminate.

Do not place hot items (e.g. hot drinks) directly on to the wood surface. Please make sure you use a placemat or coaster.

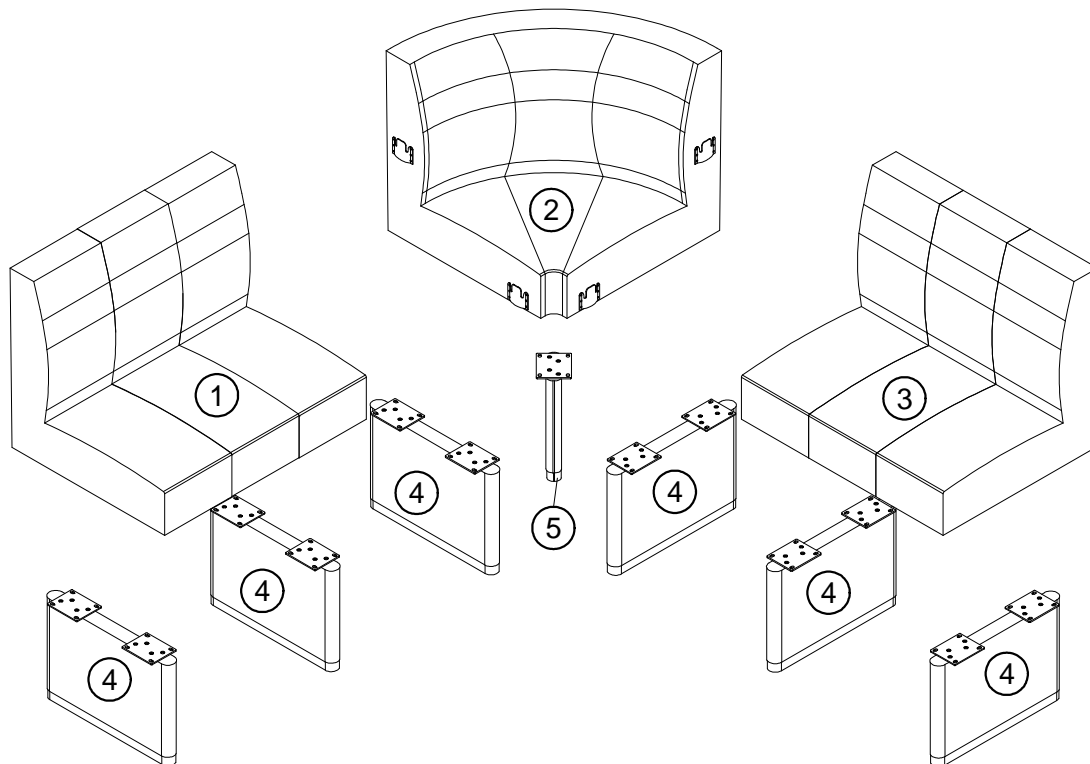
NEXT

MIA MARQUETRY CORNER BENCH SET

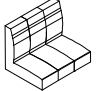
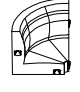
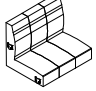
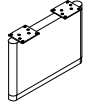
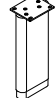
W61060

Assembly instructions

GETTING TO KNOW YOUR PRODUCT

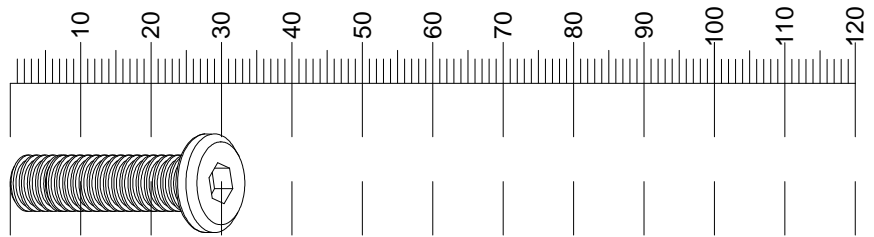


Components supplied. Please use this guide if you require replacement parts.


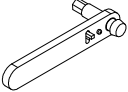



Ref	Dimensions	Visual	Qty	Ctn
1	60x83cm		1	4
2	60x83cm		1	5
3	60x83cm		1	3
4	35x50cm		6	2
5	14x35cm		1	2

Fixtures and fittings supplied (actual size)

Ref	Dimensions	Qty	Spare Qty
W11	Ø8 x 25mm	52	2



Fixtures and fittings supplied (not to scale)

Ref	Dimensions	Qty	Spare Qty	Visual
Q3	N/A	52	2	
T10	N/A	1	N/A	
T5	N/A	1	N/A	
O1	Ø38mm	14	2	
Q12	N/A	52	2	

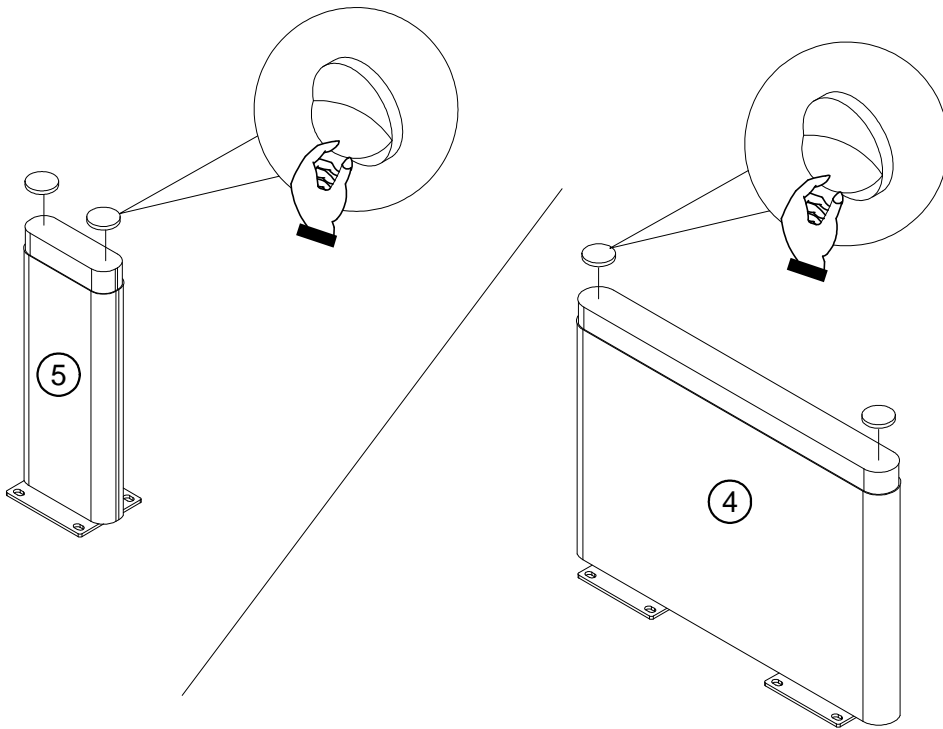
NEXT

MIA MARQUETRY CORNER BENCH SET

W61060

Assembly instructions

1



X6

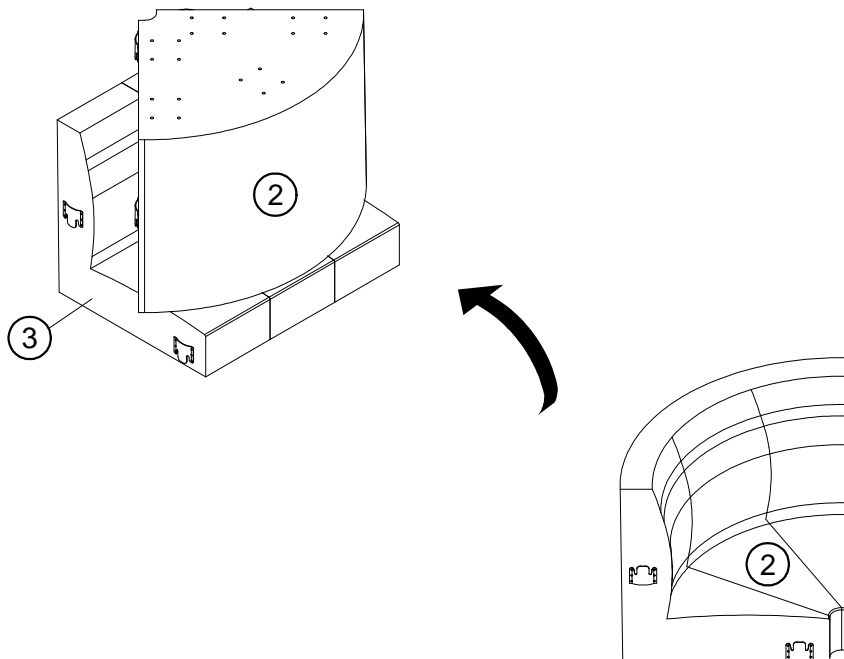
O1

Ø38mm

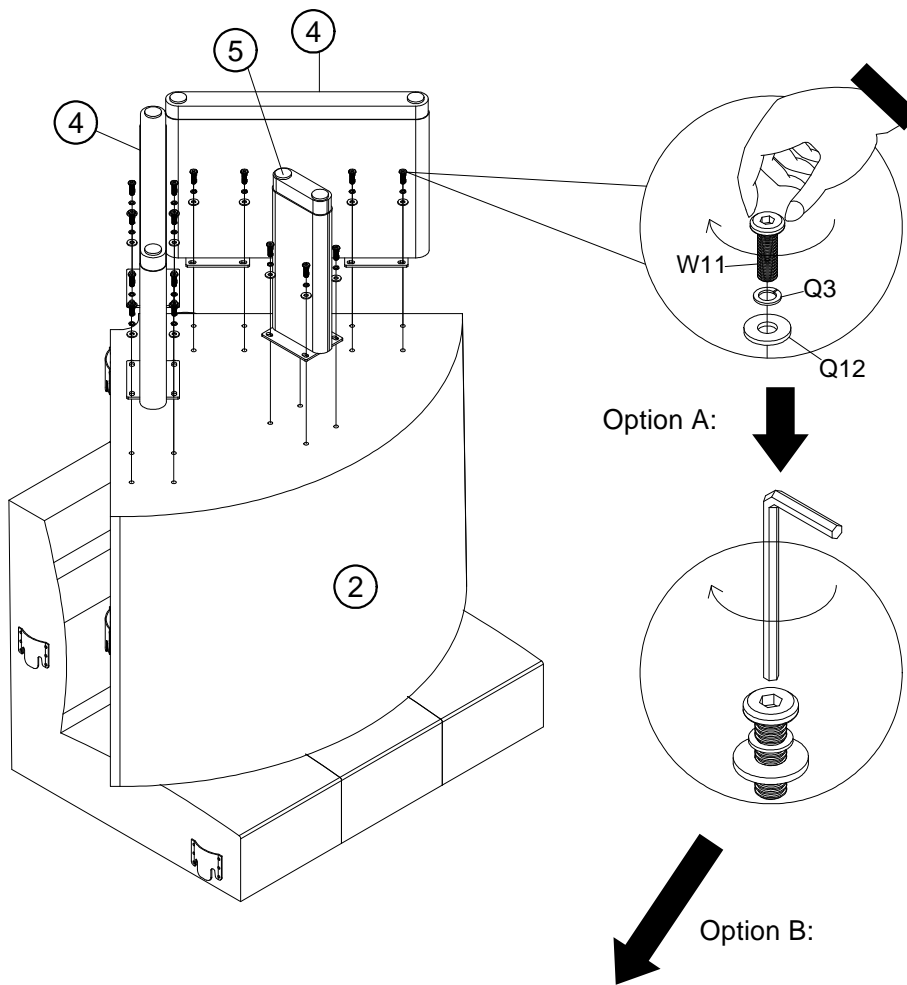
14



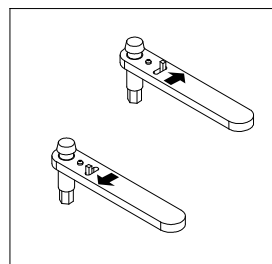
2



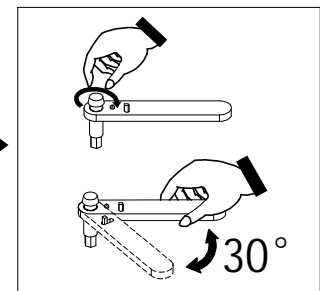
3



W11	Ø8 x 25mm	20	
T5	N/A	1	
Q12	N/A	20	
Q3	N/A	20	
T10	N/A	1	



Direction Switch
 ← Left: Clockwise (Tighten)
 → Right: Counterclockwise (Loosen)



Operation
 Swing handle within 15°-30° arc
 using ratchet mechanism.

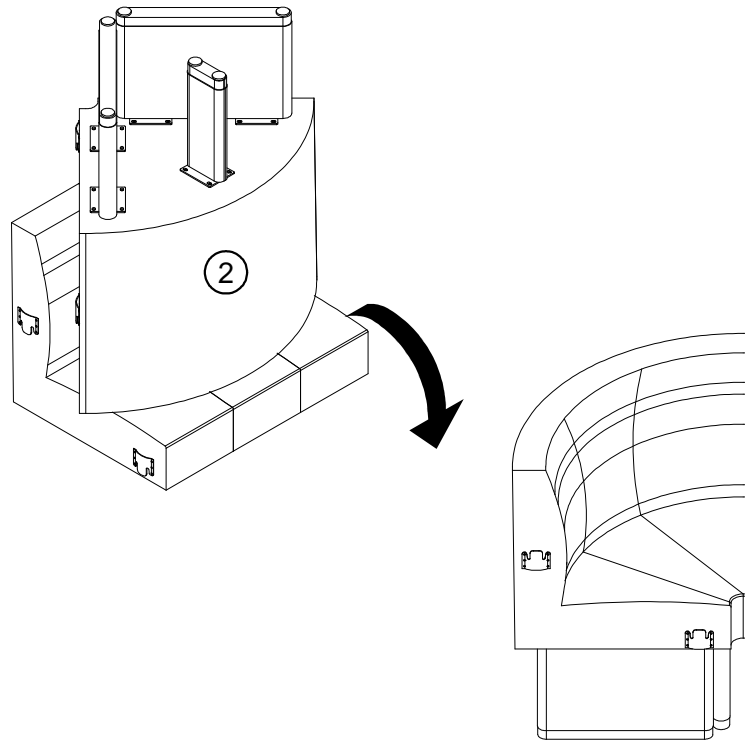
NEXT

MIA MARQUETRY CORNER BENCH SET

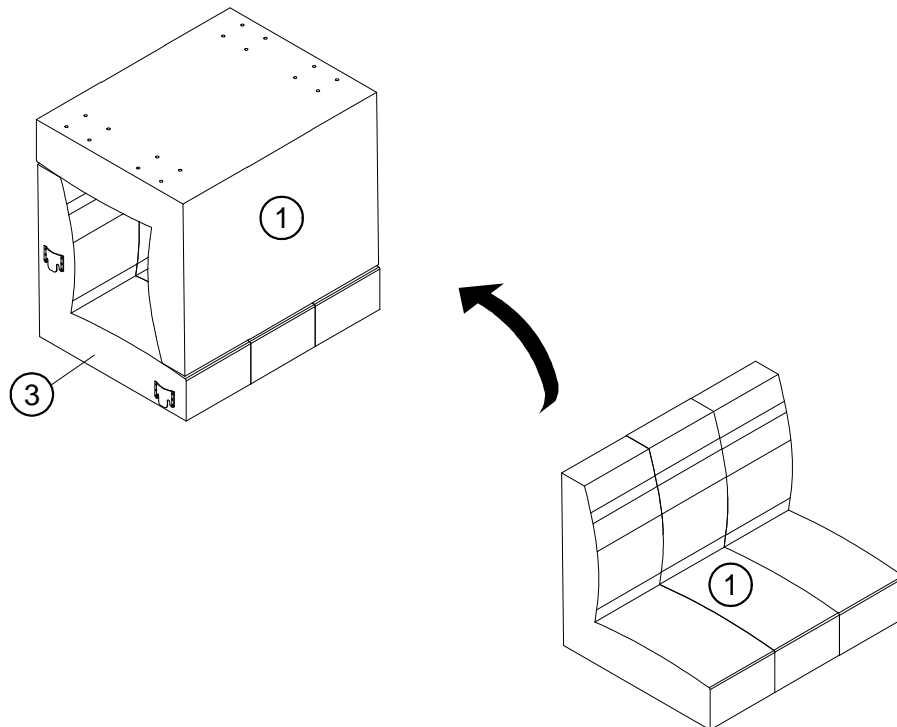
W61060

Assembly instructions

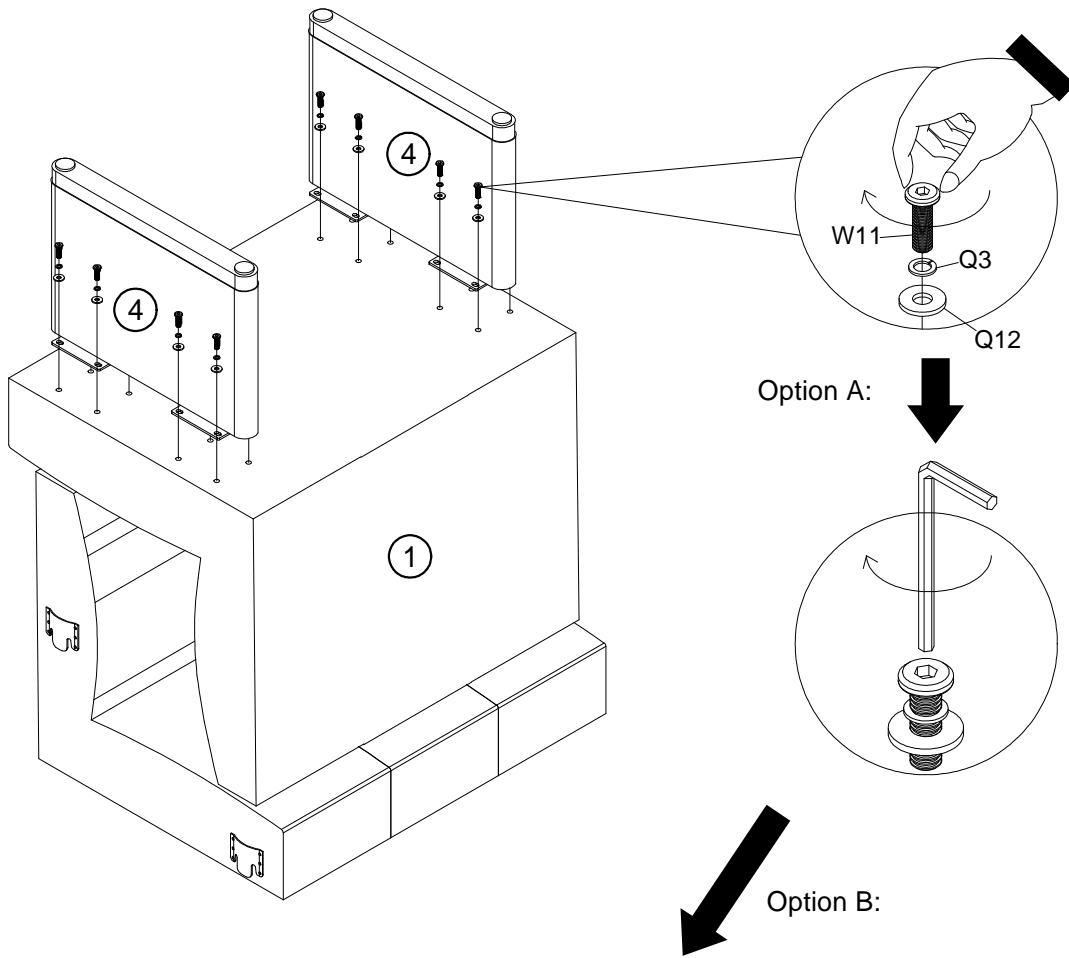
4



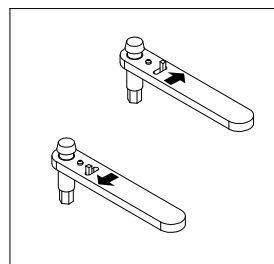
5



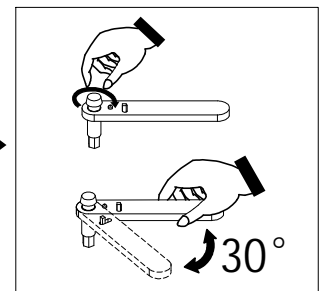
6



W11	Ø8 x 25mm	16	
T5	N/A	1	
Q12	N/A	16	
Q3	N/A	16	
T10	N/A	1	



Direction Switch
 ← Left: Clockwise (Tighten)
 → Right: Counterclockwise (Loosen)



Operation
 Swing handle within 15°-30° arc
 using ratchet mechanism.

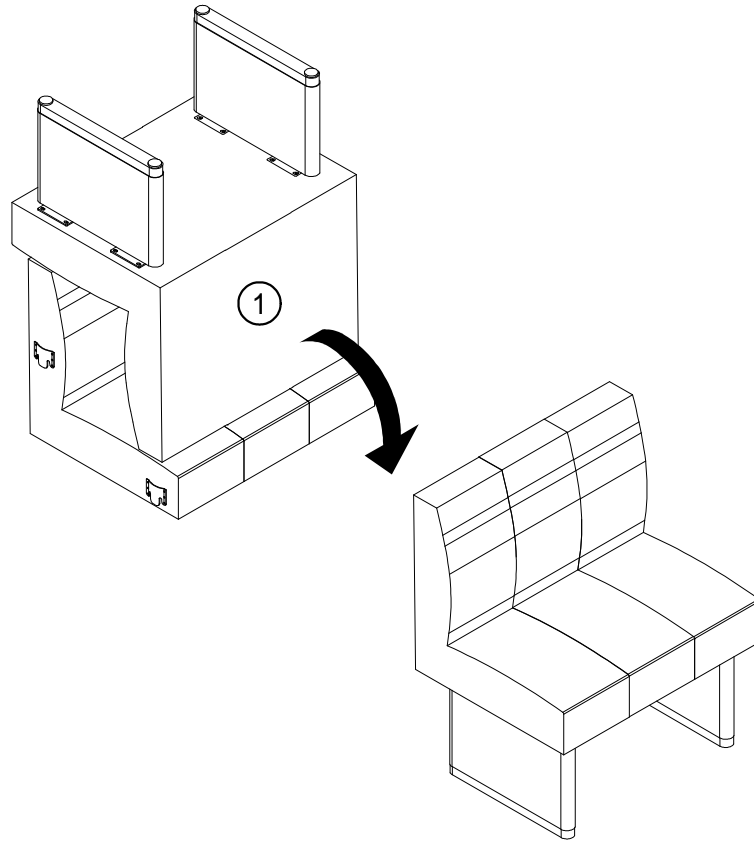
NEXT

MIA MARQUETRY CORNER BENCH SET

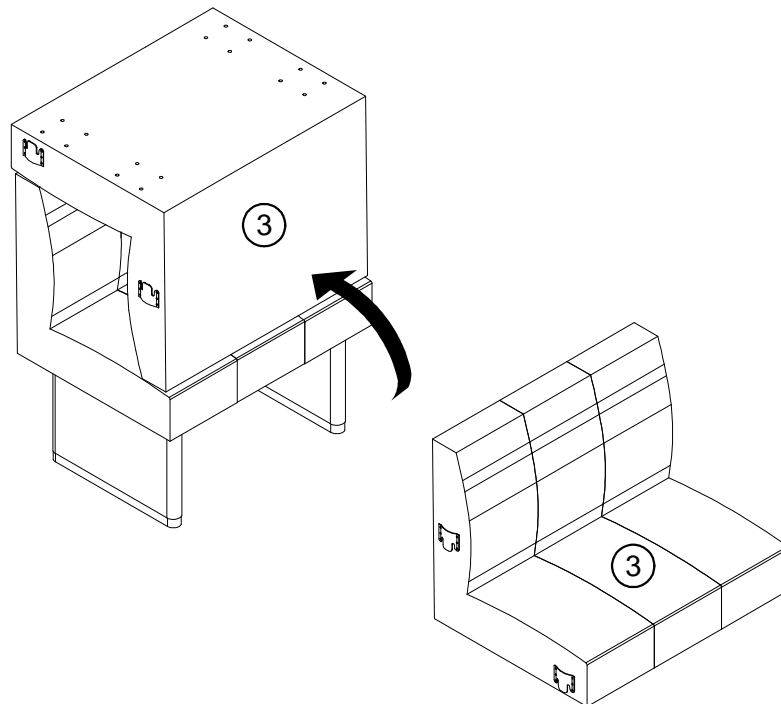
W61060

Assembly instructions

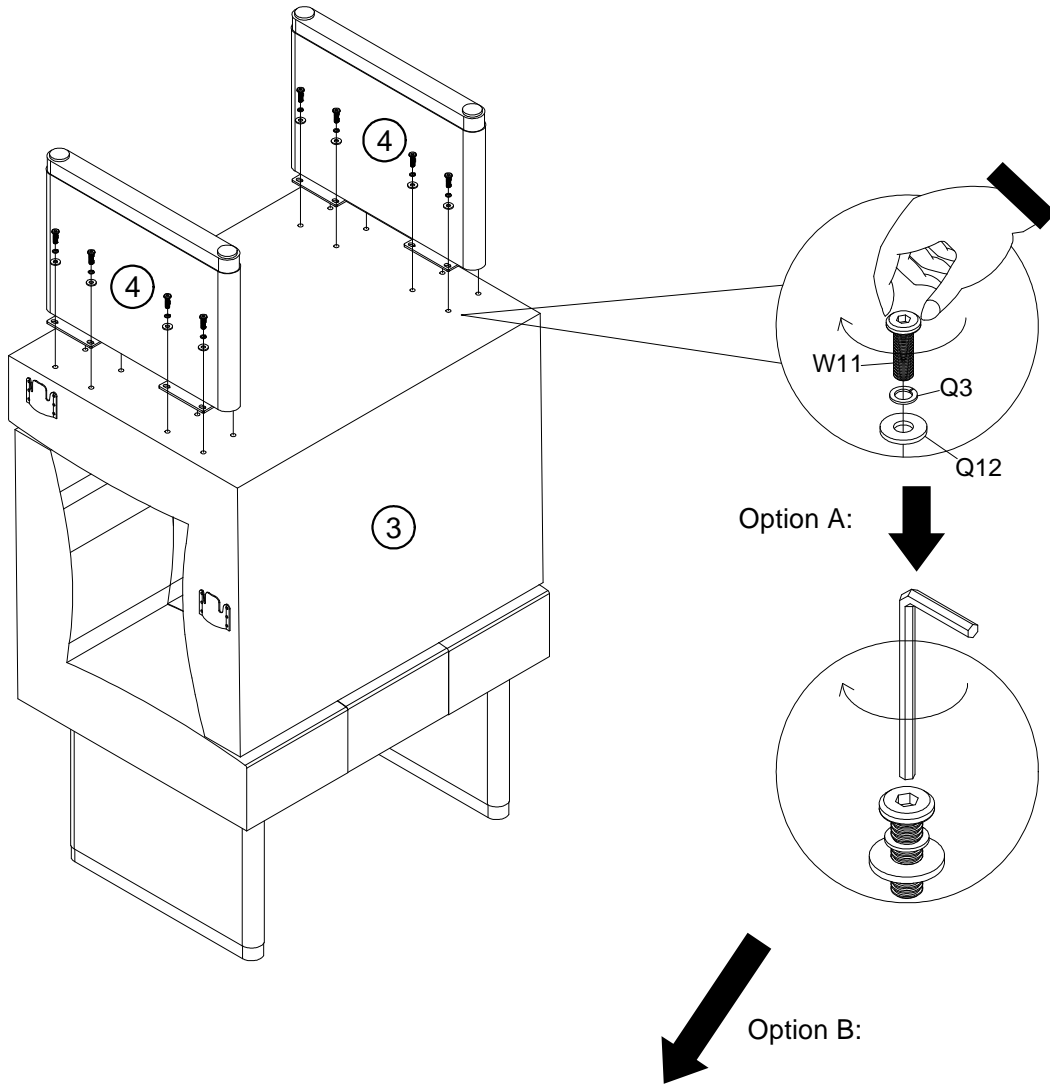
7



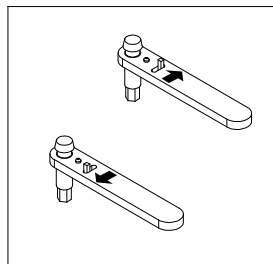
8



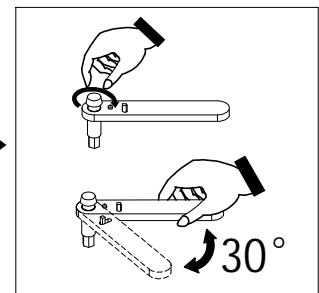
9



W11	Ø8 x 25mm	16	
T5	N/A	1	
Q12	N/A	16	
Q3	N/A	16	
T10	N/A	1	



Direction Switch
 ← Left: Clockwise (Tighten)
 → Right: Counterclockwise (Loosen)



Operation
 Swing handle within 15°-30° arc using ratchet mechanism.

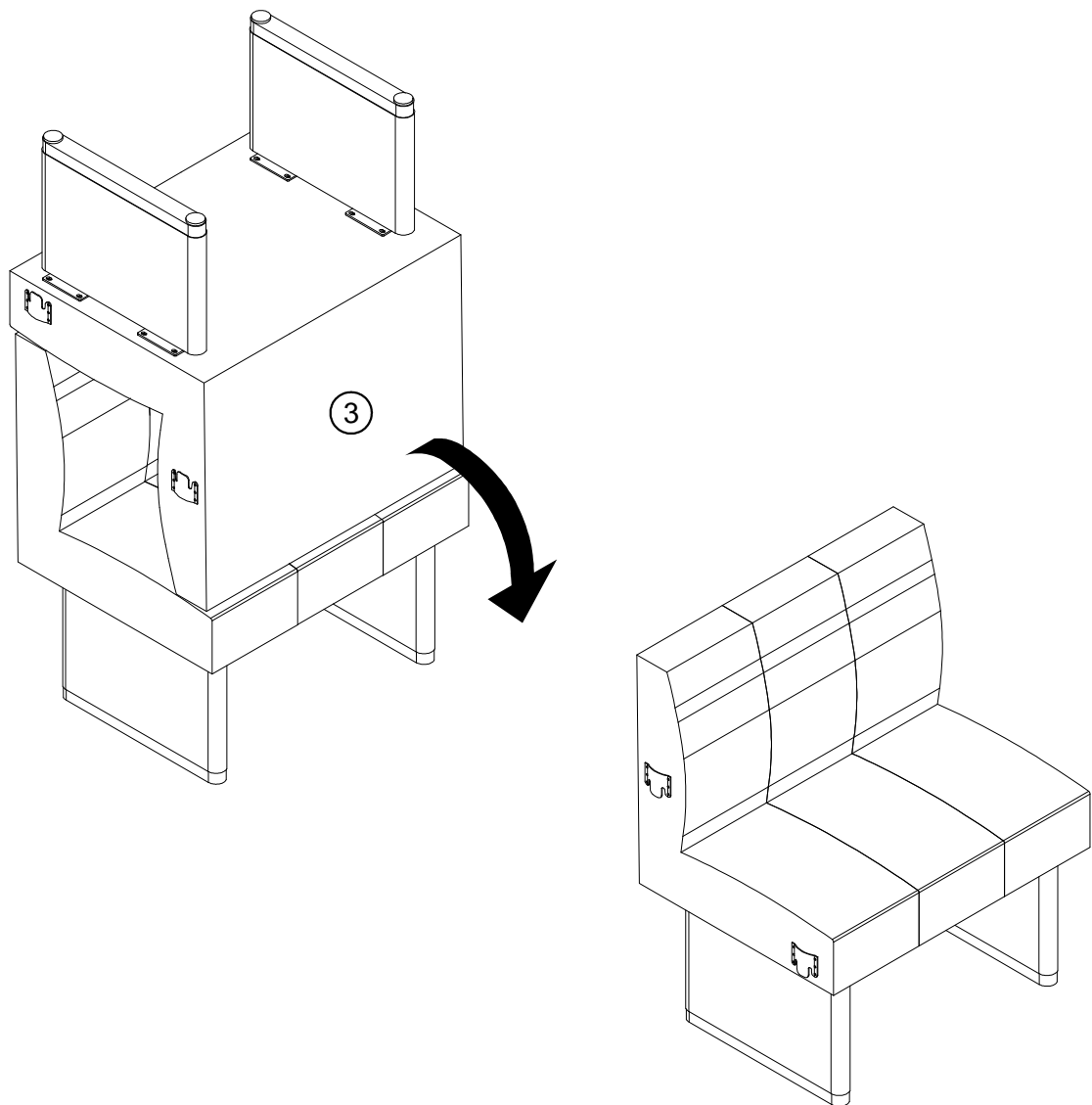
NEXT

MIA MARQUETRY CORNER BENCH SET

W61060

Assembly instructions

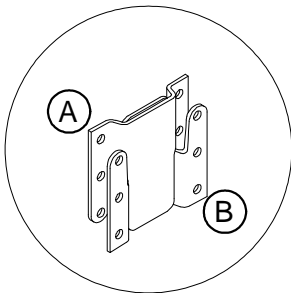
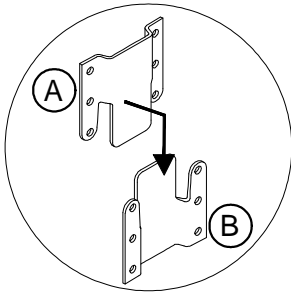
10



11

Warning:

- Two people to assemble the sofa and to lift the sofa into position.
- Do not lift the sofa when assembled.



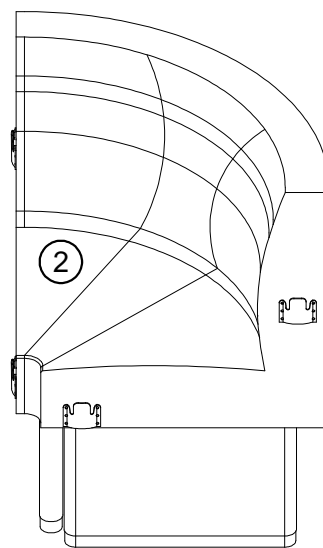
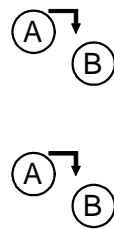
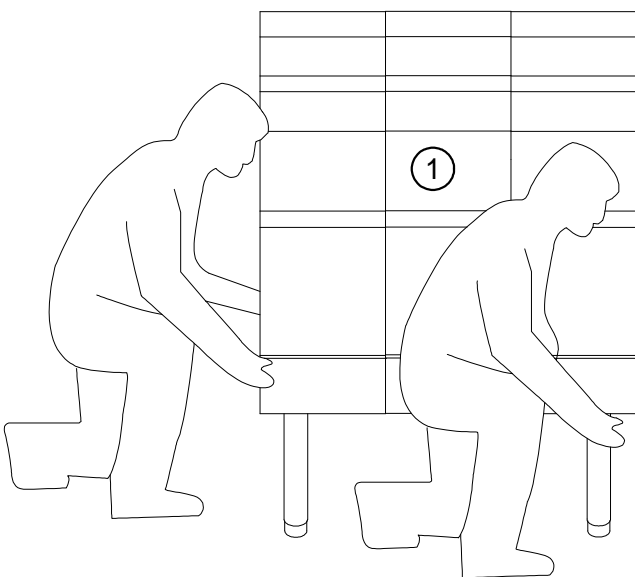
Instructions for linkage

The linkage is made through a hook A to be inserted in another hook B.

Step 1: Lift part (1) / Hook A (Backrest side first) down into Backrest/Hook B

Step 2 : Place the cushion front (Hook A) down into Hook B.

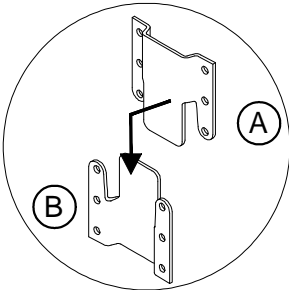
Step 3 : Ensure all parts are connected and push down so all hooks are linked.



12

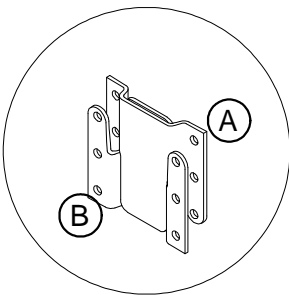
Warning:

- Two people to assemble the sofa and to lift the sofa into position.
- Do not lift the sofa when assembled.



Instructions for linkage

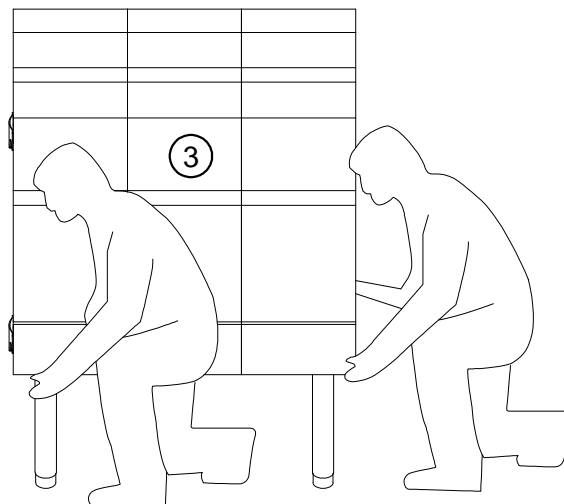
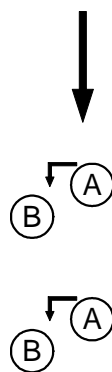
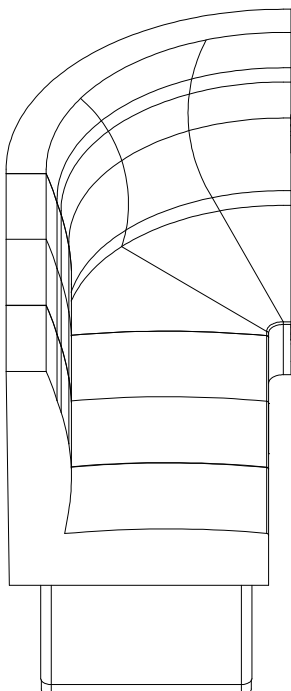
The linkage is made through a hook A to be inserted in another hook B.



Step 1: Lift part (3) / Hook A (Backrest side first) down into Backrest/Hook B

Step 2 : Place the cushion front (Hook A) down into Hook B.

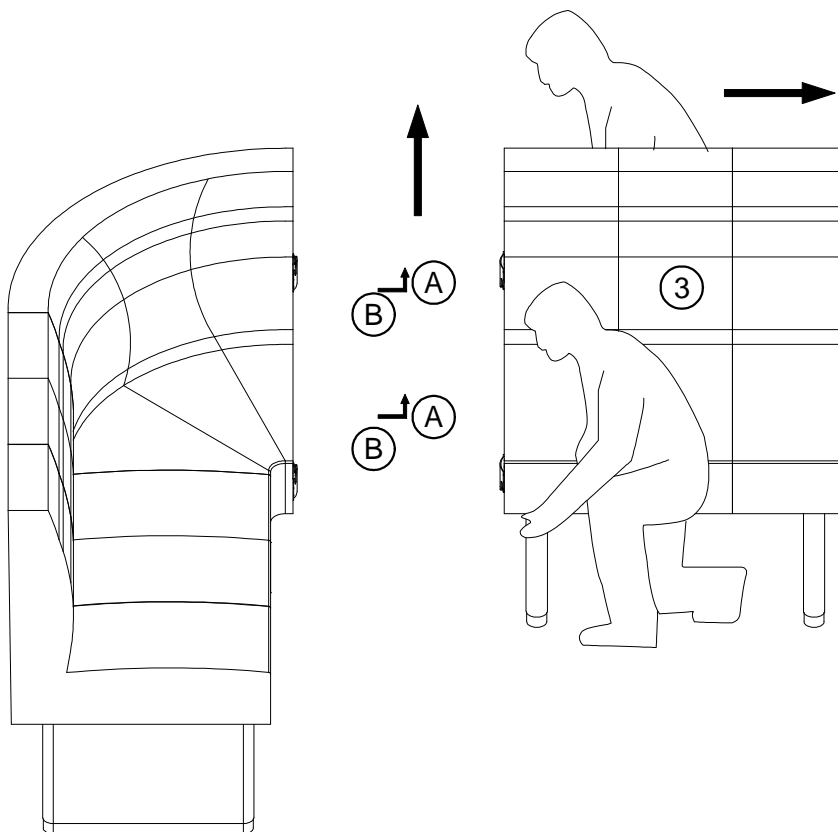
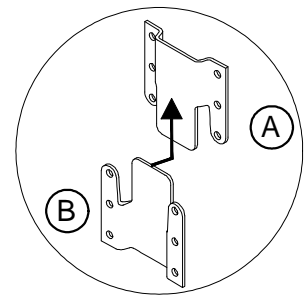
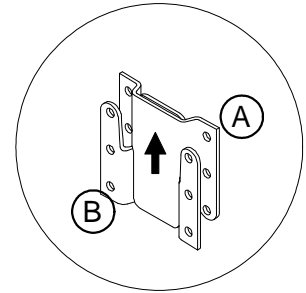
Step 3 : Ensure all parts are connected and push down so all hooks are linked.



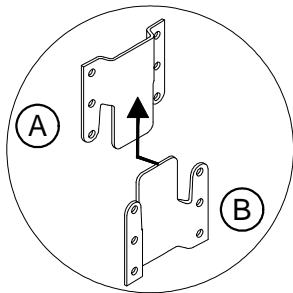
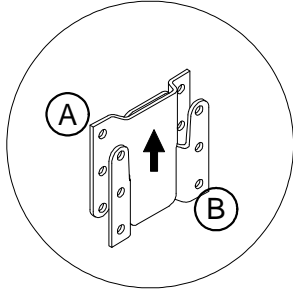
13

How to disassemble

Lift part (3) and lift hook A out from hook B.

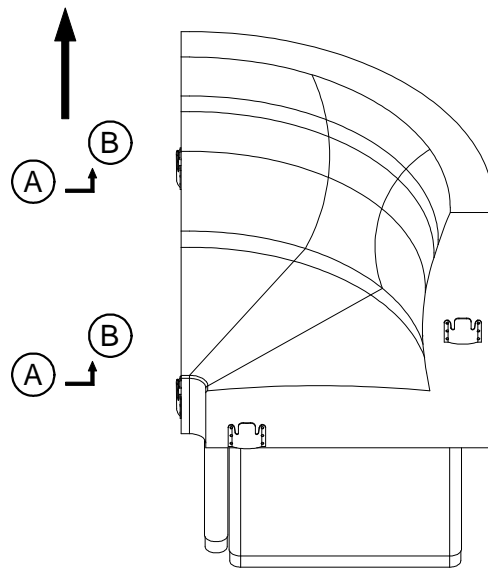
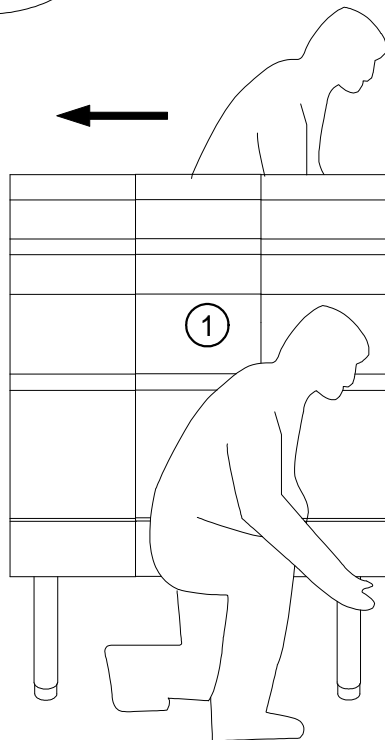


14



How to disassemble

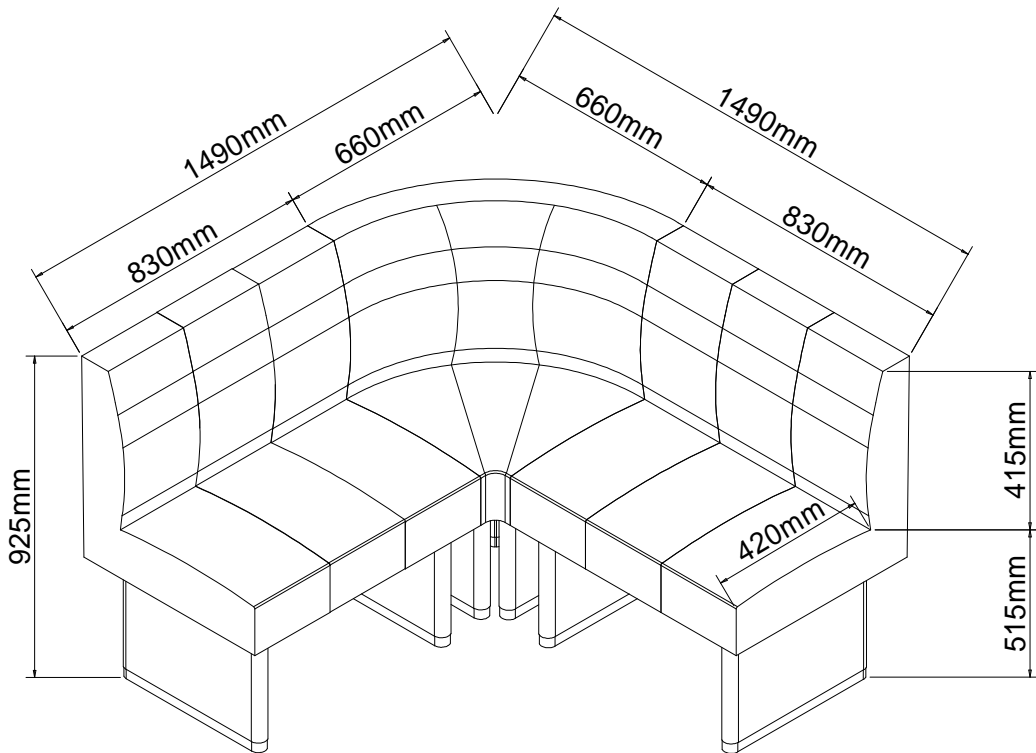
Lift part (1) and lift hook A out from hook B.



NEXT

MIA MARQUETRY CORNER BENCH SET W61060

Actual product size
H92.5 x W149 x D149 cm



NEXT

MIA MARQUETRY CORNER BENCH SET W61060

Warnings

We suggest you retain these instructions for future reference.

Keep fittings out of children's reach and keep children well away from construction area.

This product should only be used on firm level ground.

Please periodically check all fittings and re-tighten as necessary.

Please do not sit or stand on your furniture.

Avoid exposing the furniture to excessive heat or direct sunlight as this can cause deterioration of the colour.

Unwrap all packaging materials and place the components on top of the carton box or on a clean floor to protect it from damage

Missing parts

If you are missing any fixtures and fittings for your product. Please contact our customer service team on 0333 777 8999 and they will be happy to arrange for a replacement to be sent to you free of charge.

Home service technicians

If you have a fault with your product, please contact our customer service team on 0333 777 8999. If you have had the product for 28 days or less you may be offered a replacement, refund or for a fully trained home service technician to visit your home to assess the fault and repair the product where possible. If you have had the product for more than 28 days we will send an independent home service technician to review and repair the product where possible and recommend further action.

You can write to us at

Home Customer Services
Next Retail Ltd.
Desford Road,
Leicester,
LE19 4AT

To view our full furniture range please visit www.next.co.uk