

# BEFORE YOU GET STARTED...

*We're confident you'll love your gorgeous new Next furniture. However, it's worth making absolutely certain before you put it all together.*

*So, let's quickly run through these three steps:*

## 1. COLOUR

Make sure you're happy with the colour  
No need to unpack everything, just check the first component.

## 2. PROTECTIVE PACKAGING

If you're happy, then it's time to get opening! Start by laying everything out on the protective packaging – this will prevent anything getting scratched.

## 3. PARTS PAGE

Finally, double check you have all the pieces by referencing the parts page of the instructions.

## TIPS FOR RETURNS

Not completely happy with the product? No problem. We just need everything back in the original packaging, so follow the steps below and this will ensure a super-smooth returns process and no delay to your refund.

DO



- Check everything is there (the 'parts page' is a handy checklist).
- Pop all the loose fittings and fixtures into the packaging provided or tie them up in a plastic bag.
- Wrap all the big components back up in the original protective packaging.
- Close up the box and seal it securely (don't be afraid to use plenty of tape).

DON'T



- Leave anything assembled - all components should be dismantled and separately packed.
- Put loose fixtures and fittings straight into the box.
- Throw it back in the box carelessly – as it may get damaged.

**NEXT  
HOME**

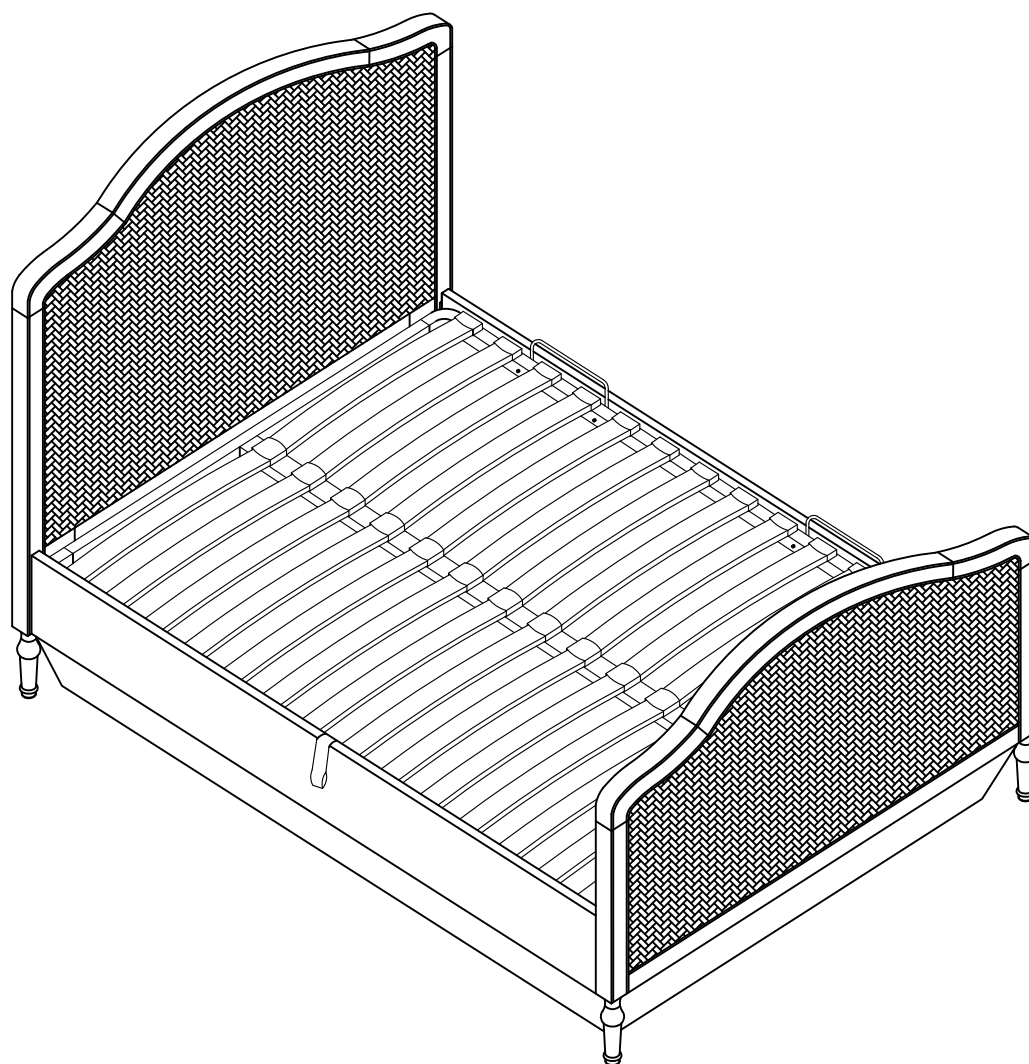
Then just give us a call on 0333 777 8999 and we'll sort out a pick up time for you.

### Assembly instructions

#### Actual product size

Double W144cm X L201.5cm X H120.5cm

King W159cm X L211.5cm X H120.5cm



Item number	Fabric name	Fabric composition
W62260	N/A	N/A

### Need Help?

With: Assembly Instructions  
Missing or damaged parts  
CALL: 0333 777 8999

**IMPORTANT - RETAIN FOR FUTURE REFERENCE**

## Assembly instructions

### BEFORE YOU START

#### Warnings

We suggest you retain these instructions for future reference.

Keep fittings out of children's reach and keep children well away from construction area.

This product should only be used on firm level ground.

Please periodically check all fittings and re-tighten as necessary.

Please do not stand on your bed.

Avoid exposing the furniture to excessive heat or direct sunlight as this can cause damage to the materials and deterioration of the colour.

#### Do's

We suggest you spend a short time reading through this leaflet before you start.

When you are ready to start, make sure that you have the right tools, plenty of space.

Due to the size of this product we recommend that it is assembled in the room intended for use.

Unwrap all packaging materials and place the components on a clean surface to protect them from damage.

We recommend that the packaging is used to protect the surfaces during assembly.

Carefully check that you have all the parts before beginning assembly.

Ensure the product is fully assembled as illustrated and all fixings are fully tightened before use. Check fixings regularly to ensure they remain tight.

When moving the assembled bed, remove mattress, and lift the bed. Do not drag the bed, as this can cause structural damage. Please check that the centre support rail is securely fixed in place.

When adjusting the support legs ensure that the foot is set 5mm from the floor surface without the mattress in place. When in use the legs will create the required support for the product.

Never allow any kind of liquid to remain on your furniture. Absorption can cause materials to warp or finishes to de-laminate.

To clean your item, please use a vacuum or lightly brush clean. Never allow any kind of liquid to remain on your furniture. Absorption can cause finishes to de-laminate.

#### Don'ts

Do not tighten screws until fully assembled.

Do not over tighten screws or bolts.

Do not drag or pull your furniture.

Do not use this product if parts are missing, damaged or worn.

Never use scourers, abrasives or chemical cleaners.

Number of people required to assemble

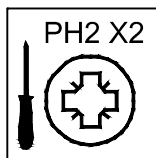
Two people are required to assemble this item



Time to assemble :1.5 hours



#### Tools required



not supplied

#### Missing parts

If you are missing any fixtures and fittings for your product please contact our customer service team on 0333 777 8999 and they will be happy to arrange for a replacement to be sent to you free of charge.

#### Home service technicians

If you have a fault with your product please contact our customer service team on 0333 777 8999. If you have had the product for 28 days or less you may be offered a replacement, refund or for a fully trained home service technician to visit your home to assess the fault and repair the product where possible.

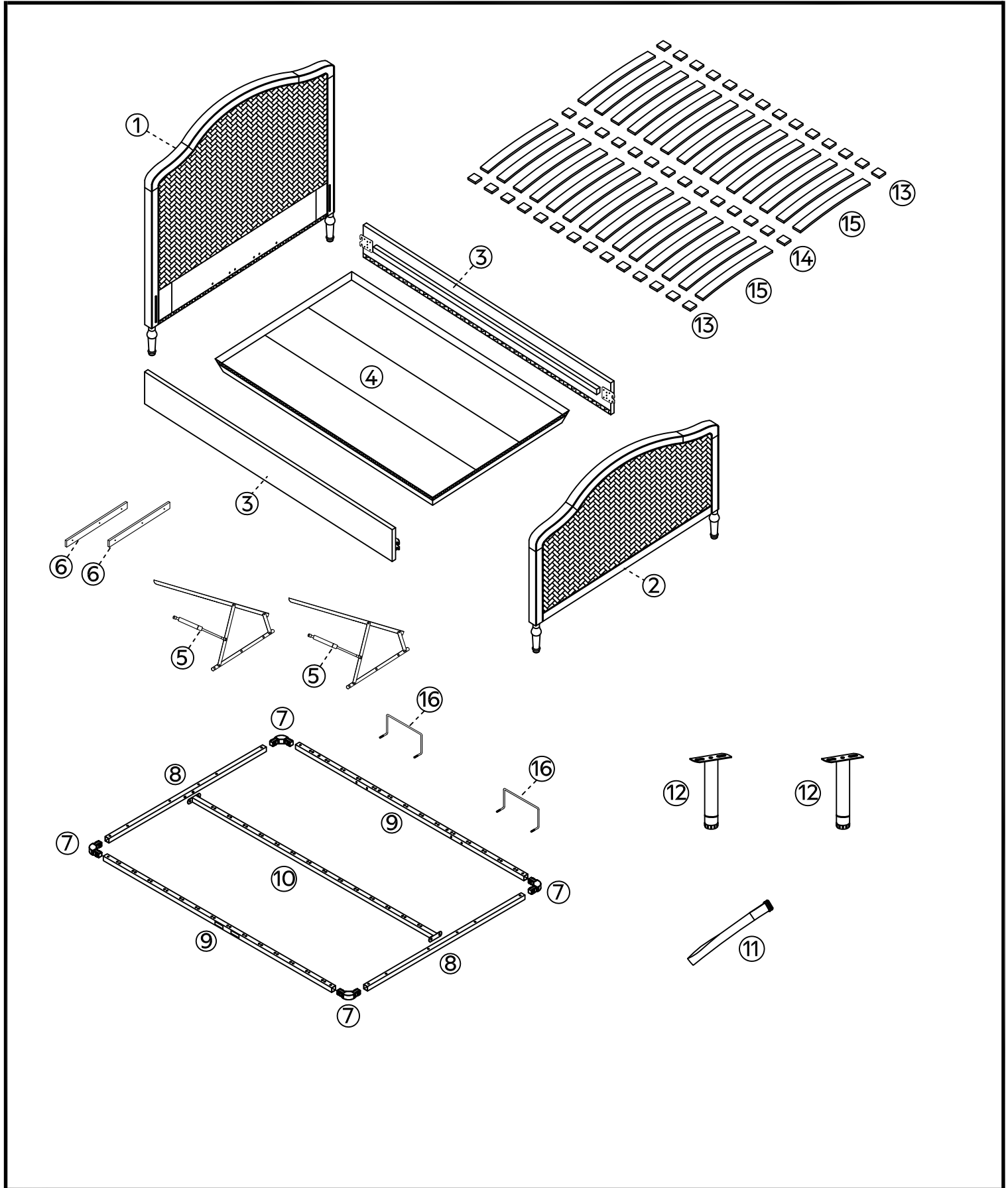
If you have had the product for more than 28 days we will send an independent home service technician to review and repair the product where possible and recommend further action.

#### You can write to us at

Home Customer Services  
Next Retail Ltd,  
Desford Road,  
Leicester,  
LE19 4AT,

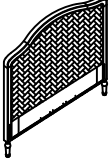

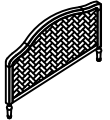


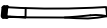
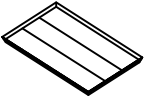
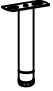
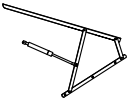

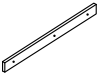




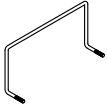
To view our full furniture range please visit [www.next.co.uk](http://www.next.co.uk)

### Assembly instructions



### Assembly instructions

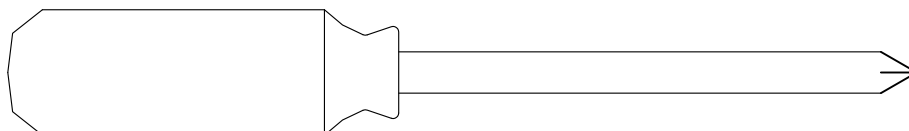
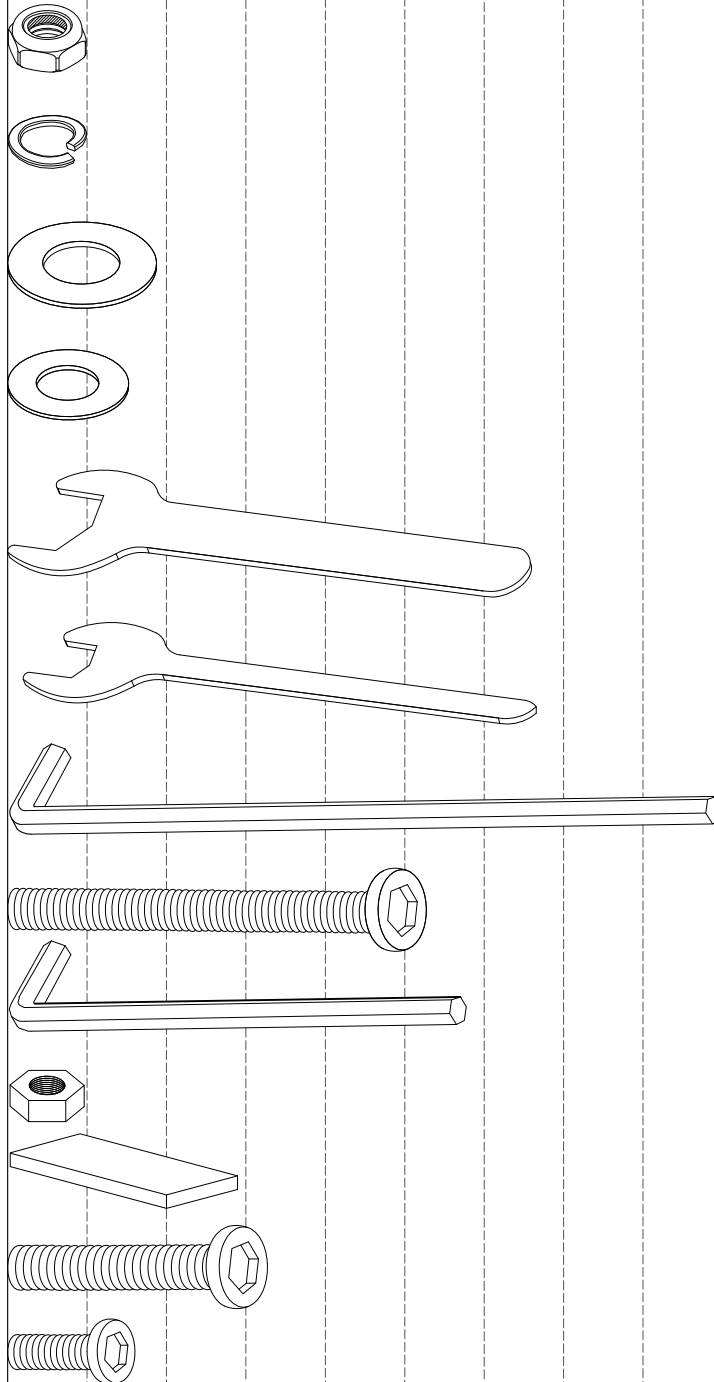
**Components supplied. Please use this guide if you require replacement parts.**

Ref	Dimensions	Visual	Qty	Ctn	Ref	Dimensions	Visual	Qty	Ctn
1	Headboard Double 144x120.5cm King 159x120.5cm		1	1	9	Tube slat frame Double 175.5x3cm King 185.5x3cm		2	4
2	Footboard Double 144x71.5cm King 159x71.5cm		1	2	10	Tube slat frame Double 179.4x9.5x3cm King 189.4x9.5x3cm		1	4
3	Side Rails Double 192x19.5cm King 202x19.5cm		2	3	11	Belt (34.5x3.7cm)		1	1
4	Baseboards Double 137x192cm King 152x202cm		1	3	12	Metal Support legs (Ø3.8x27cm)		2	1
5	Support Frame (15.2x120cm)		2	2	13	End Plastic Cap (Small)		28	1
6	Support plate (57.5x3x2.1cm)		2	2	14	Centre Plastic Cap (Big)		14	1
7	Connect for slat frame (9.6x9.6x2.95cm)		4	1	15	Slats Double 66.5x6x1cm King 74x6x1cm		28	4
8	Tube slat frame Double 124x3cm King 139x3cm		2	4	16	Mattress holder (20.6x10x5.1cm)		2	1

## Assembly instructions (For Double Bed)

10 20 30 40 50 60 70 80 90 100 110 120

Ref	Dimensions	Qty
WLM30	M8	8
WDP23	M8	6
WDP22	M8x19mm	30
WDP10	M6x19mm	4
WBS13	Ø13	2
WBS16	Ø10	1
WBS12	M5x90mm	2
WLG119	M8x45mm	14
WBS15	M4x57mm	2
WLM31	M6	4
WBZB12	40x20x3mm	4
WLG108	M8x25mm	8
WLG79	M6x10mm	8

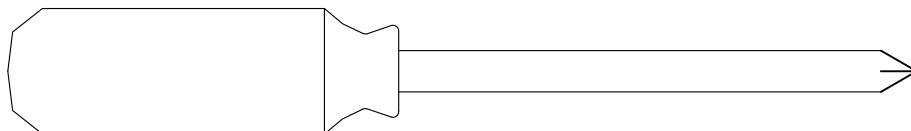
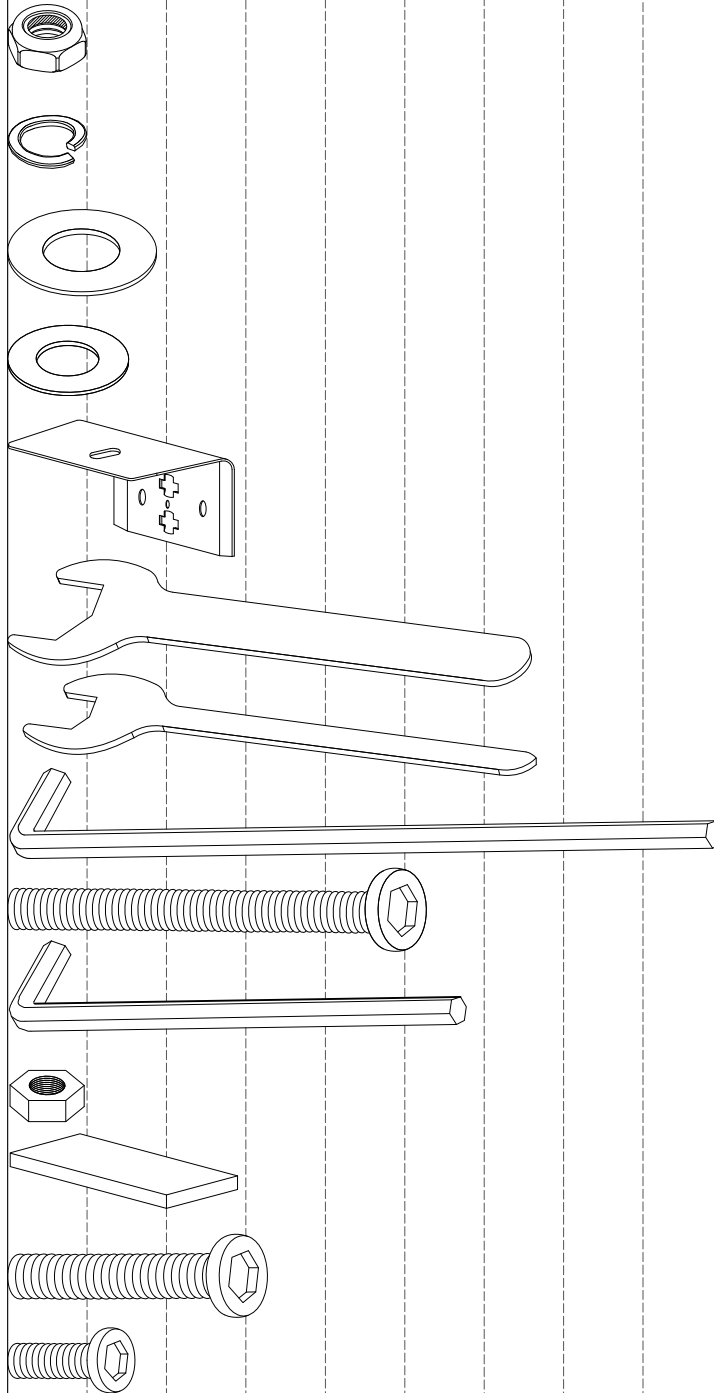


PH2x2 NOT SUPPLIED

## Assembly instructions (For King Bed)

10 20 30 40 50 60 70 80 90 100 110 120

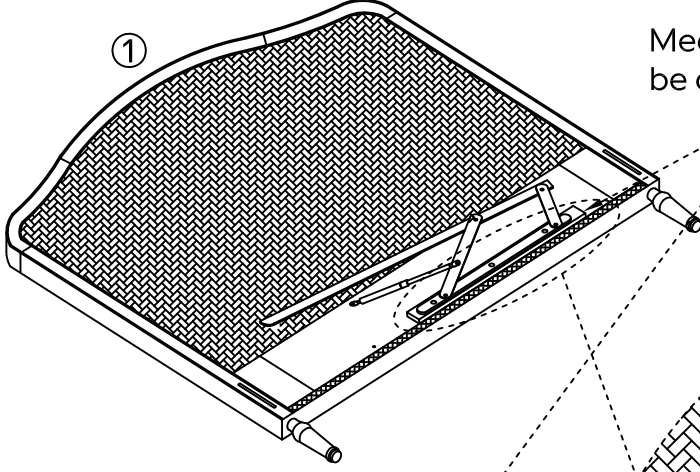
Ref	Dimensions	Qty
WLM30	M8	8
WDP23	M8	6
WDP22	M8x19mm	30
WDP10	M6x19mm	4
WJM74	70x43x46mm	2
WBS13	Ø13	2
WBS16	Ø10	1
WBS12	M5x90mm	2
WLG119	M8x45mm	14
WBS15	M4x57mm	2
WLM31	M6	4
WBZB12	40x20x3mm	6
WLG108	M8x25mm	12
WLG79	M6x10mm	8



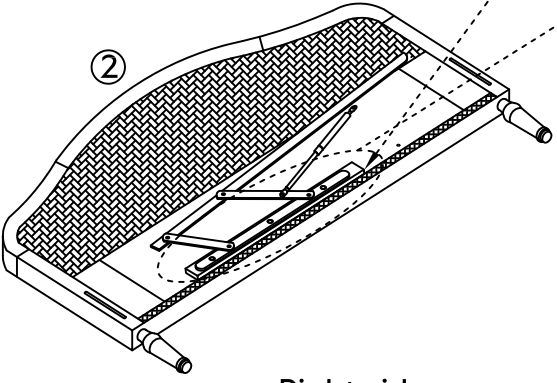
PH2x2 NOT SUPPLIED

Assembly instructions

1

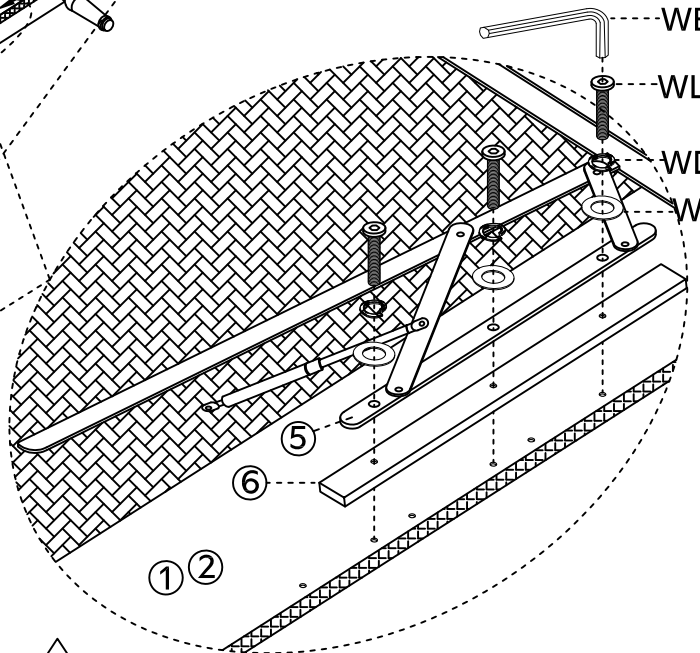


①



②

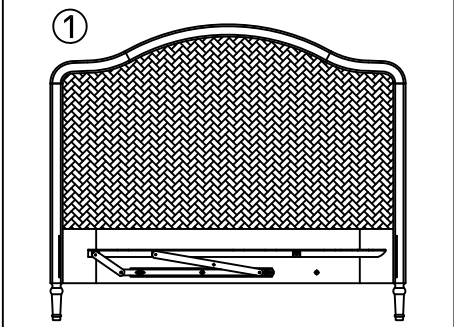
Mechanism support frame direction should be at same on both headboard and footboard



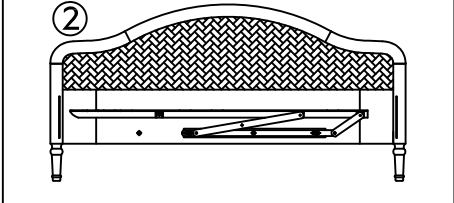
WBS12  
WLG119  
WDP23  
WDP22

⑤  
⑥  
① ②

Right side open

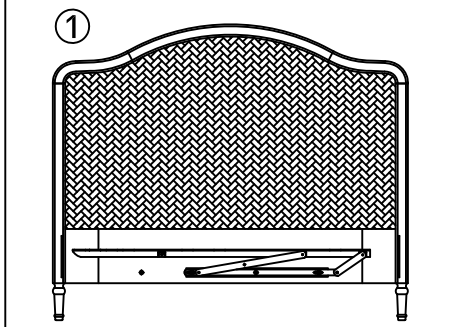


①

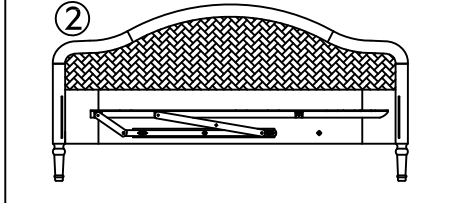


②

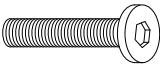



Left side open



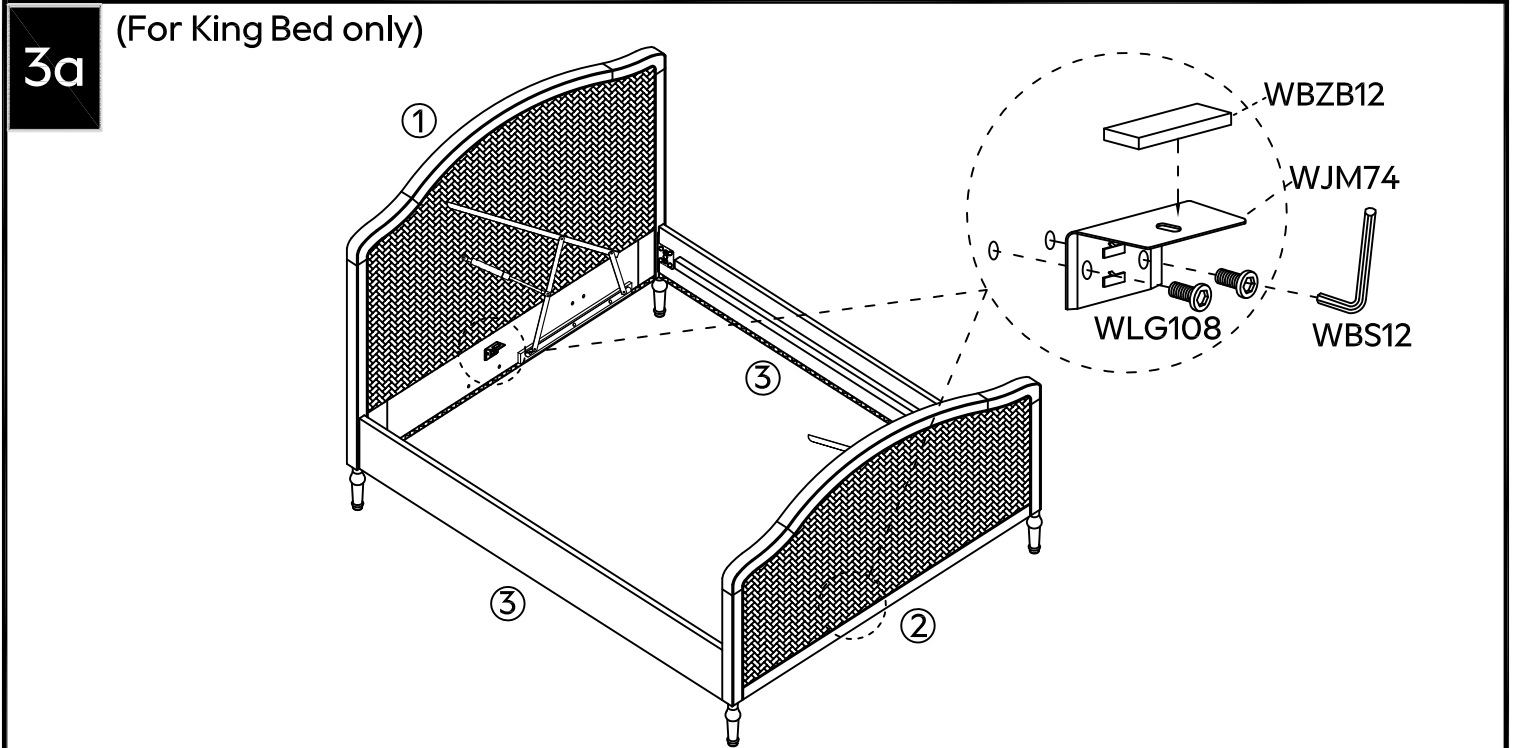
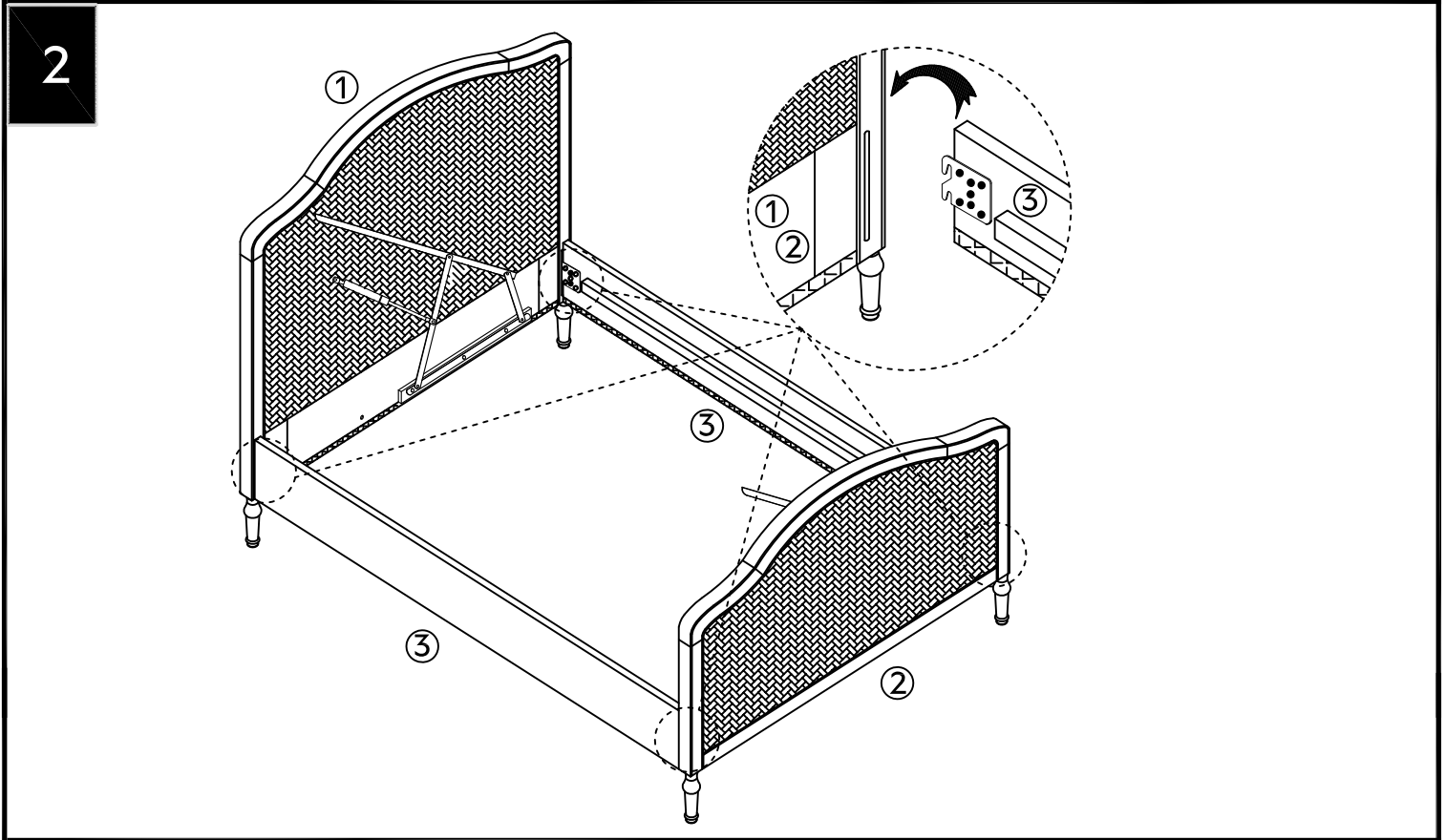
①

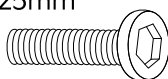
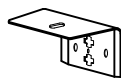
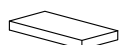



②

<p><b>WLG119x6</b> M8x45mm</p> 	<p><b>WDP23x6</b> M8</p> 	<p><b>WBS12x2</b> M5x90mm</p> 	<p><b>WDP22x6</b> M8x19mm</p> 
--	--	---	---

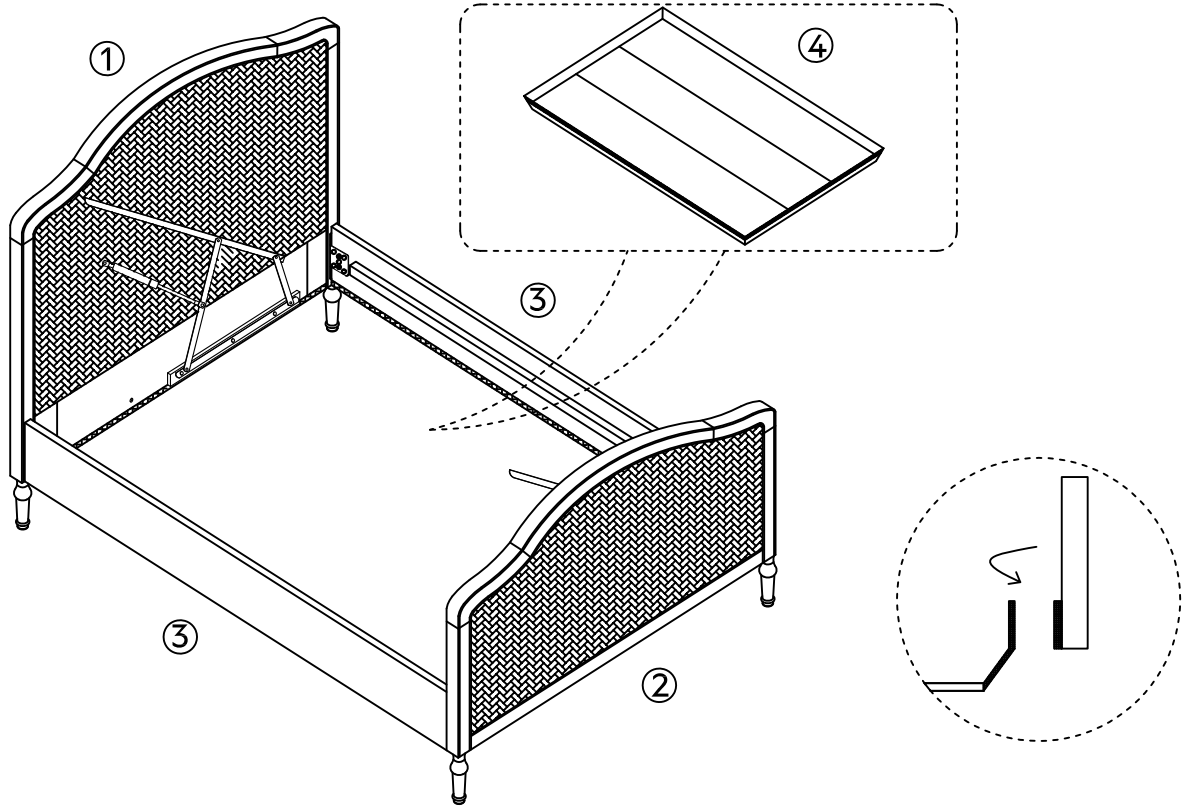
Assembly instructions



<p><b>WLG108x4</b> M8x25mm</p> 	<p><b>WJM74x2</b> 70x43x46mm</p> 	<p><b>WBZB12x2</b> 40x20x3mm</p> 	<p><b>WBS12x2</b> M5x90mm</p> 
--	--	--	--

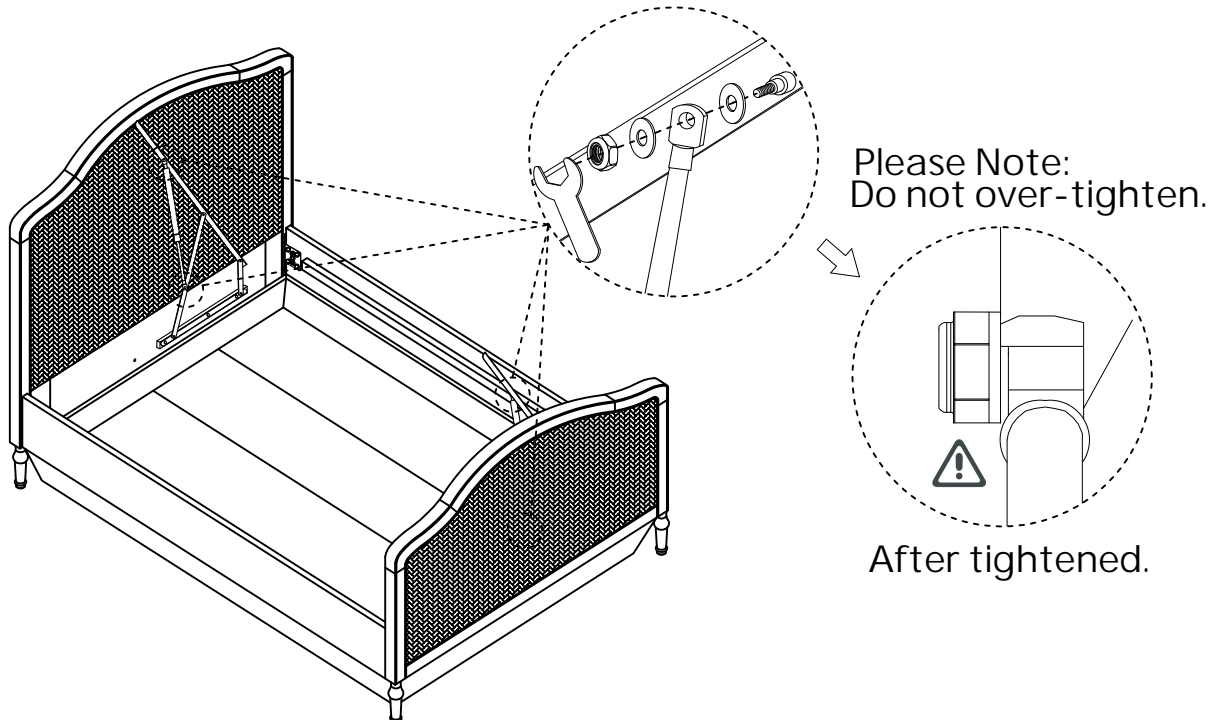
### Assembly instructions

3b



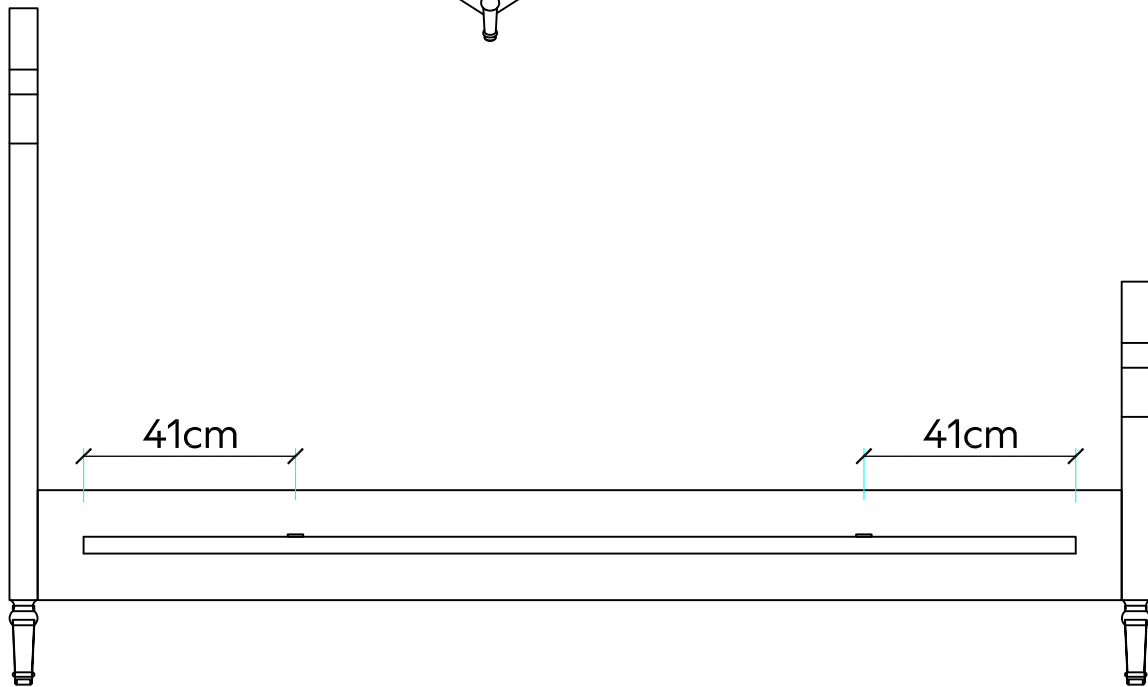
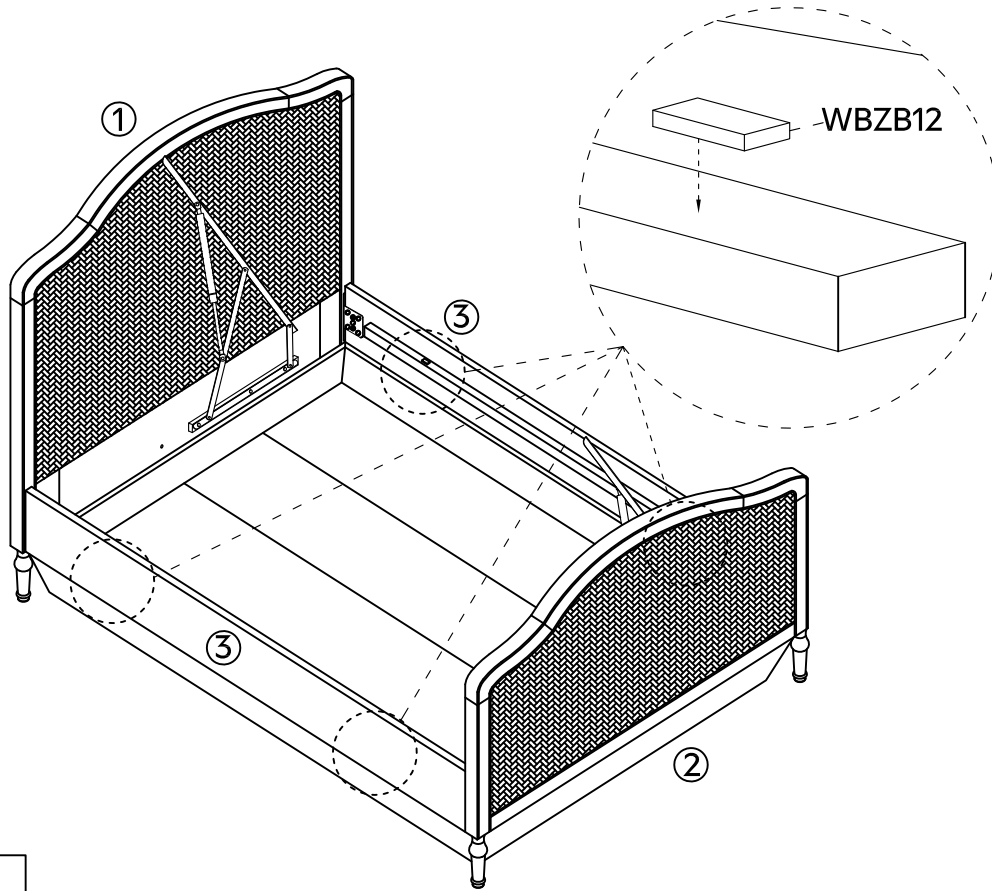
4

**NOTE: THE NUTS AND WASHERS ARE ALREADY IN POSITION ON THE BRACKET**  
Un-tie mechanism, take out the transit protection block, connect the piston arm to the raising mechanism by removing and retightening nuts and washers until the nylon locknut is engaged on the threaded bar. Repeat on both sides!



### Assembly instructions

5



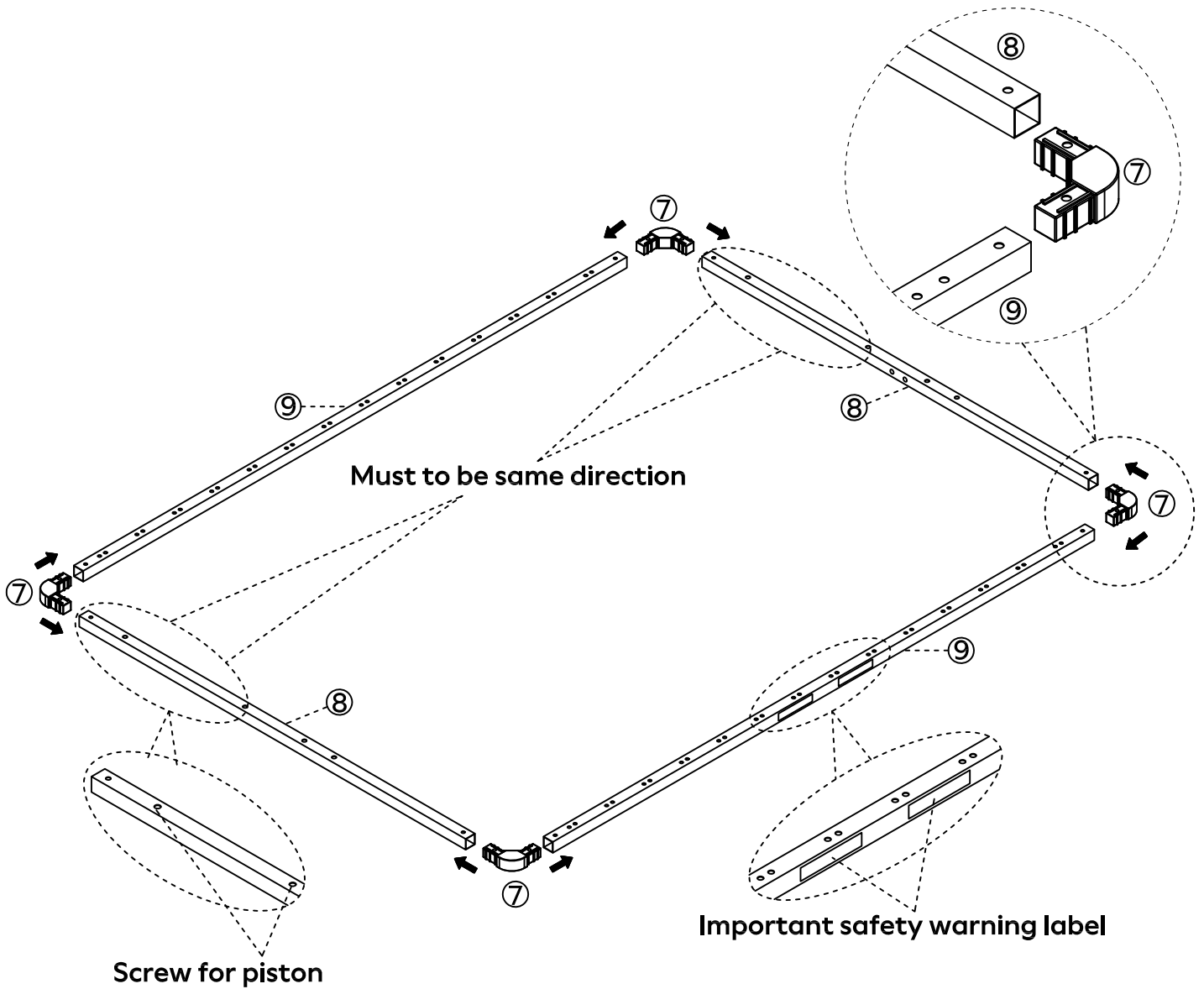
**WBZB12x4**  
40x20x3mm



Please stick felt pads on the cleat of side rails as above photo.

Assembly instructions

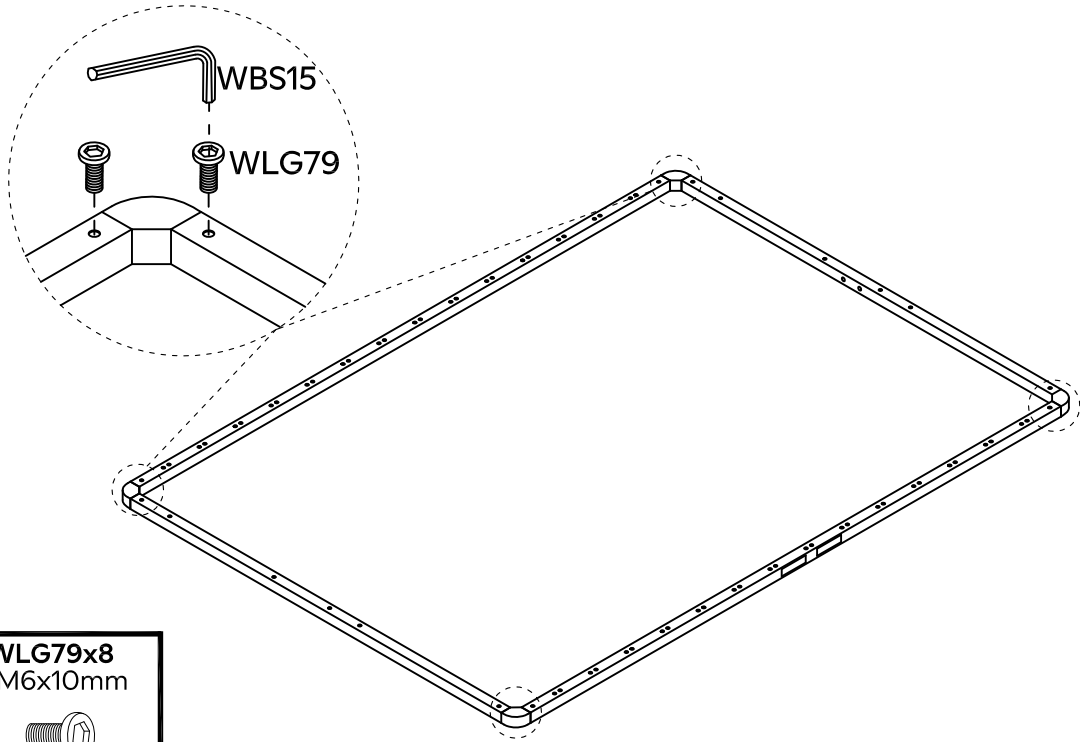
6



**Note:** The tube ⑨ with safety warning label should be assembled open side of frame.

### Assembly instructions

7



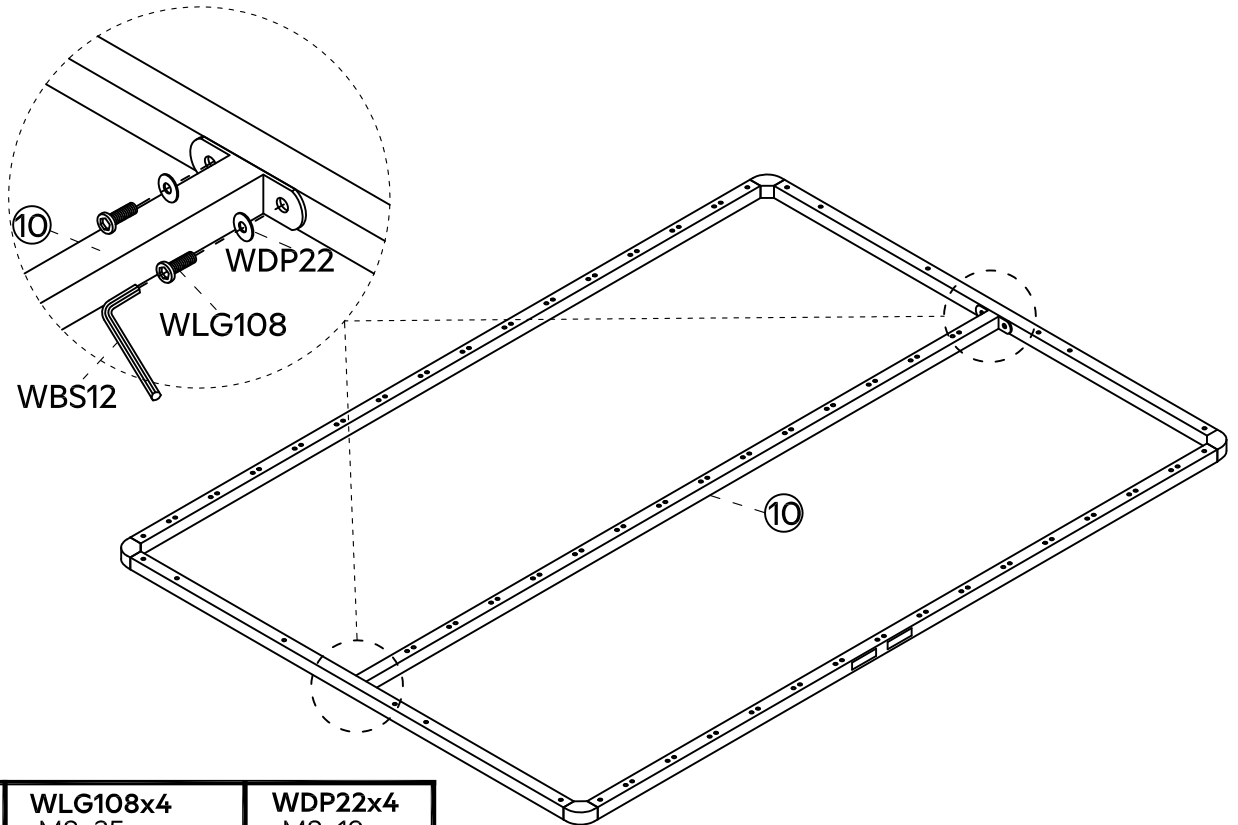
**WBS15x2**  
M4x57mm



**WLG79x8**  
M6x10mm



8



**WBS12x2**  
M5x90mm



**WLG108x4**  
M8x25mm

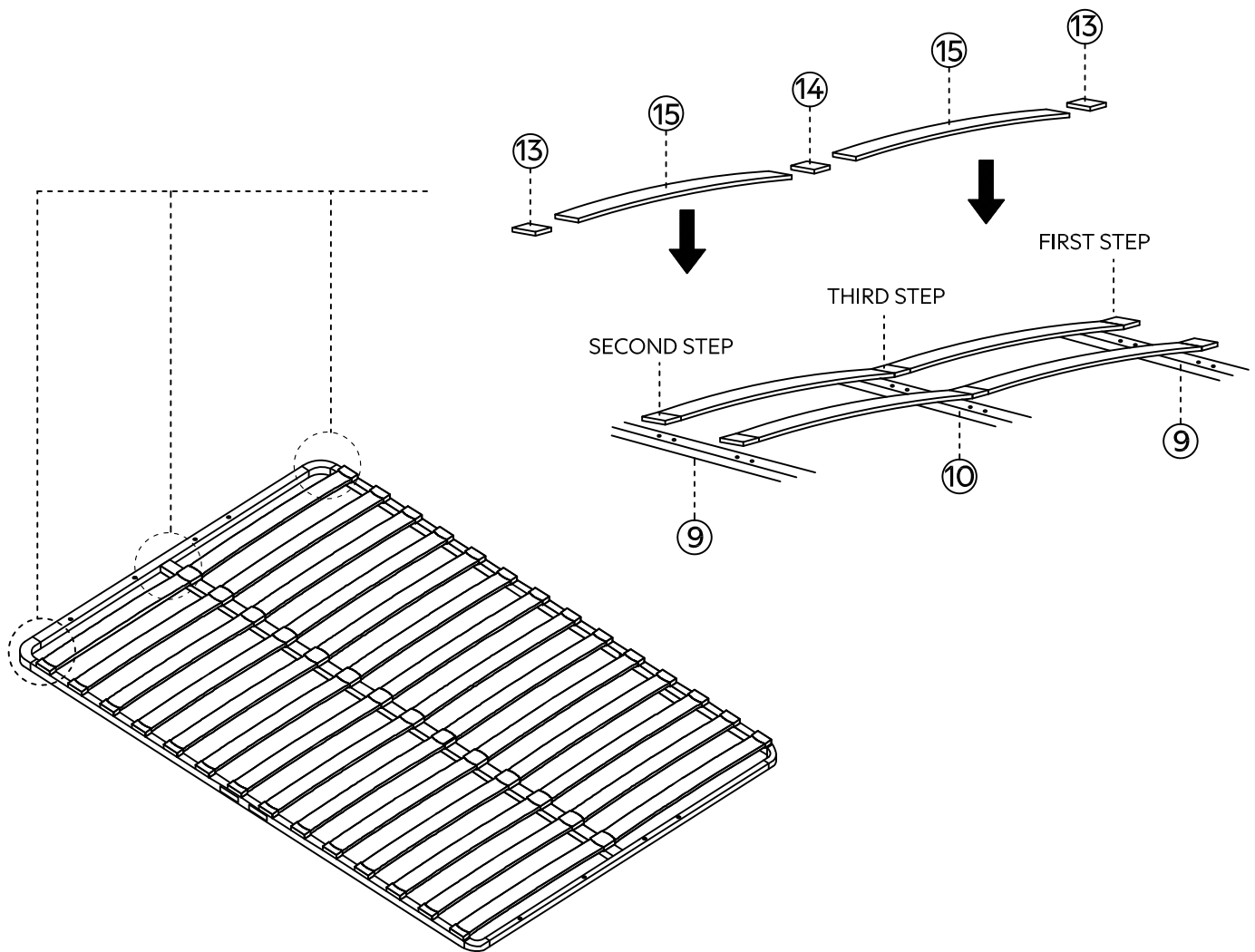


**WDP22x4**  
M8x19mm



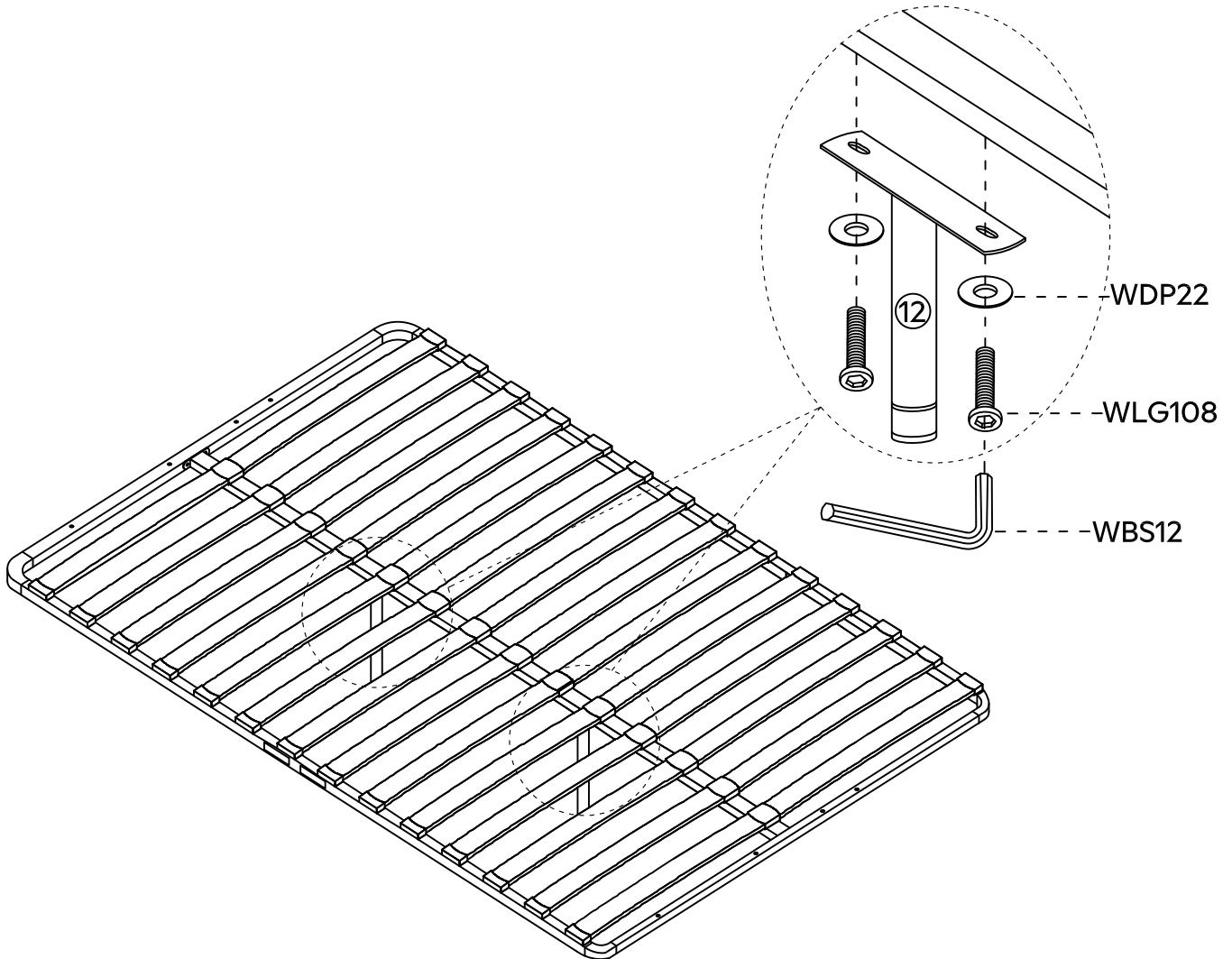
## Assembly instructions

9



## Assembly instructions

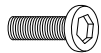
10



**WBS12x2**  
M5x90mm



**WLG108x4**  
M8x25mm

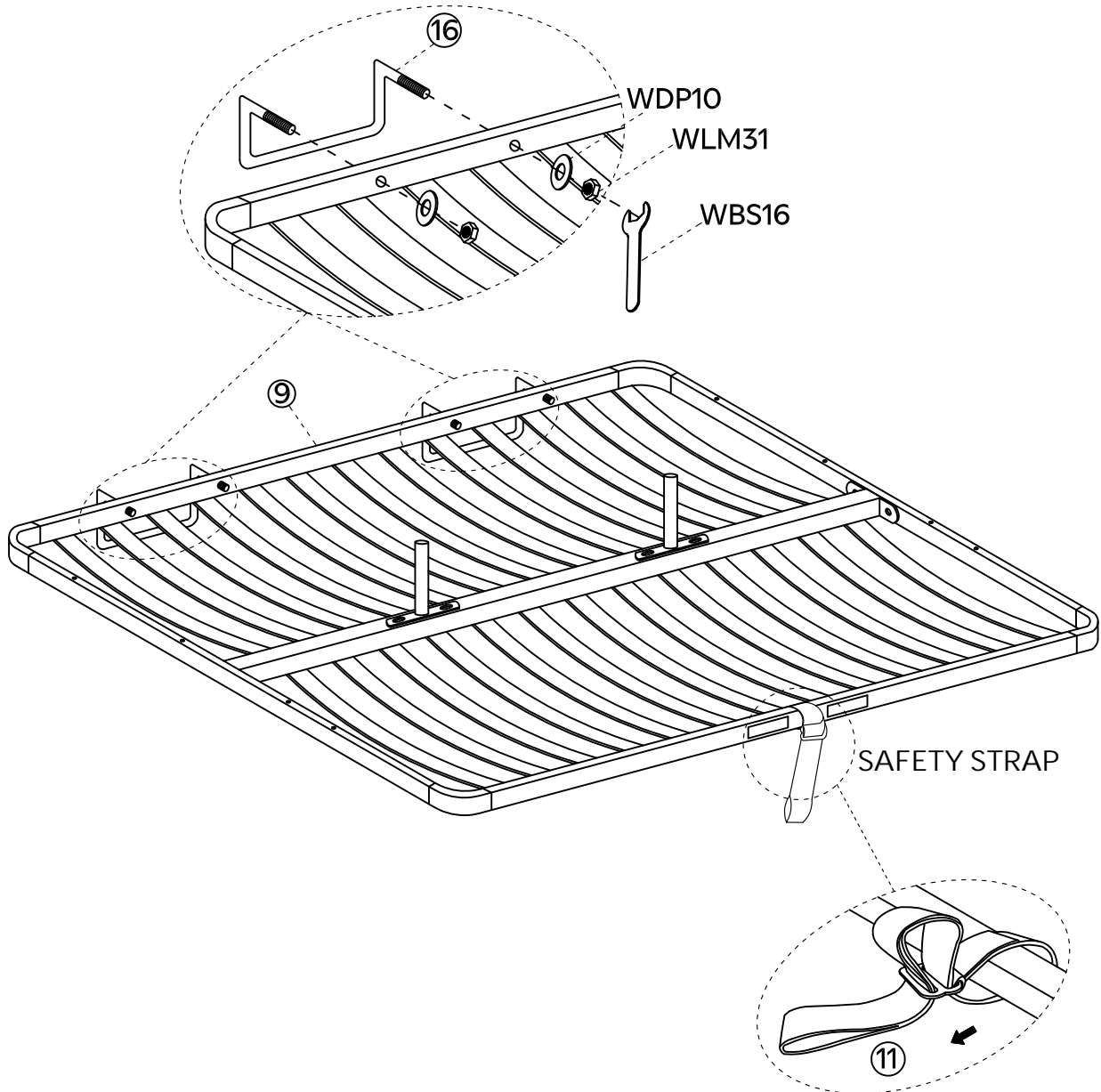


**WDP22x4**  
M8x19mm



## Assembly instructions

11

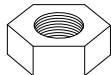


**WARNING**  
SAFETY STRAP/ HANDLE  
MUST BE POSITIONED IN THE CENTRE OF THE BED FRAME  
ALWAYS USE THE SAFETY STRAP/HANDLE TO OPEN.

**WBS16x1**  
Ø10



**WLM31x4**  
M6



**WDP10x4**  
M6x19mm

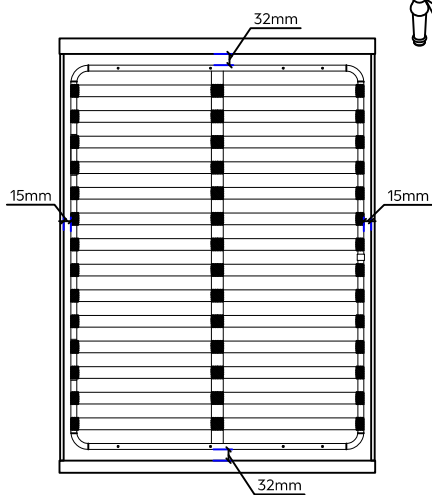
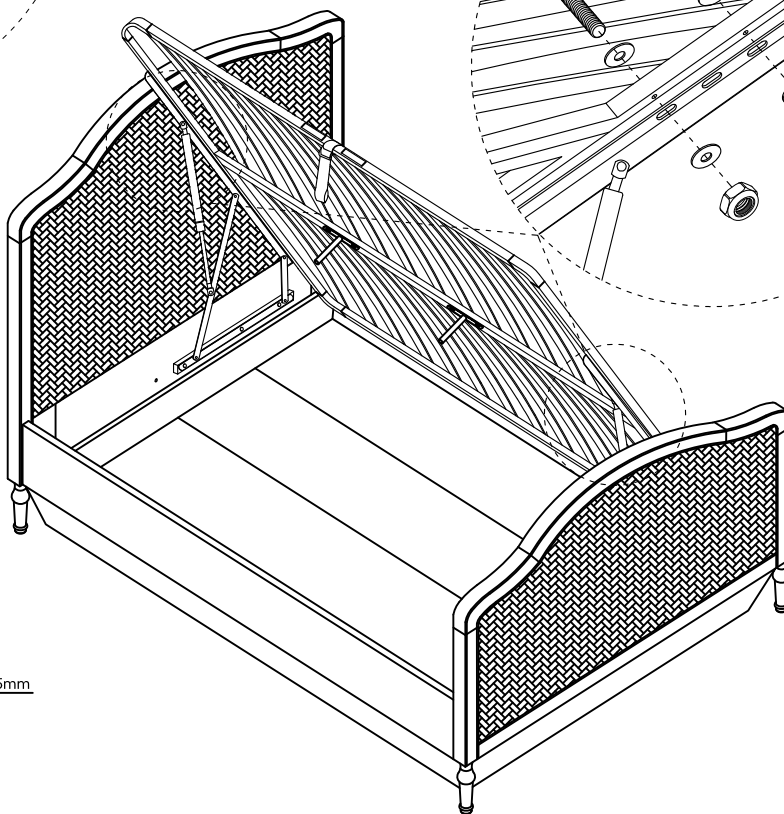
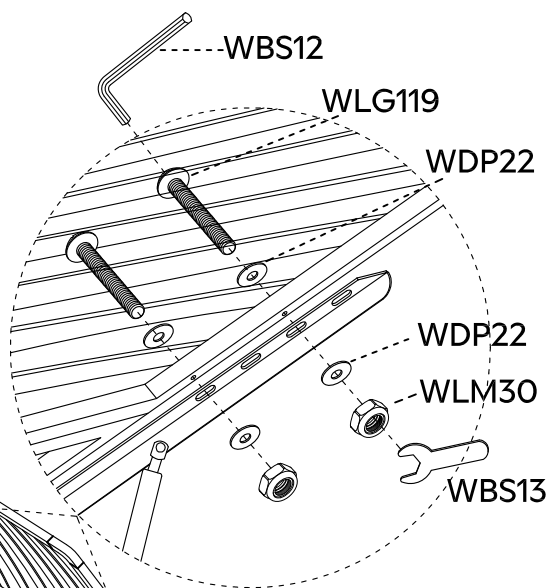
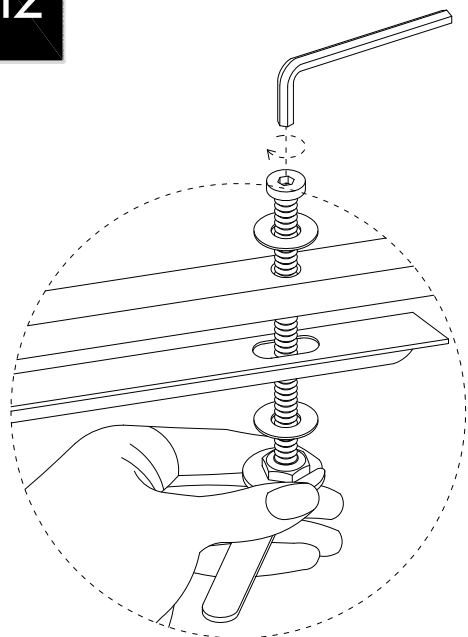


Assembly instructions

12

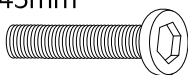
Fix the nut (WLM30) at one end of bolt (WLG119) by using spanner (WBS13), then tighten the bolt (WLG119) by using allen key (WBS12).

Fully tighten all the bolts at this stage.



We suggest to assemble the slat frame in the middle position of the bed and try to keep 15mm distance on both side rails and keep 32 mm distance on headboard and footboard, need to be equal distance.

**WLG119x8**  
M8x45mm



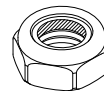
**WBS12x2**  
M5x90mm



**WBS13x2**  
Ø13



**WLM30x8**  
M8



**WDP22x16**  
M8x19mm



Overall Dimensions (WxLxH cm)  
 Double : 144 x 201.5 x 120.5/71.5  
 King : 159 x 211.5 x 120.5/71.5

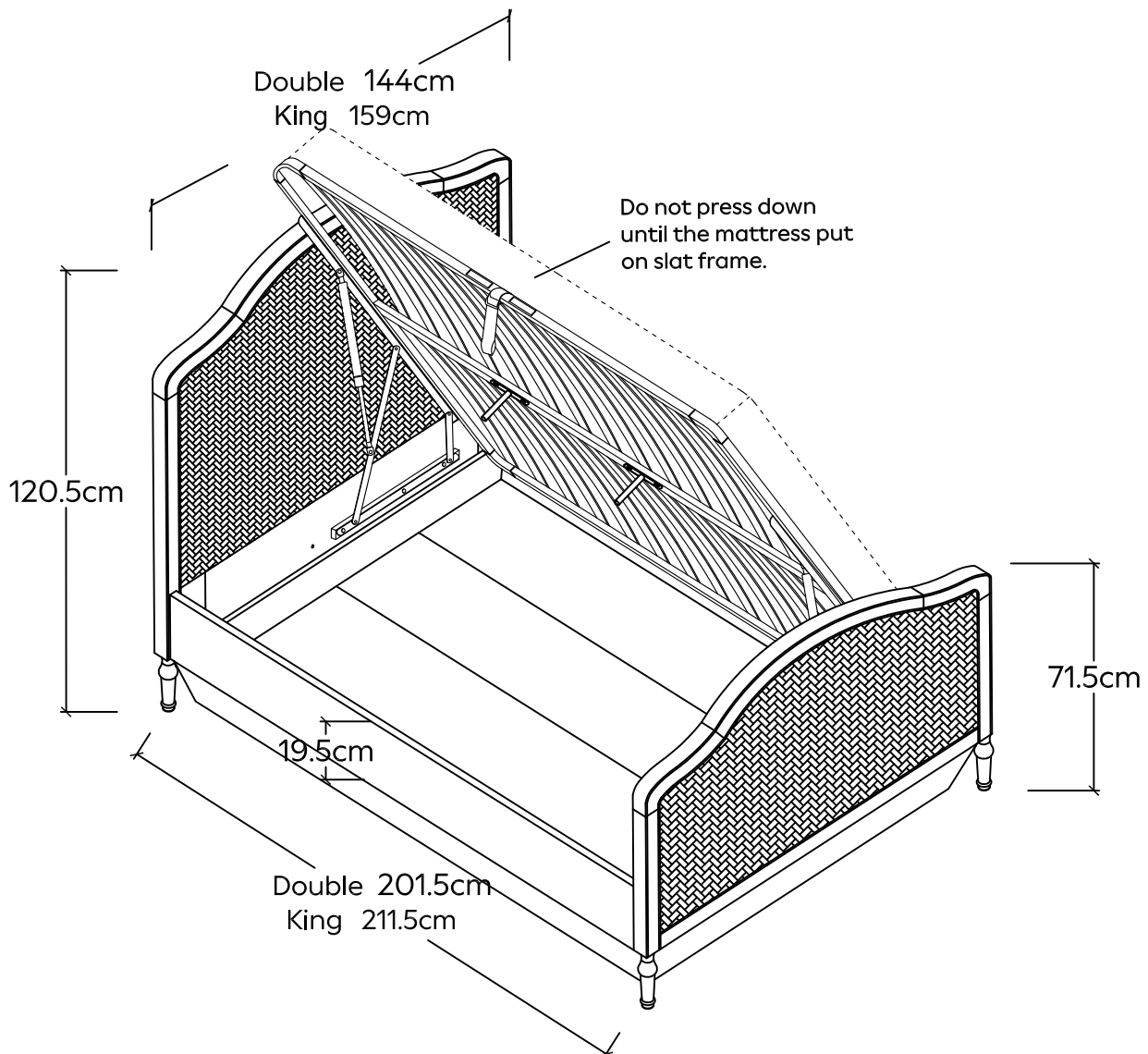
Internal Dimensions (WxL cm)  
 137 x 192  
 152 x 202

Delivery Box Sizes (HxWxD cm)

	Double	King
Box1	7x150x124	7x165x124
Box2	7x150x75	7x165x75
Box3	8x206x45	8x216x45
Box4	11x187x19	11x197x20

Storage (Litres)

Double	King
552	645



## IMPORTANT OTTOMAN SAFETY WARNINGS

- IMPORTANT – READ CAREFULLY – RETAIN FOR FUTURE REFERENCE
- You must ensure that the mattress is on the bed frame before operating the lift mechanism – Failure to do so could result in injury.
- Keep hands clear of the mechanism when opening or closing the ottoman.
- Beware of entrapment – Never reach in through the mechanism to access the storage area.
- Always ensure that the ottoman is FULLY opened before accessing the storage area.
- Do not reach into the storage area through the hinge mechanism.
- Do not exceed the maximum weight as specified in the table below:



Bed Size	Min Weight (kg)	Max Weight (kg)
Double	20	60
King	25	70

- Use caution when operating, always use the handle when lifting
- Note: This bed uses a pressurised mechanism.
- To be operated by adults only
- Please ensure that children and pets are kept away from the bed when operating the lift mechanism.
- Keep children and pets away from the storage area.
- No children or animals are left unattended when the frame is in the 'up' position.
- Do not overload the internal storage base.
- Do not stand inside the internal storage area of the bed
- Before removing the mattress secure the frame to ensure it does not open unexpectedly.
- Do not attempt to lie on the mattress when the ottoman is in the raised position.
- When lifting the ottoman remove all bedding except the fitted sheet.
- Depending on the weight of the mattress, the rising speed will vary so be careful until you get used to the speed.
- NOTE: When fully assembled and the mattress is in position, please raise and lower the ottoman 4 / 5 times to ensure the gas pistons are fully lubricated.