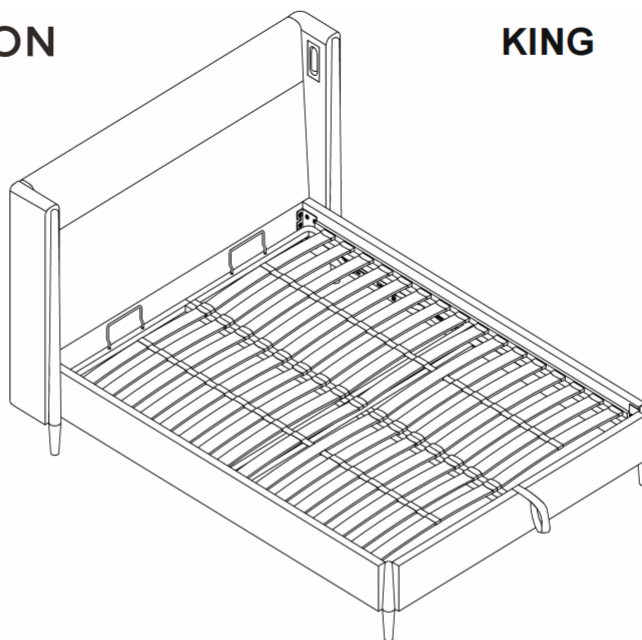


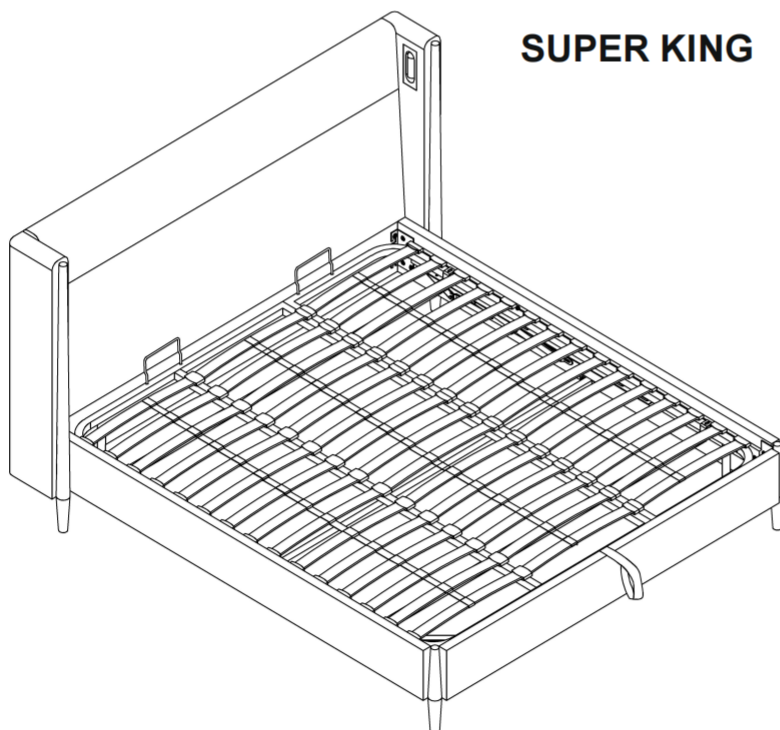
N.

PREMIUM COLLECTION

KING



SUPER KING



FARNDON

FLIP STORAGE BED-W63011

H118xW176xD220CM

H118xW202xD220CM

ASSEMBLY INSTRUCTIONS

FARNDON FLIP STORAGE BED-W63011

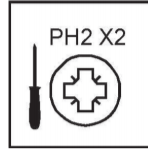
Assembly instructions

BEFORE YOU START

Number of people required to assemble

Two people are needed to assemble this item

Time to assemble :60 minutes



BEDS

Warnings

Retain these instructions for future reference.

Keep fittings out of children's reach. Keep children away from construction areas.

This product should only be used on firm level ground. Periodically check all fittings and re-tighten as necessary. Do not jump or stand on the bed. Avoid exposing the furniture to excessive heat or direct sunlight as this can cause damage to the materials and deterioration of the colour.

Do's

Do spend a short time reading through this leaflet before you start. When you are ready to start, make sure that you have the right tools and plenty of space. Due to the size of the product we recommend that it is assembled in the room intended for use.

Unwrap all packaging materials and place the components on a clean surface to protect it from damage. We recommend that the packaging is used to protect light coloured fabrics and surfaces during assembly. Before beginning assembly carefully check that you have all the parts and fixings.

Ensure the product is fully assembled as illustrated and all fixings are fully tightened before use. Check fixings regularly to ensure they remain tight.

When moving your assembled bed, remove the mattress and bedding. Adjust the support leg to its shortest position. Then the bed must be lifted into position. Never drag the bed, as this can damage the legs. Once the bed is in the new position, readjust the support leg to be 5-10mm from the floor surface without the mattress. When in use the support legs will create the required support for the product.

Never allow any kind of liquid to remain on your furniture.

Absorption can cause materials to warp or finishes to de-laminate.

Missing parts

If you are missing any fixtures and fittings for your product. Please contact our customer service team on 0333 777 8999 and they will be happy to arrange for a replacement to be sent to you free of charge

CAUTION:

Flip Beds/ Ottoman Storage beds use strong gas pistons to aid you in lifting the mattress to access storage. Do not attempt to operate the mechanism without a mattress in place. Operating incorrectly can damage the frame and cause injury. Strap must be positioned centrally along the base of the bed.

Strap or Handle provided must be used to open the storage compartment. Keep hands and objects away from moving components. Minimum and maximum weight restrictions are highlighted below.

Double: MIN 20kg / MAX 60kg

King: MIN 25kg / MAX 70kg

Superking: MIN 30kg / MAX 85kg

Ensure your mattress meets this specification. Do not overload the bed frame as this will damage the mechanism

To clean your item, please use a vacuum or lightly brush clean. Never allow any kind of liquid to remain on your furniture. Absorption can cause finishes to de-laminate

Periodically check the condition of your bed slats and plastic locating caps to ensure they are in good condition and have not become loose.

Home Service Technicians

If you have a fault with your product, please contact our customer service team on 0333 777 8999. If you have had the product for 28 days or less you may be offered a replacement, refund or for a fully trained home service

technician to visit your home to assess the fault and repair the product where possible. If you have had the product for more than 28 days we will send an independent home service technician to review and repair the product where possible and recommend further action

You can write to us at

Home Customer Services
Next Retail Ltd.
Desford Road,
Leicester;
LE19 4AT

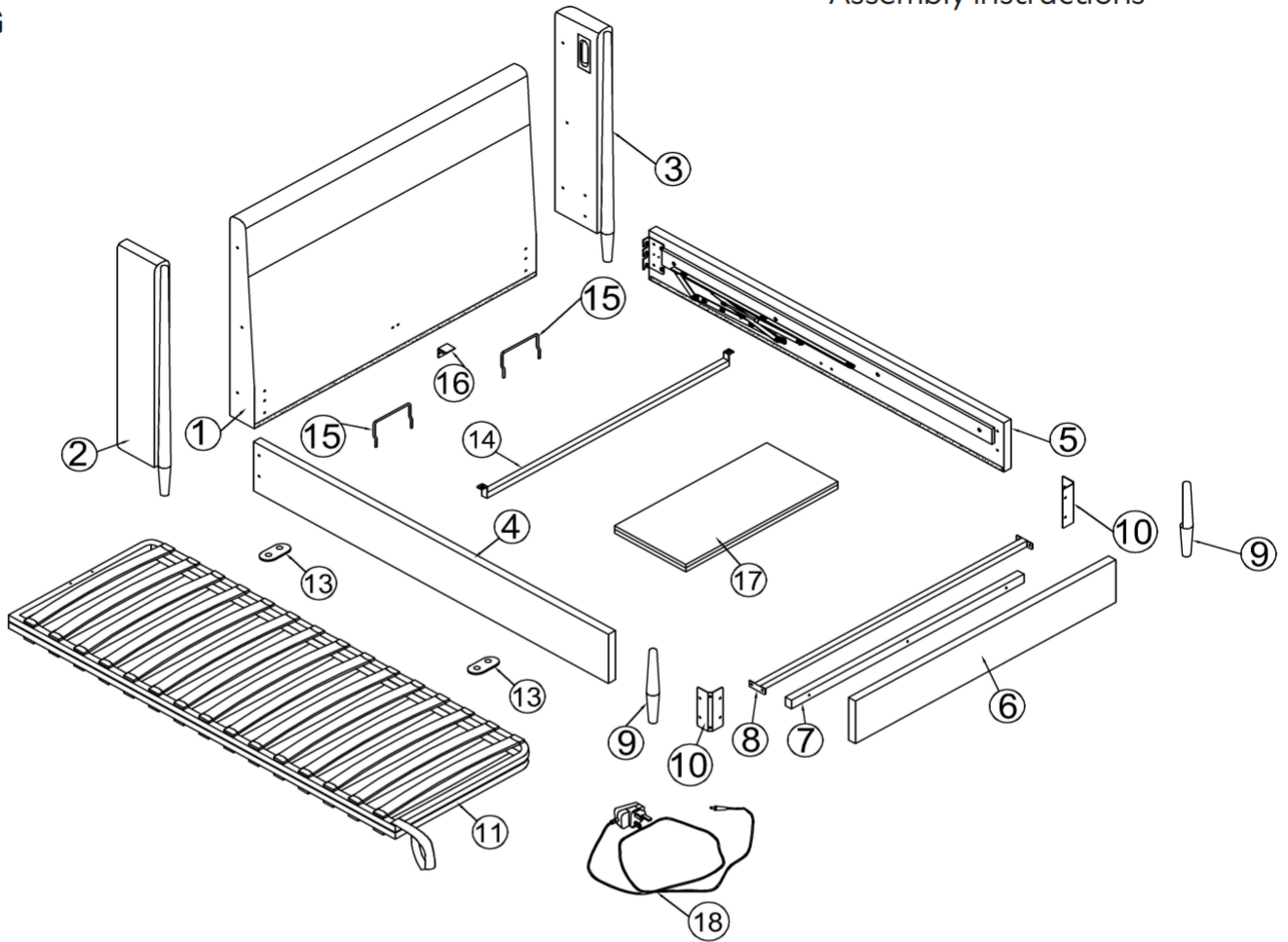
To view our full furniture range please visit
www.next.co.uk

Need Help?

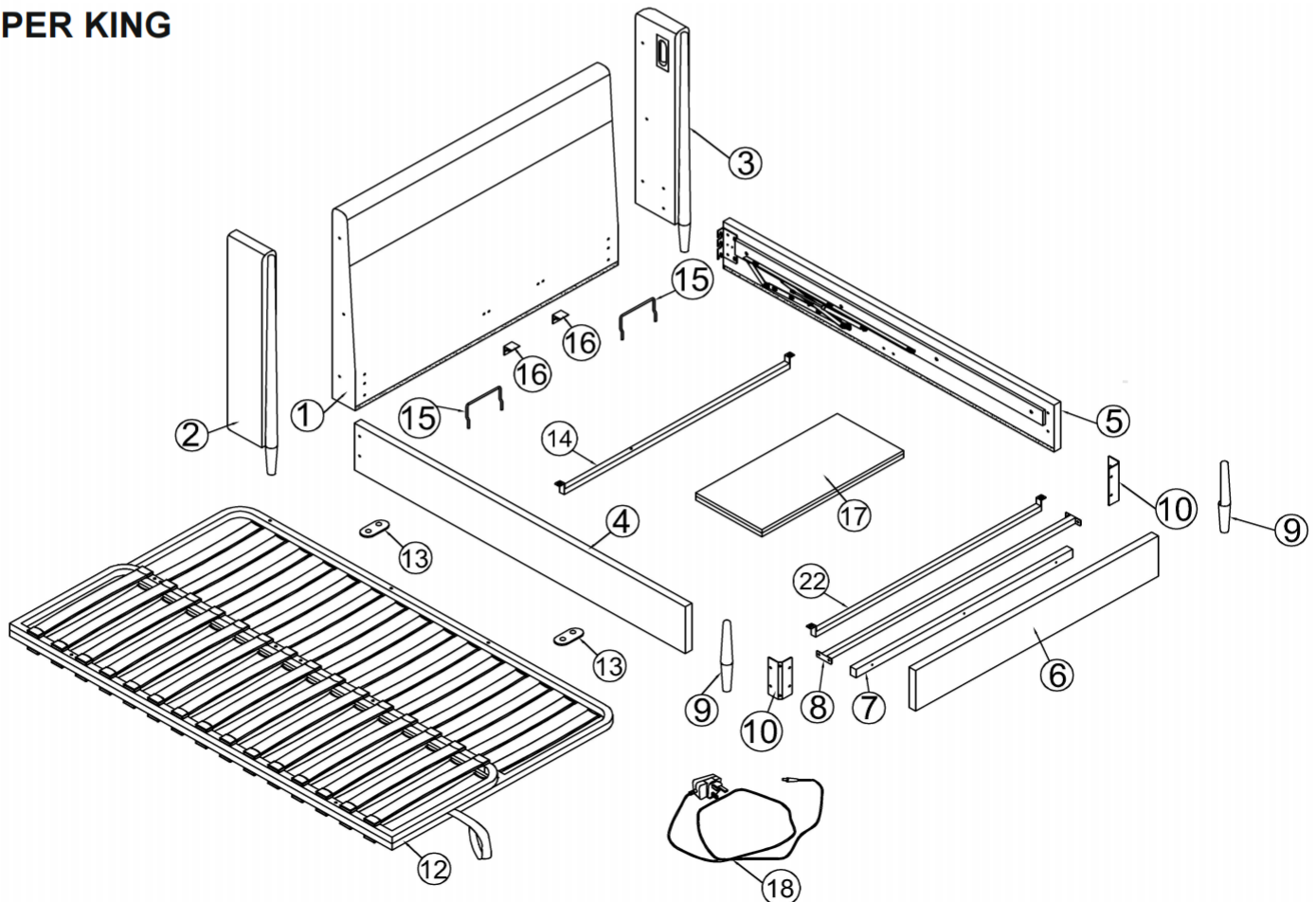
with: Assembly instructions
Missing or damaged parts

CALL: 0333 777 8999

KING



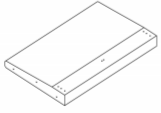
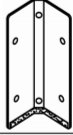
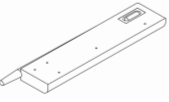














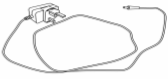
SUPER KING



FARNDON FLIP STORAGE BED-W63011

Assembly instructions

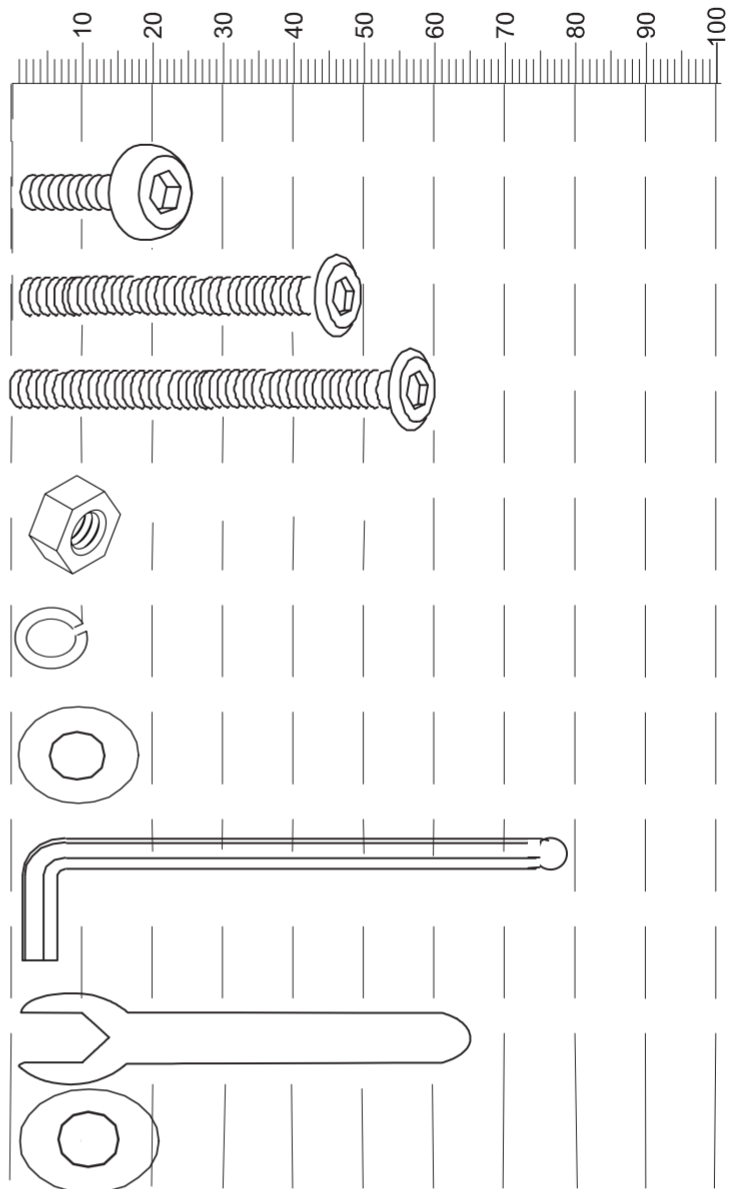
Components supplied. Please use this guide if you require replacement parts.

Ref	Dimensions	Visal	Qty	Ctn	Ref	Dimensions	Visal	Qty	Ctn
1	King:158x103.5cm Super King:188x103.5cm		1	1	10	20x7cm		2	1
2	King:120x27cm Super King:120x27cm		1	2	11	King:147x200cm		1	3
3	King:120x27cm Super King:120x27cm		1	2	12	Super King:177x200cm		1	3
4	King:201x22cm Super King:201x22cm		1	2	13	6x3cm		2	1
5	King:201x22cm Super King:201x22cm		1	2	14	King:148x30cm Super King:178x30cm		1 2	3
6	King:149.5x22cm Super King:179.5x22cm		1	1	15	202x10cm		2	1
7	King:129x4.5cm Super King:159x4.5cm		1	3	16	King:5x5cm Super King:5x5cm		1 2	1
8	King:152x3cm Super King:182x3cm		1	3	17	King:182.5x5cm Super King:182.5x5cm		1	1
9	37x5.2cm		2	1	18			1	1

FARNDON FLIP STORAGE BED-W63011

Assembly instructions

Fixtures and fittings supplied (actual size)				
Ref	Dimensions		Qty	Spare Qty
A	8x25mm	king	30	2
		Superking	34	
B	8x50mm		14	2
C	8x60mm		7	1
D	8 x 13mm		8	2
E	8 x 11mm	king	51	2
		Superking	55	
F	8 x 19mm	king	51	2
		Superking	55	
G	5 x 80mm		2	N/A
H	13 x 60mm		1	N/A
K	8 x 22mm		4	2

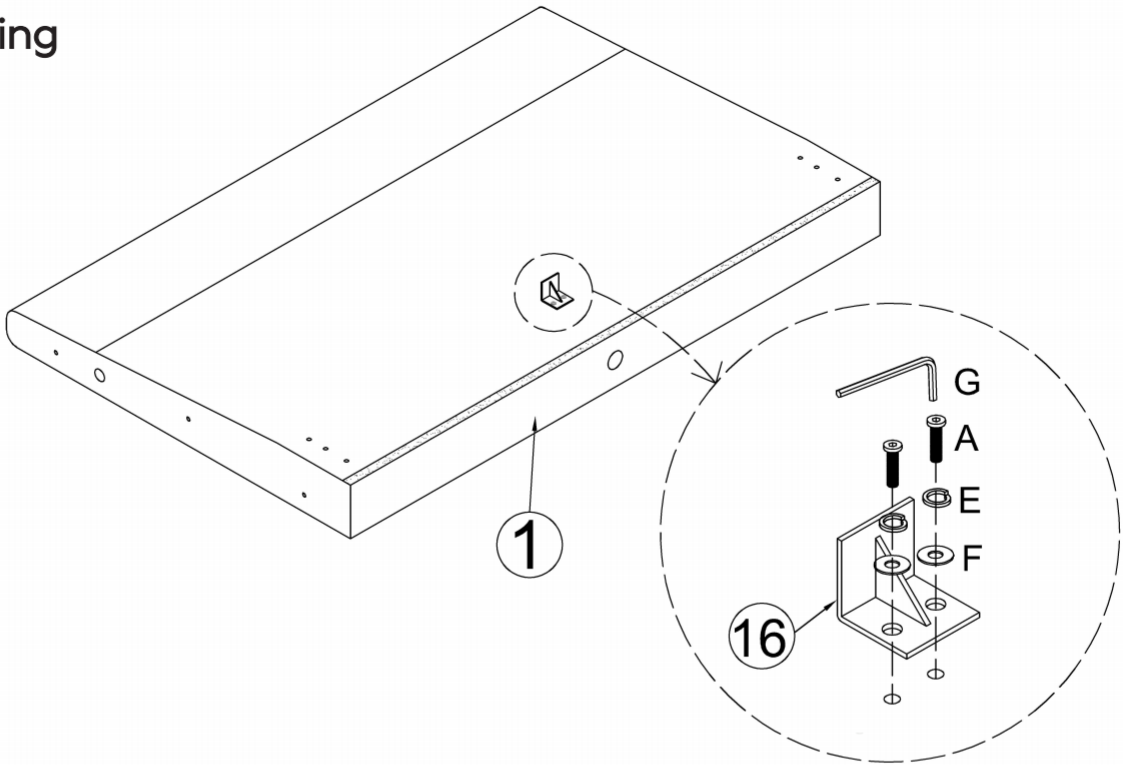






FARNDON FLIP STORAGE BED-W63011

Assembly instructions

1.

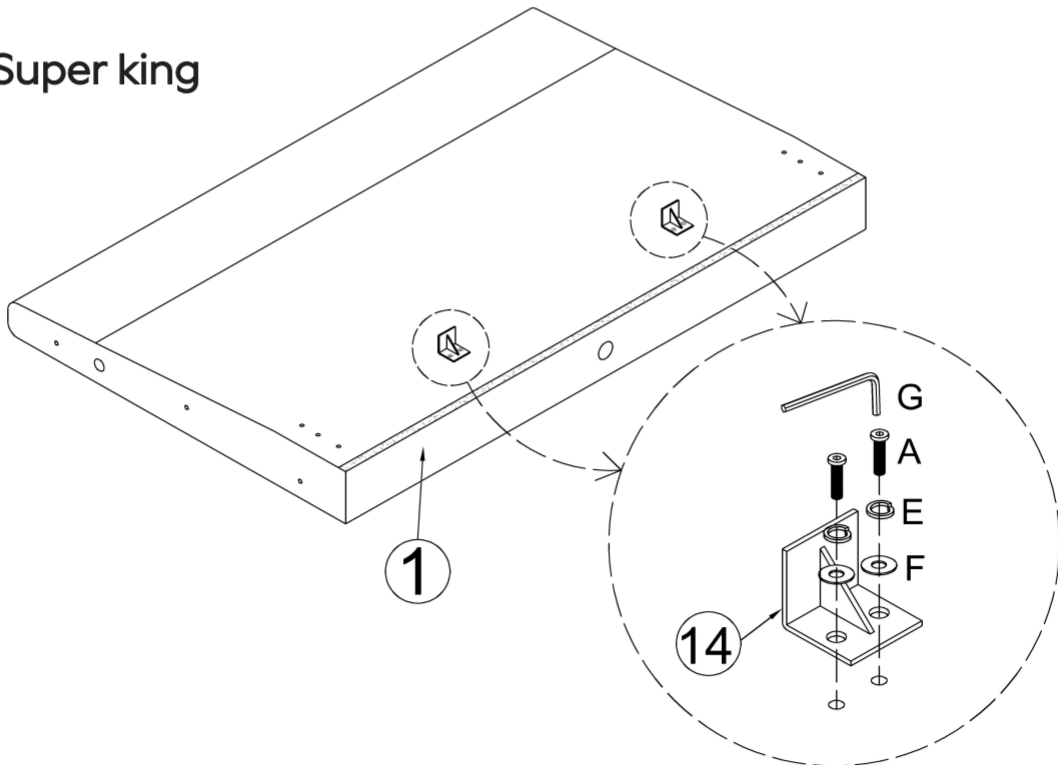
king

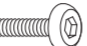





A	8x25mm	2		F	8x19mm	2	
E	8x11mm	2		G	N/A	1	

1.

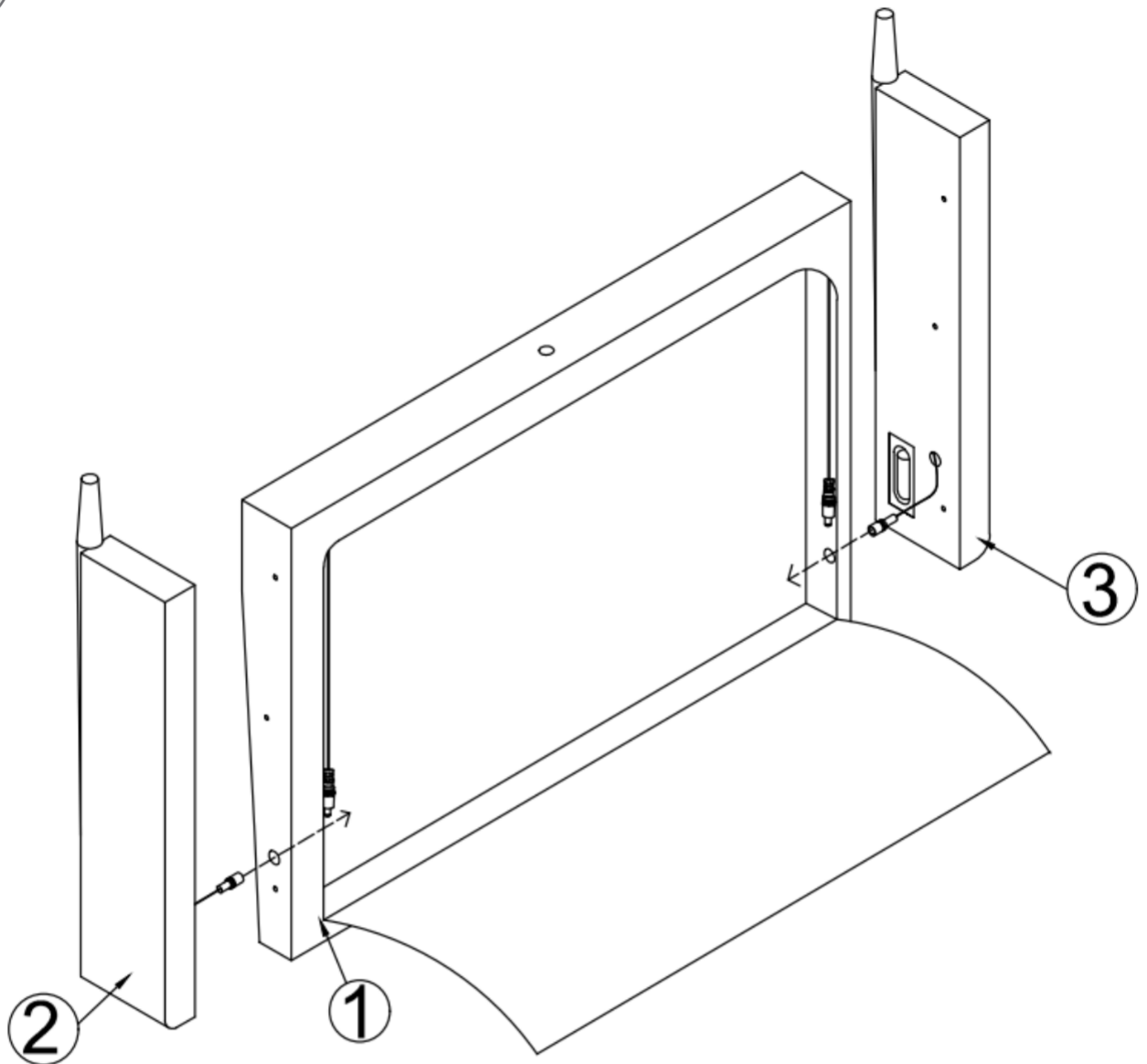
Super king



A	8x25mm	4		F	8x19mm	4	
E	8x11mm	4		G	N/A	1	

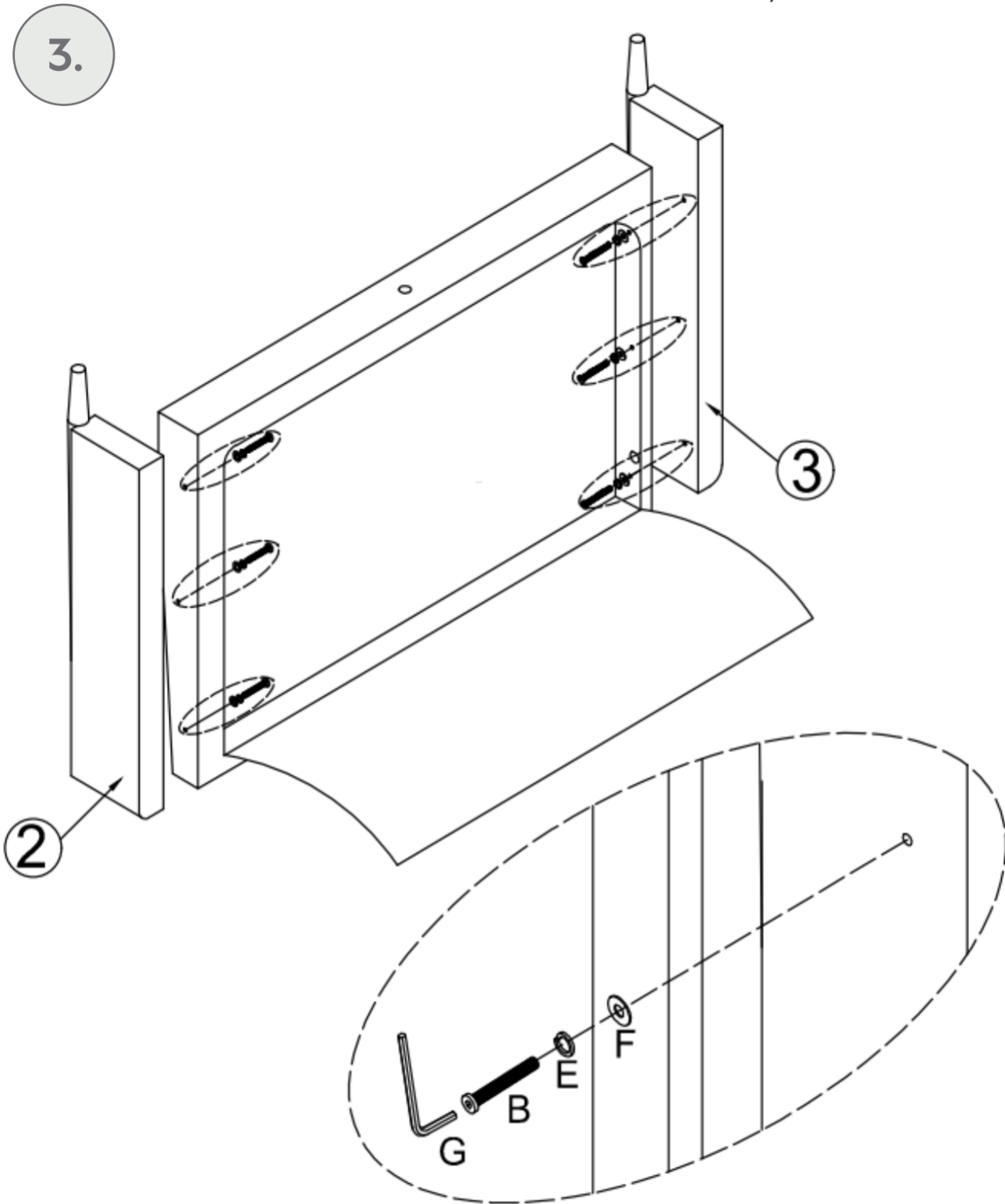
**FARNDON FLIP
STORAGE BED-W63011**
Assembly instructions

2.

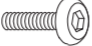





The wiring routes on both sides are identical.

**FARNDON FLIP
STORAGE BED-W63011**
Assembly instructions



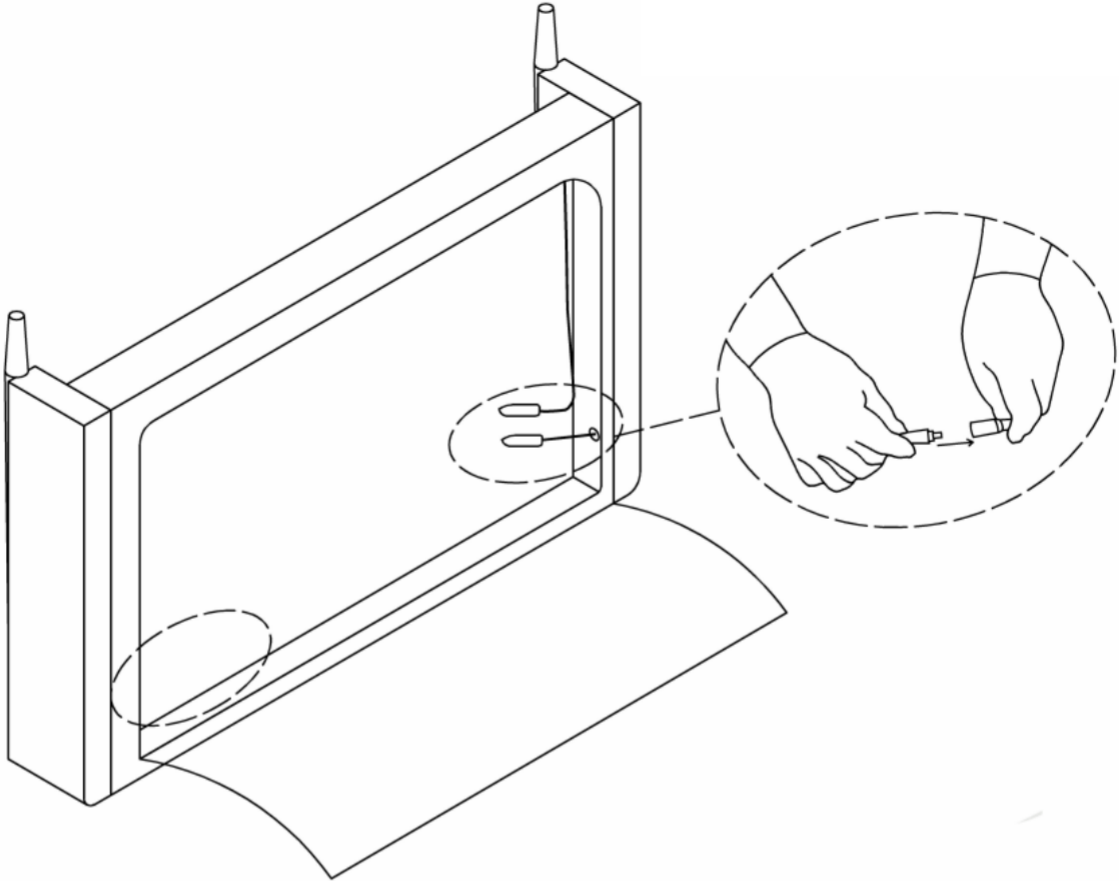
Note: Do not tighten any bolts until all bolts are installed.

B	8x50mm	6		F	8x19mm	6	
E	8x11mm	6		G	N/A	1	

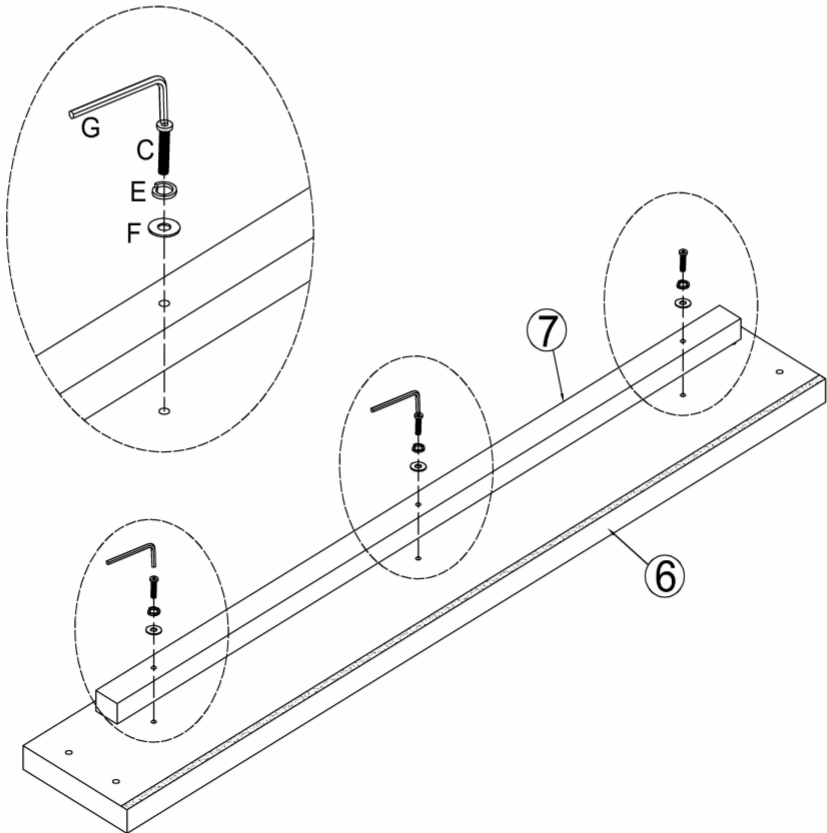
FARNDON FLIP STORAGE BED-W63011

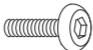



Assembly instructions

4.



5.

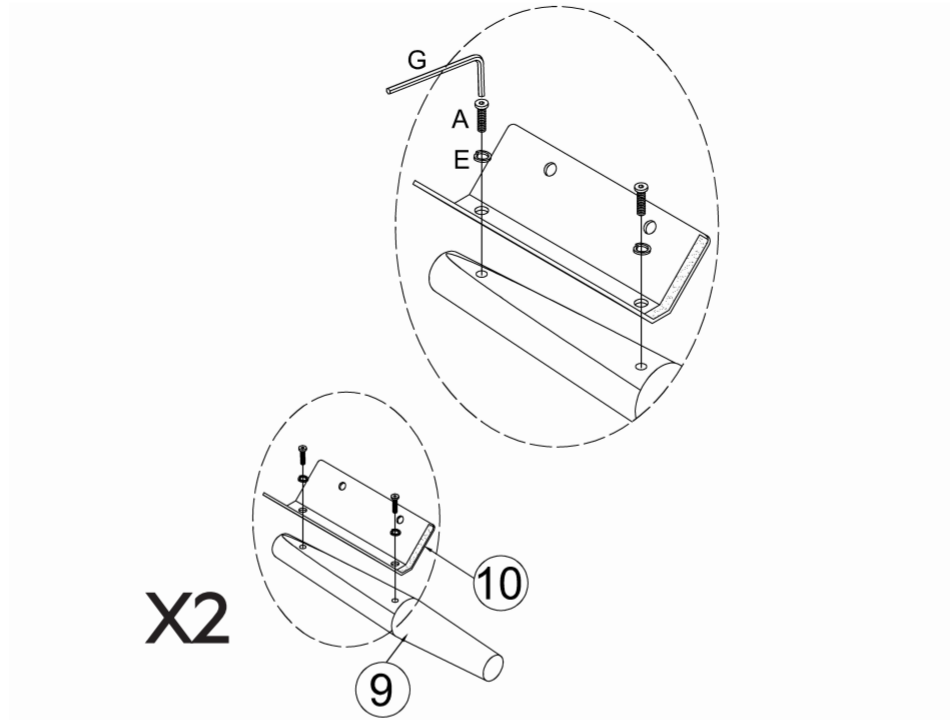


C	8x60mm	3		F	8x19mm	3	
E	8x11mm	3		G	N/A	1	

FARNDON FLIP STORAGE BED-W63011

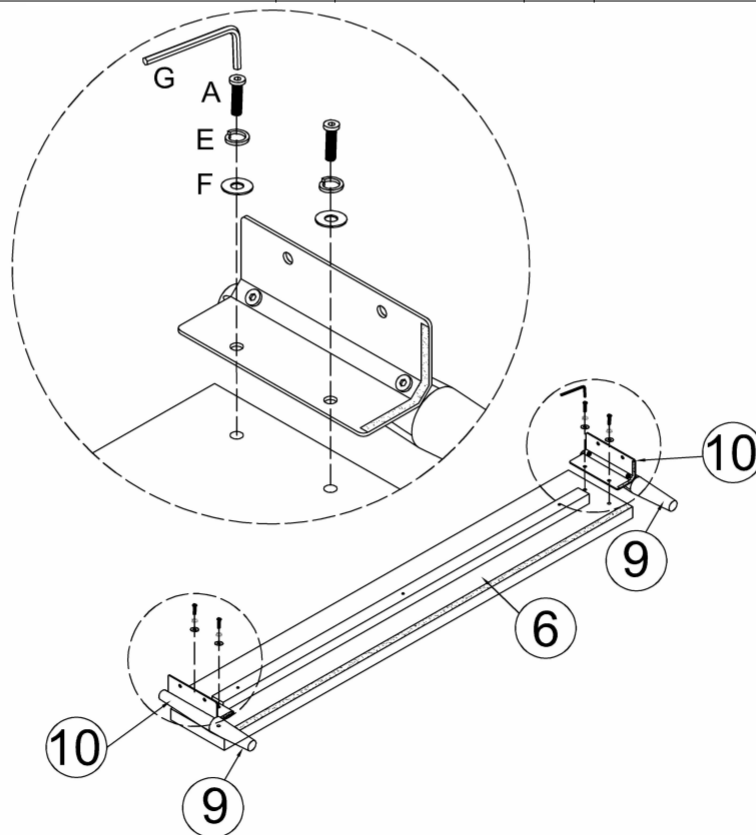
Assembly instructions

6.



A	8x25mm	4		G	N/A	1	
E	8x11mm	4					

7.

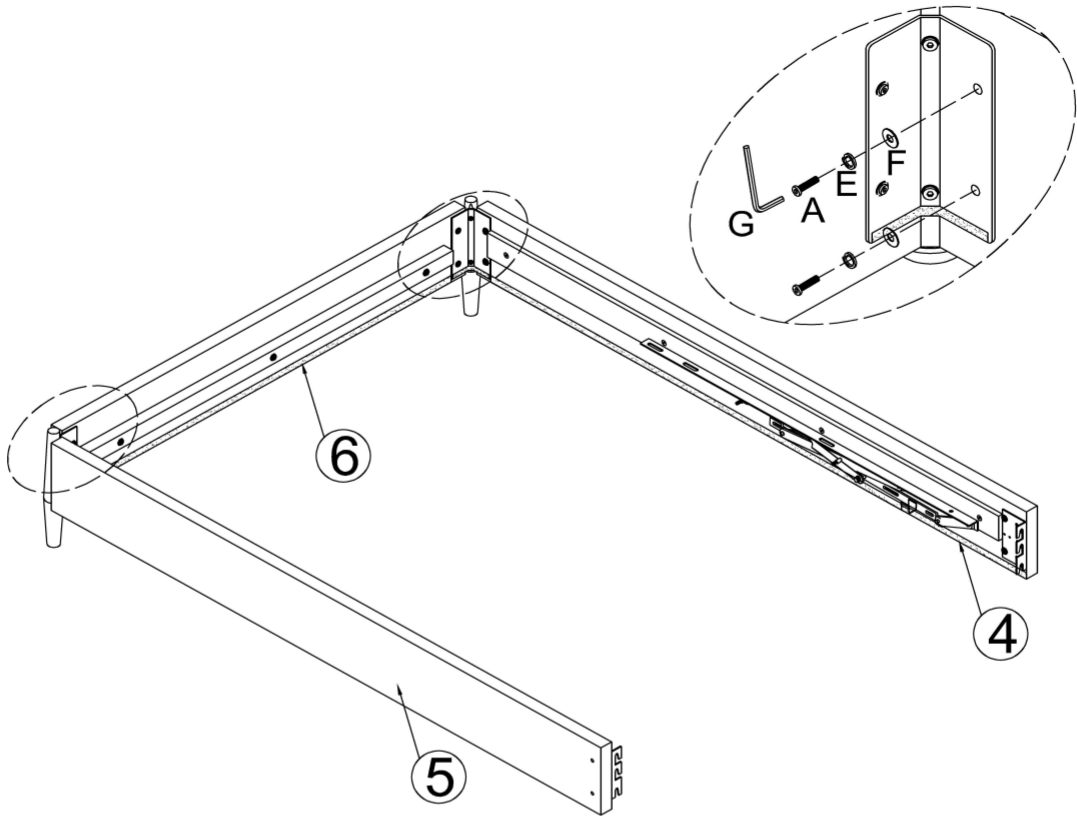


A	8x25mm	4		F	8x19mm	4	
E	8x11mm	4		G	N/A	1	

FARNDON FLIP STORAGE BED-W63011

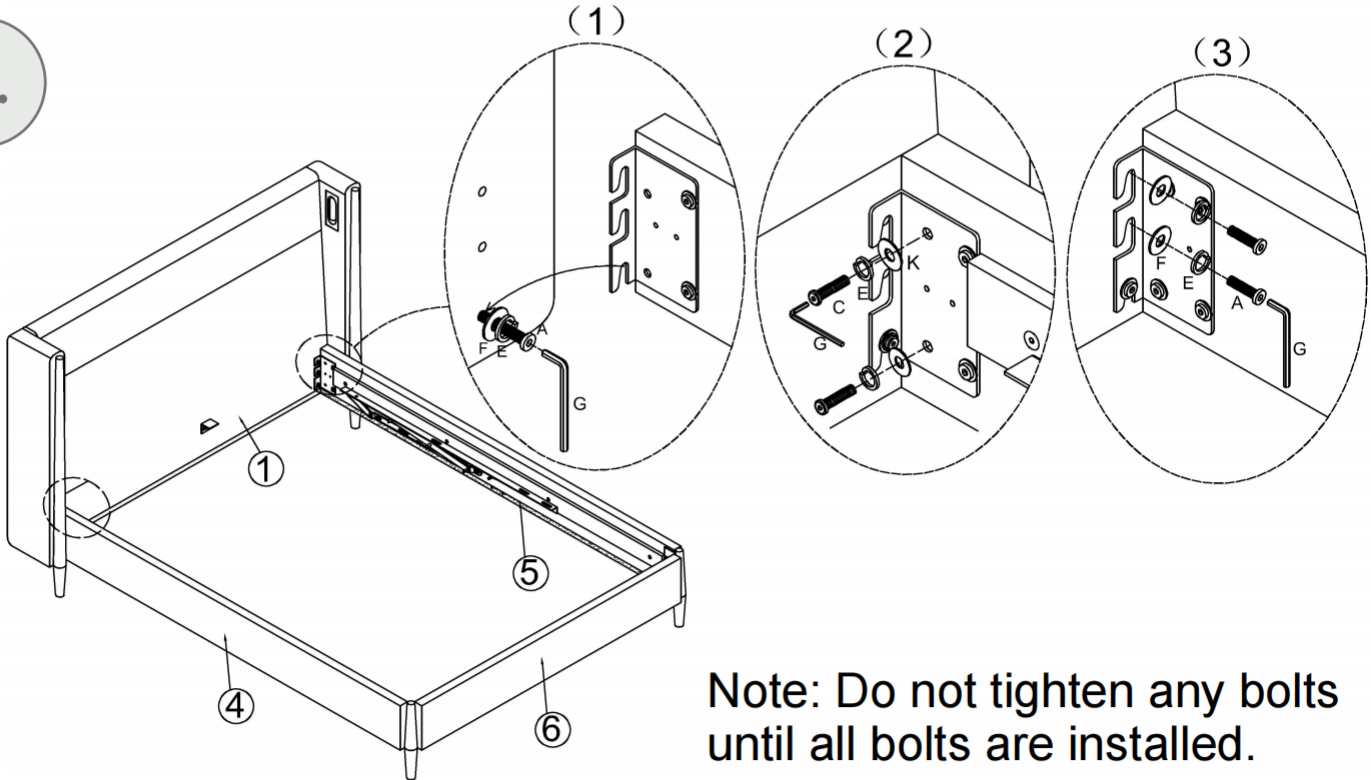
Assembly instructions

8.



A	8x25mm	4		F	8x19mm	4	
E	8x11mm	4		G	N/A	1	

9.



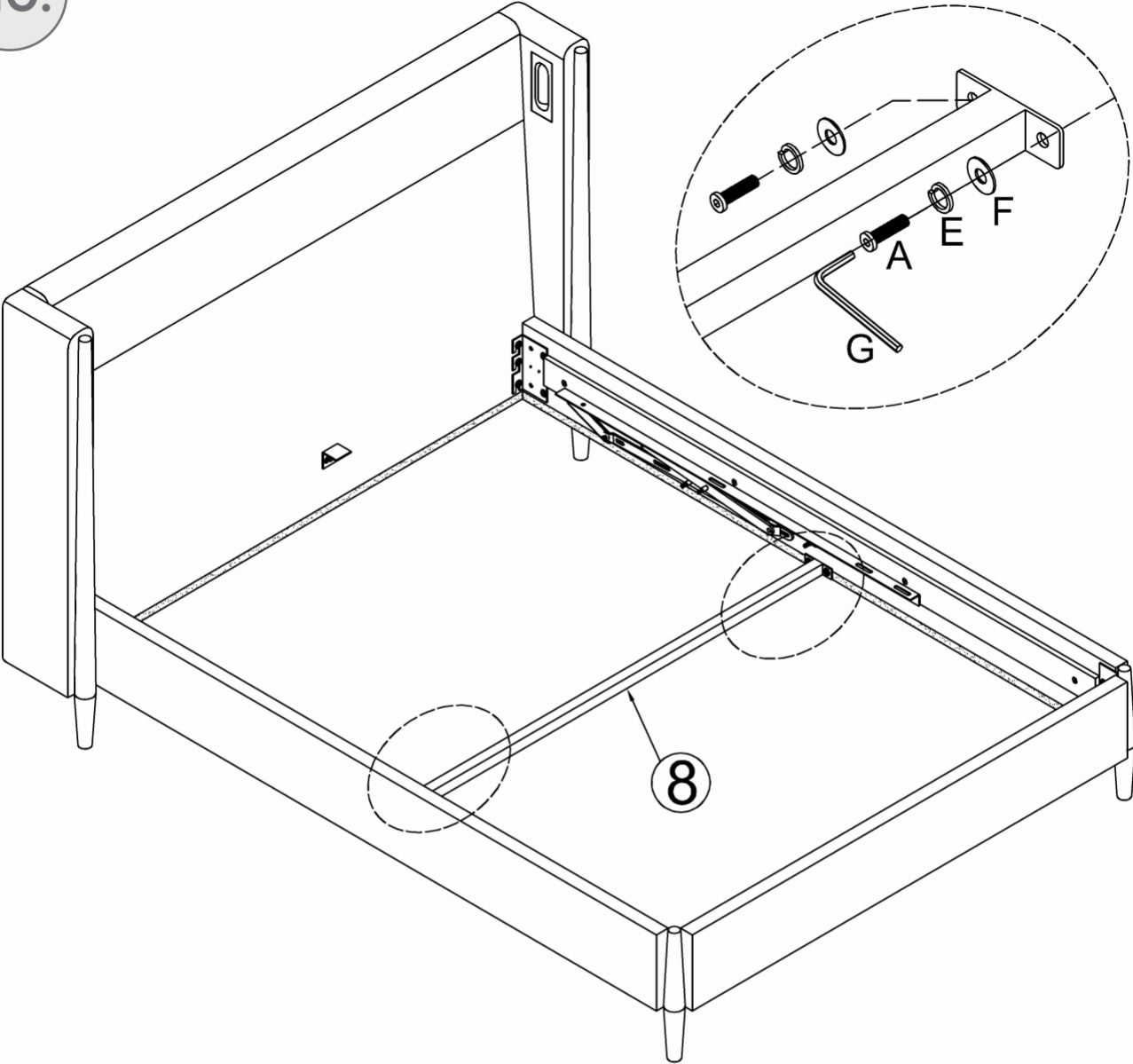
Note: Do not tighten any bolts until all bolts are installed.

A	8x25mm	6		F	8x19mm	6		C	8x60mm	4	
E	8x11mm	6		G	N/A	1		K	8x22mm	4	


FARNDON FLIP STORAGE BED-W63011

Assembly instructions

10.



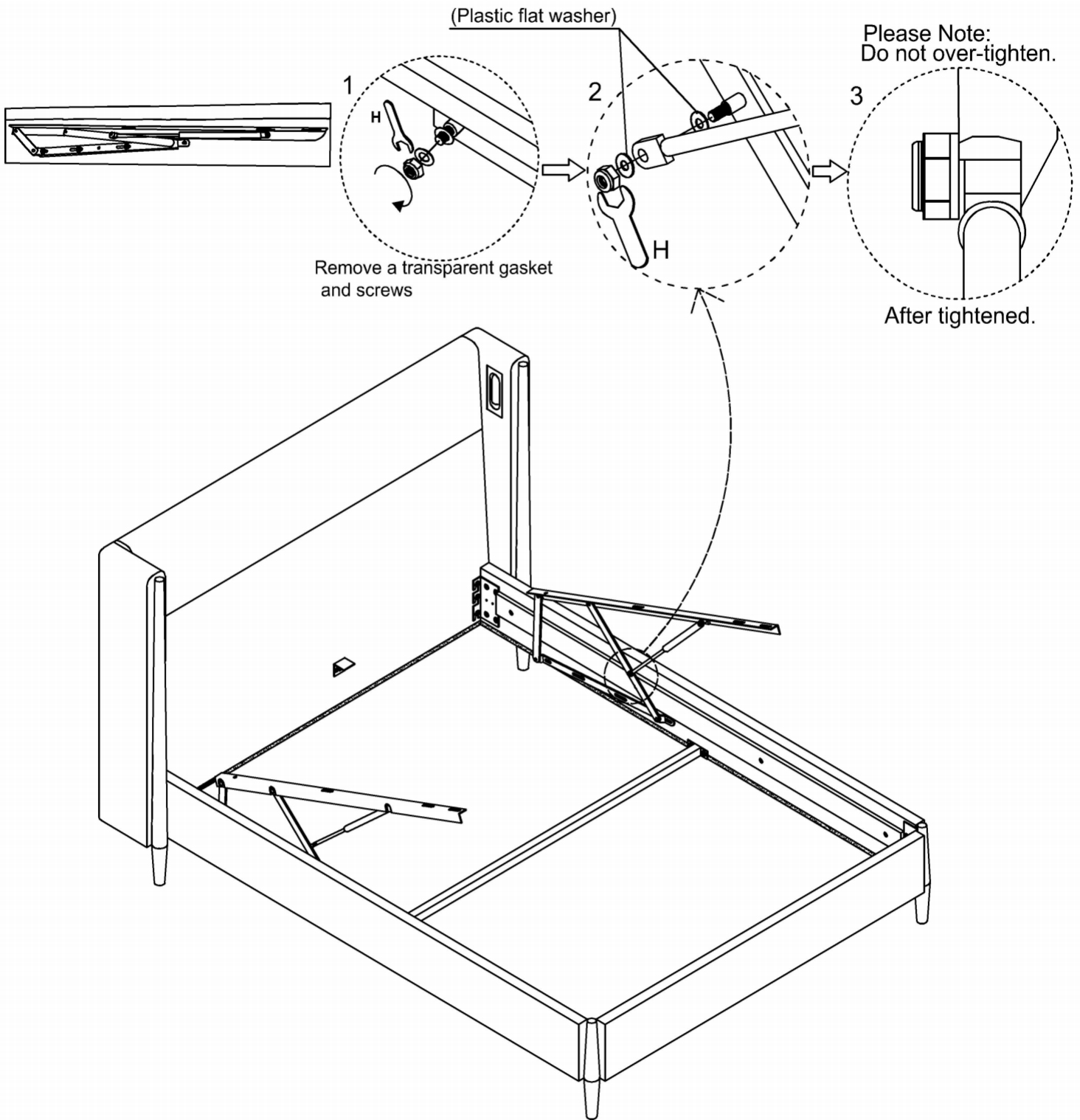
Tighten all bolts.


A	8x25mm	4		F	8x19mm	4	
E	8x11mm	4		G	N/A	1	

FARNDON FLIP STORAGE BED-W63011

Assembly instructions

11.

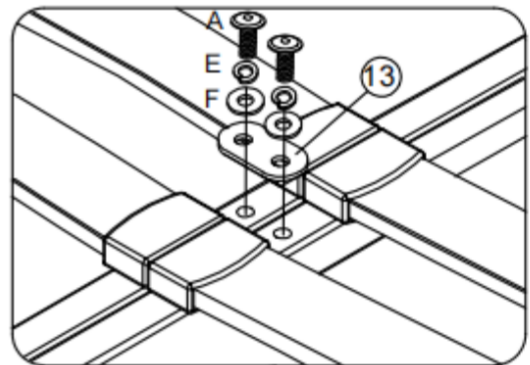
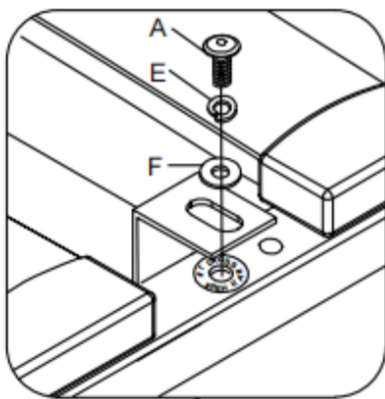
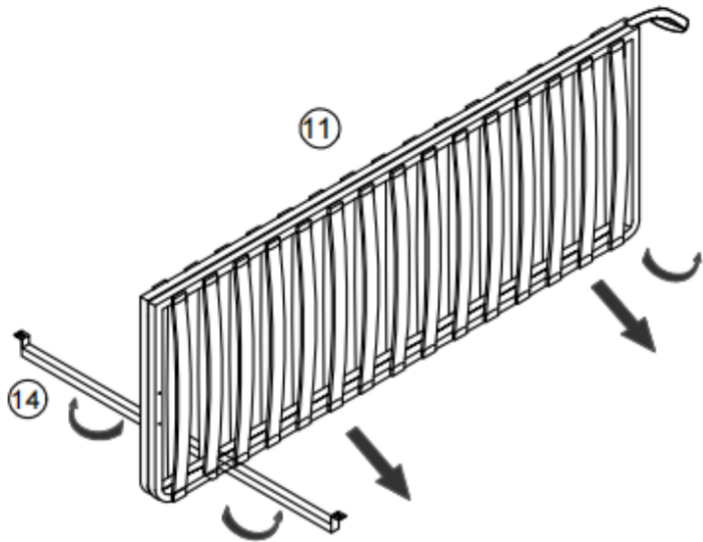


H	N/A	1	
---	-----	---	---

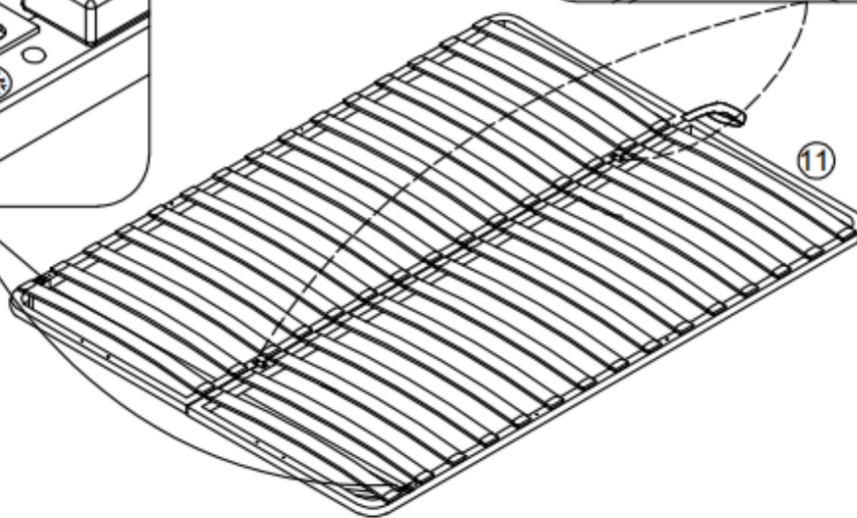
**FARNDON FLIP
STORAGE BED-W63011**
Assembly instructions

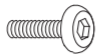



12

KING



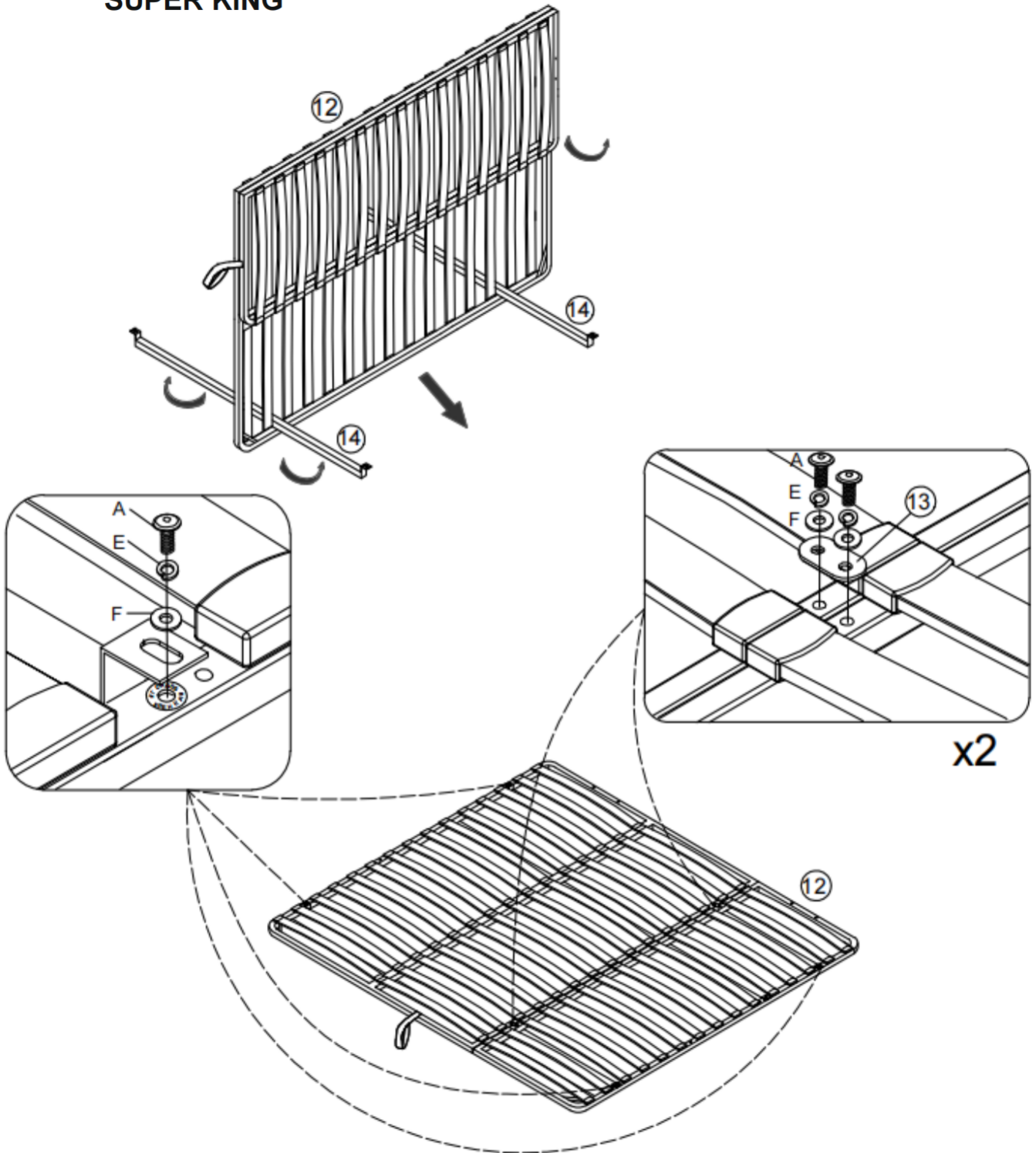
x2

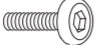





A	8x25mm	6		F	8x19mm	6	
E	8x11mm	6		G	N/A	1	

12.

SUPER KING

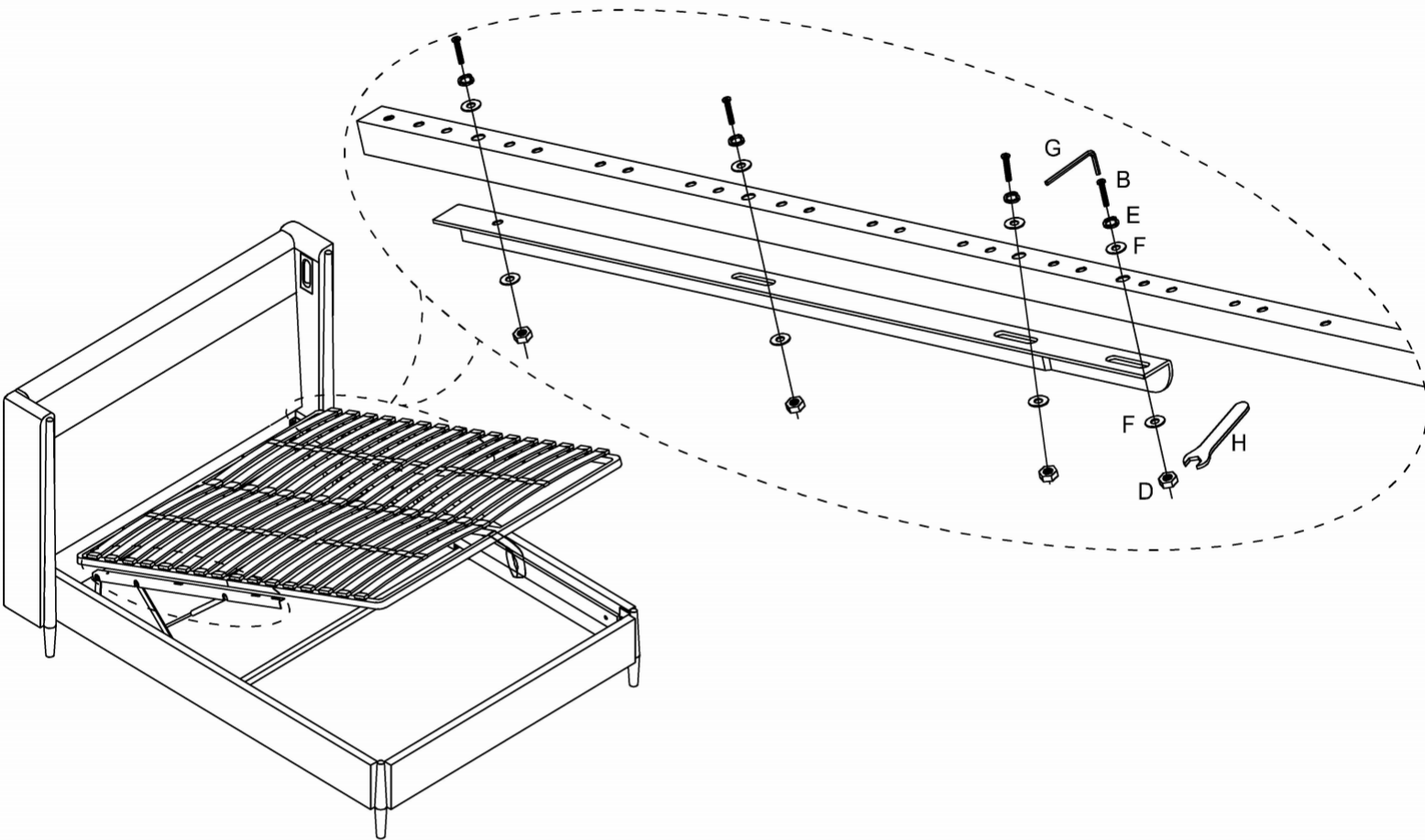



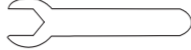
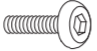



A	8x25mm	8		F	8x19mm	8	
E	8x11mm	8		G	N/A	1	

FARNDON FLIP STORAGE BED-W63011

Assembly instructions

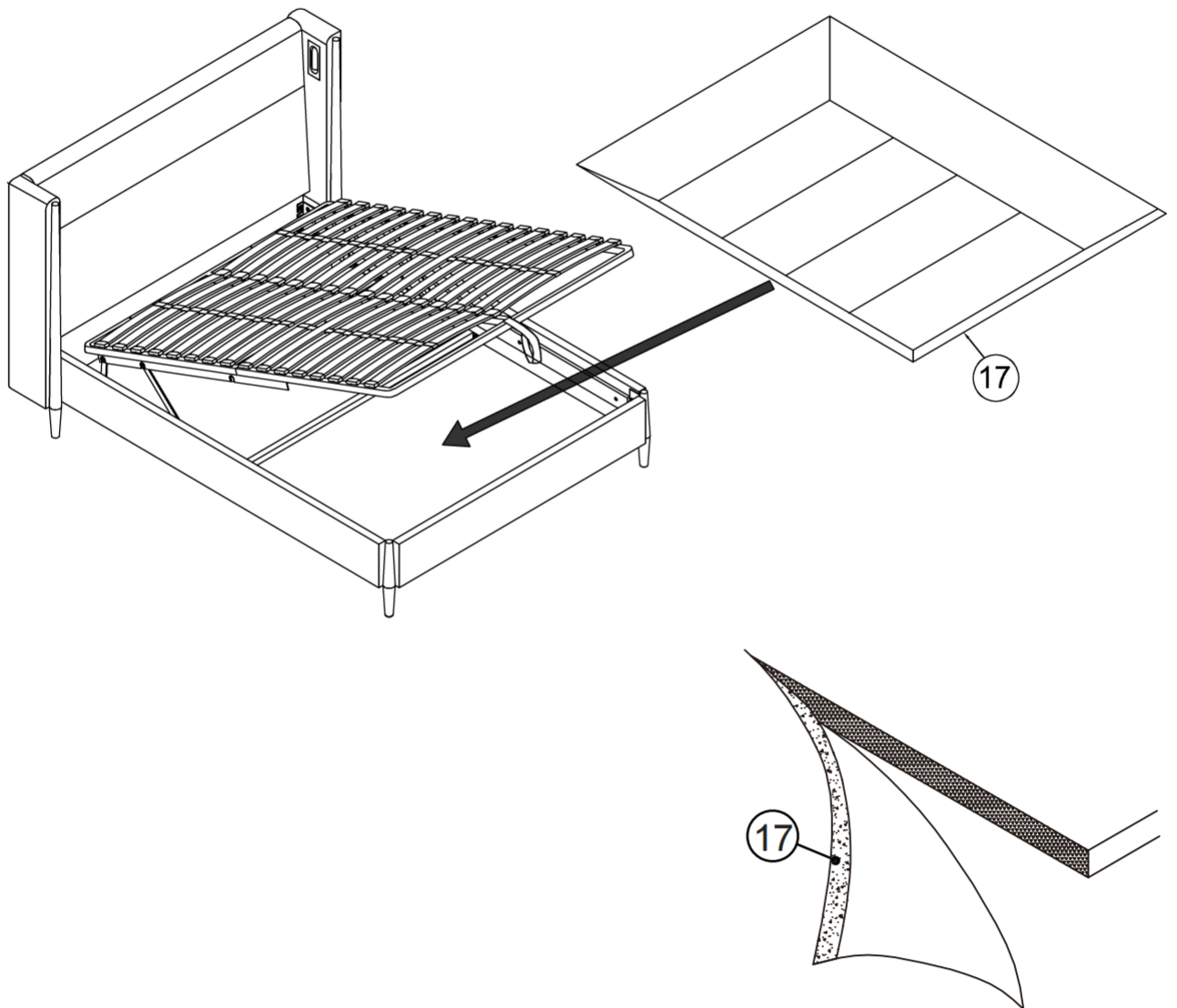
13.



D	8x12mm	8		H	N/A	1	
B	8x50mm	8		F	8x19mm	16	
E	8x11mm	8		G	N/A	1	

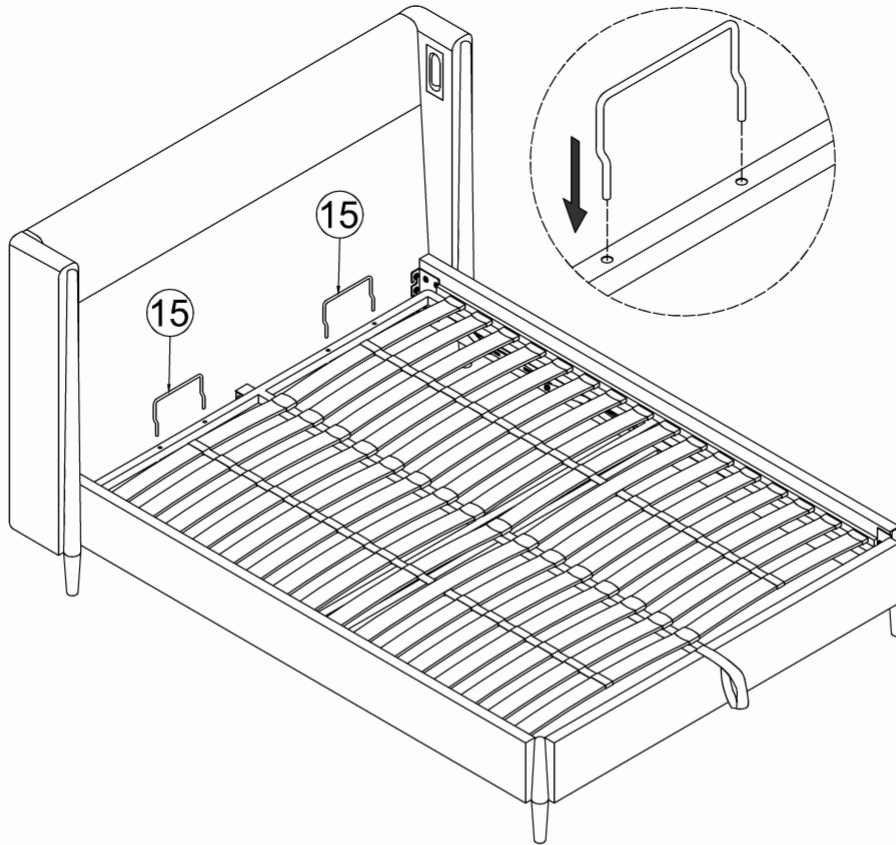
FARNDON FLIP
STORAGE BED-W63011
Assembly instructions

14.

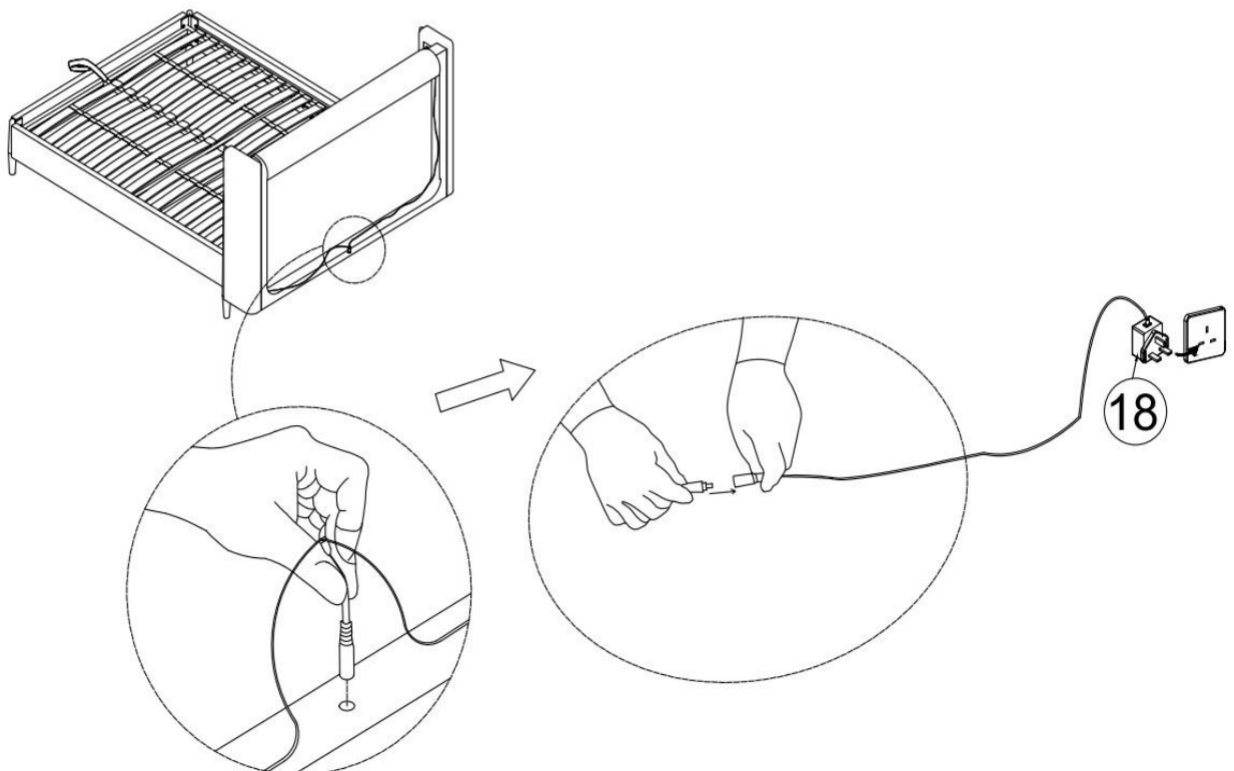


**FARNDON FLIP
STORAGE BED-W63011**
Assembly instructions

15.



16.



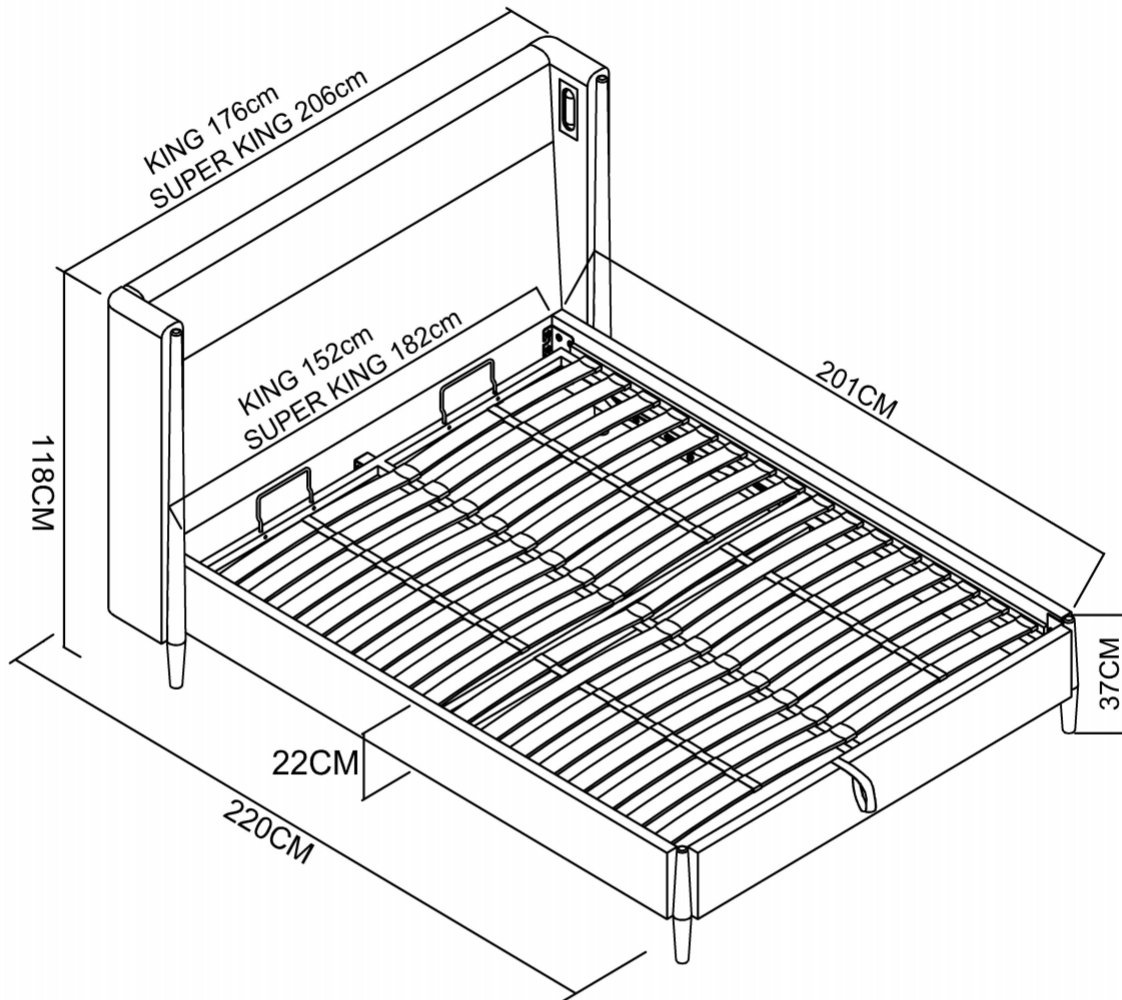
FARNDON FLIP STORAGE BED-W63011

Assembly instructions

Actual Product size

King: H118×W176×D220CM

Super King: H118×W206×D220CM



LUMINAIRES

We like to keep our customer's safe so these Luminaires are prepared with class II and class III electrical circuits.

There is no mains electricity in the bed and overall power rating for lights is 12V 2A DC - (direct current).

The 220/240V power adapter should be plugged into a properly earthed wall socket.

This adapter has an input rating of 220-240-50/60 Hz - 0.3A Max - output is 12.0V -1.0A 12.0W - for safety please only use the adapter that was supplied with the bed. Luminaires can be replaced by end-user or a professional, parts to be ordered through customer services on 0333 777 8999.

The testing of the system has been carried out by an accredited laboratory and meets or exceeds the standards below.

The whole system is fully approved for use in Europe & UK and to carry CE marking if required.

CE / LVD / UKCA BS EN IEC 60598-2-1:2021 BS EN 60598-1:2015+A1:2018 BS EN 62493:2015

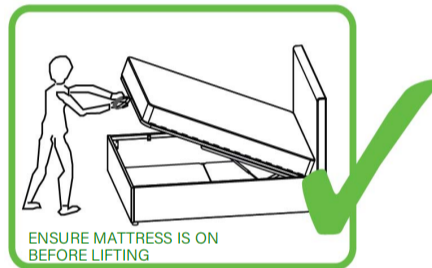
IEC 60598-2-1:1979 AMD1:1987 IEC 60598-1:2014 AMD1:2017 IEC 62493:2015

EN 60598-2-1:2015+A1:2018 EN 62493:2015 POWER SUPPLY BS EN 61547:2023

BS EN 55015:2019+A11:2020 BS EN IEC 61000-3-2:2019 BS EN 61000-3-3:2013+A1:2019

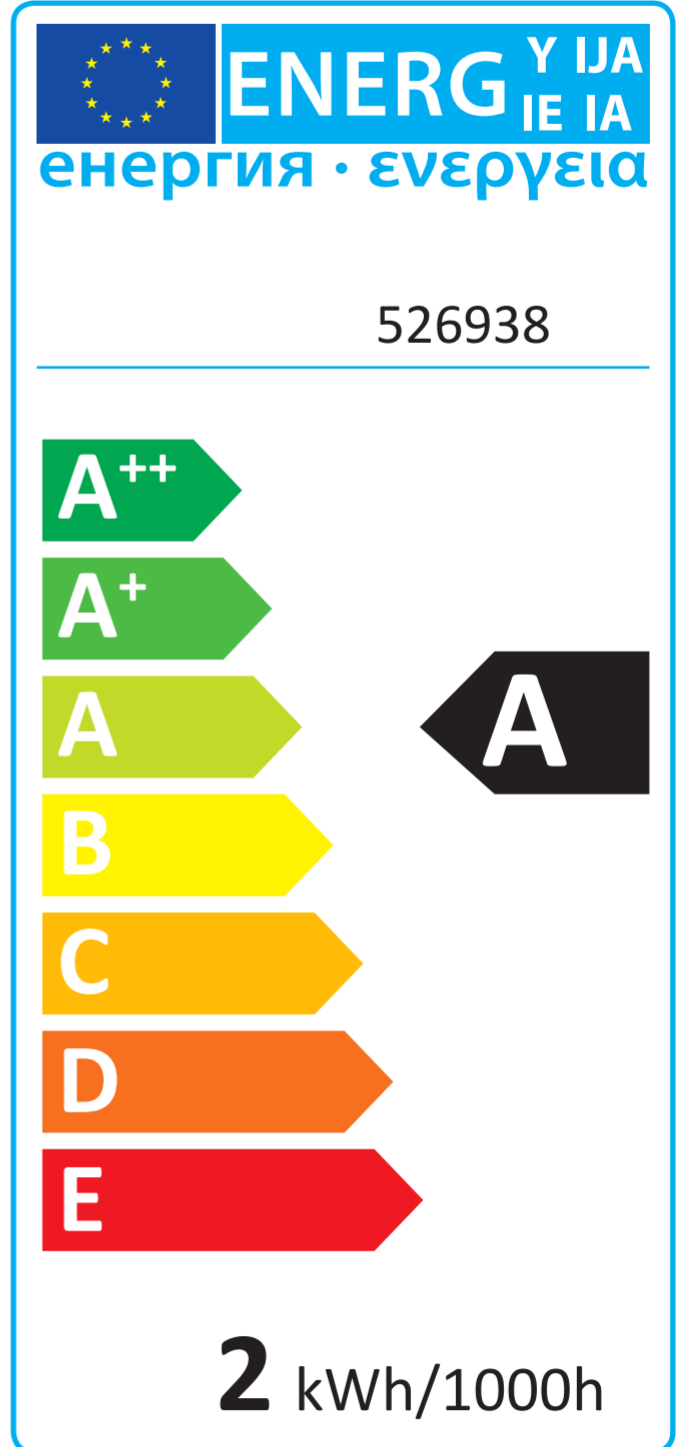
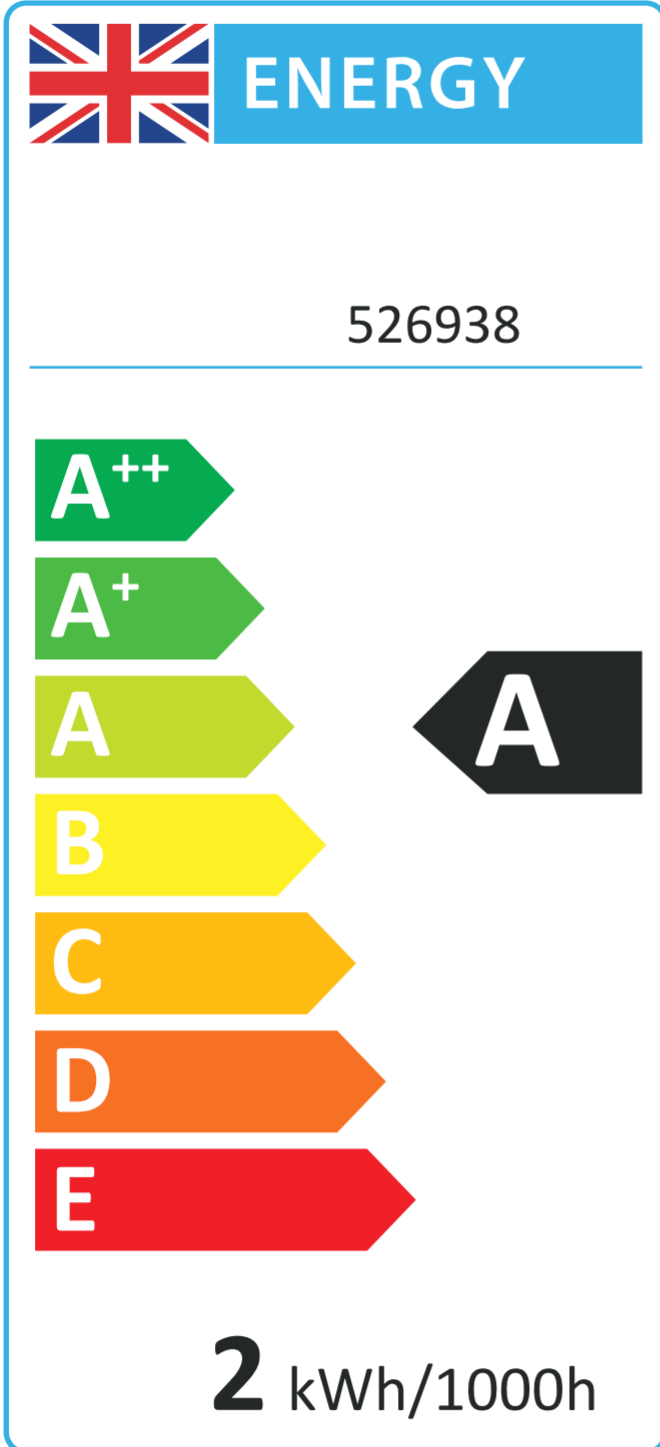
IMPORTANT OTTOMAN SAFETY WARNINGS

- IMPORTANT – READ CAREFULLY – RETAIN FOR FUTURE REFERENCE
- You must ensure that the mattress is on the bed frame before operating the lift mechanism – Failure to do so could result in injury.
- Keep hands clear of the mechanism when opening or closing the ottoman.
- Beware of entrapment – Never reach in through the mechanism to access the storage area.
- Always ensure that the ottoman is FULLY opened before accessing the storage area.
- Do not reach into the storage area through the hinge mechanism.
- Do not exceed the maximum weight as specified in the table below:



Bed Size	Min Weight (kg)	Max Weight (kg)
Small Double	20	50
Double	20	60
King	25	70
Super King	30	85

- Use caution when operating, always use the handle when lifting
- Note: This bed uses a pressurised mechanism.
- To be operated by adults only
- Please ensure that children and pets are kept away from the bed when operating the lift mechanism.
- Keep children and pets away from the storage area.
- No children or animals are left unattended when the frame is in the 'up' position.
- Do not overload the internal storage base.
- Do not stand inside the internal storage area of the bed
- Before removing the mattress secure the frame to ensure it does not open unexpectedly.
- Do not attempt to lie on the mattress when the ottoman is in the raised position.
- When lifting the ottoman remove all bedding except the fitted sheet.
- Depending on the weight of the mattress, the rising speed will vary so be careful until you get used to the speed.
- NOTE: When fully assembled and the mattress is in position, please raise and lower the ottoman 4 / 5 times to ensure the gas pistons are fully lubricated.



IMPORTANT - RETAIN FOR FUTURE REFERENCE

Need Help ?

With: Assembly instruction
Missing or damaged parts
CALL: 0333 777 8999