

# NEXT

## WOLTON STANDARD BED - W63022

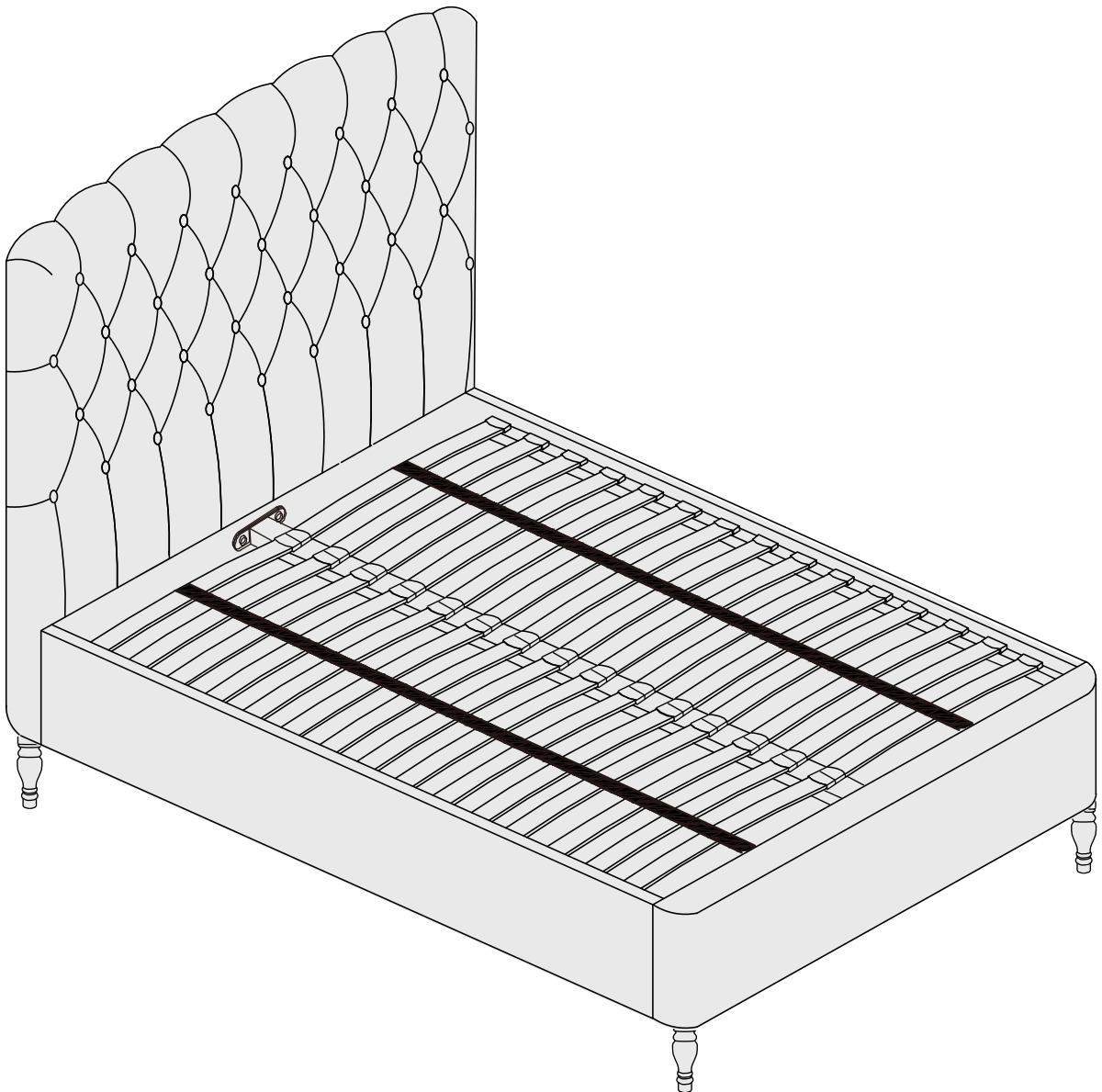
Assembly instructions

Actual product size

DOUBLE : H131 x W148 x L209 cm

KING : H131 x W163 x L219 cm

SUPER KING: H131 x W193 x L219 cm



### Need Help?

With: Assembly instruction  
Missing or damaged parts  
CALL: 0333 777 8999

**IMPORTANT - RETAIN FOR FUTURE REFERENCE**

# WOLTON STANDARD BED – W63022

## Assembly instructions

### BEFORE YOU START

Two people are required to assemble this item

Time to assemble: 60 minutes



#### Do's

Spend a short time reading through this leaflet before you start.

When you are ready to start, make sure that you have the right tools and plenty of space.

Due to the size of the product, we recommend that it is assembled in the room intended for use.

Unwrap all packaging materials and place the components on a clean surface to protect it from damage. We recommend that the packaging is used to protect the light coloured fabrics during assembly.

Carefully check that you have all the parts before beginning assembly.

Ensure the product is fully assembled as illustrated and all fixings are fully tightened before use. Check fixings regularly to ensure they remain tight.

When moving your assembled bed. Lift the bed and never to drag it.

Never allow any kind of liquid to remain on your furniture.

Absorption can cause materials to warp or finishes to de-laminate.

To clean your item, please use a vacuum or lightly brush clean.

Please note:

Periodically check the condition of your bed slats and plastic locating caps to ensure they are in good condition and have not become loose.

#### Missing parts

If you are missing any fixtures and fittings for your product. Please contact our customer service team on 0333 777 8999 and they will be happy to arrange for a replacement to be sent to you free of charge.

#### Warnings

Retain these instructions for future reference.

Keep fittings out of children's reach and keep children well away from construction area.

This product should only be used on firm level ground.

Periodically check all fittings and re-tighten as necessary.

Do not jump or stand on your bed.

Avoid exposing the furniture to excessive heat or direct sunlight as this can cause damage to the materials and deterioration of the colour.

#### Home Service Technicians

If you have a fault with your product, please contact our customer service team on 0333 777 8999. If you have had the product for 28 days or less, you may be offered a replacement, refund or for a fully trained home service technician to visit your home to assess the fault and repair the product where possible. If you have had the product for more than 28 days, we will send an independent home service technician to review and repair the product where possible and recommend further action.

#### CAUTION:

Ottoman Storage beds use strong gas pistons to aid you in lifting the mattress to access storage.

Do not attempt to operate the mechanism without a mattress in place.

This could cause damage to the frame or potential injury when opening or closing.

Use the strap or handle provided to operate.

Keep hands and objects away from moving components.

Minimum and maximum weight restrictions are highlighted below.

DOUBLE: Min 20kg & Max 60kg

KING: Min 25kg & Max 70kg

SUPER KING: Min 30kg & Max 85kg

Ensure your mattress meets this specification. Do not overload the bed frame as this will damage the mechanism.

You can write to us at  
Home Customer Services  
Next Retail Ltd  
Desford Road,  
Leicester,  
LE19 4AT

To view our full furniture range please visit [www.next.co.uk](http://www.next.co.uk)

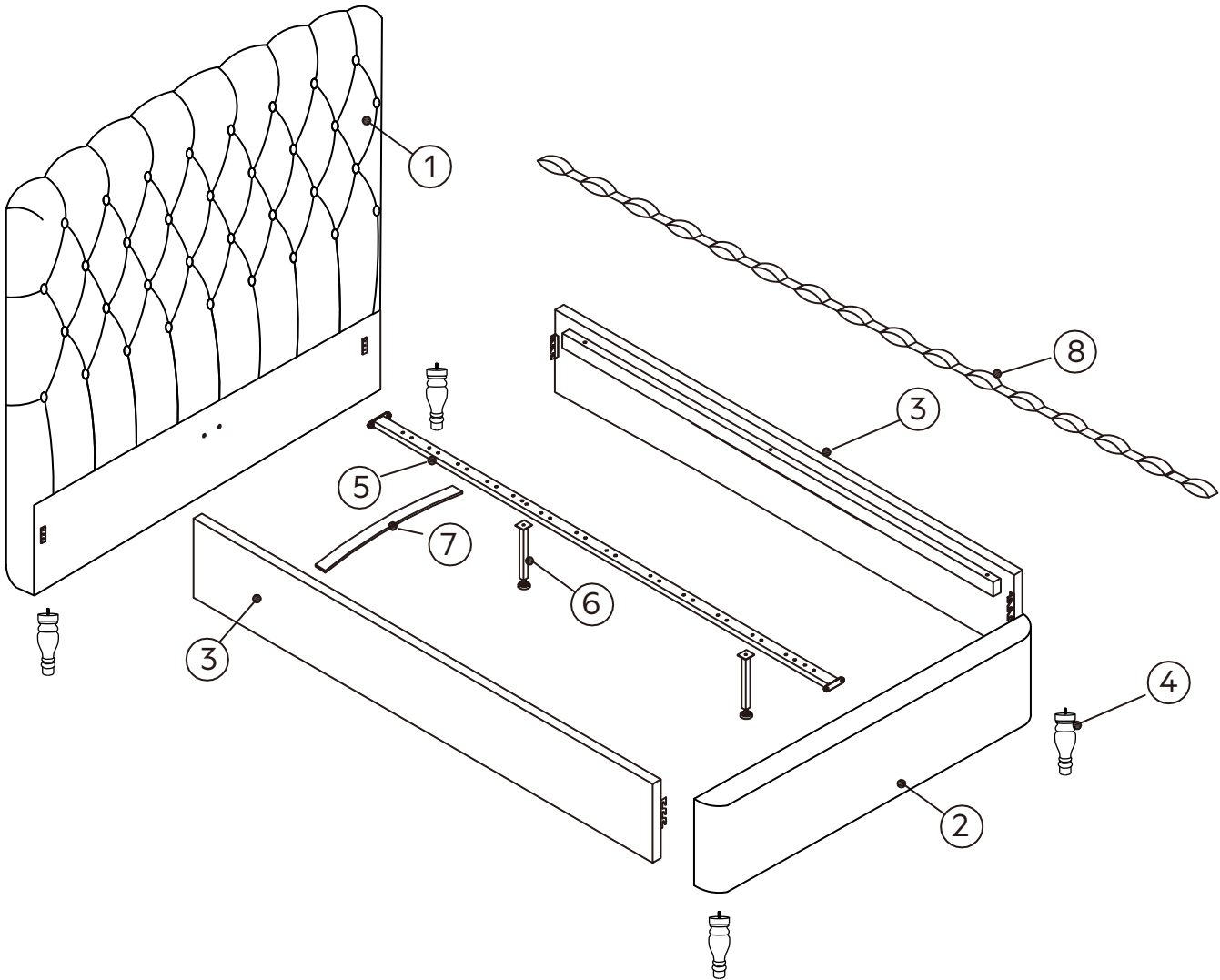
### Need Help?

With: Assembly instruction  
Missing or damaged parts  
CALL: 0333 777 8999

# WOLTON STANDARD BED - W63022

Assembly instructions

## GETTING TO KNOW YOUR PRODUCT



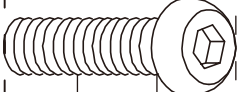
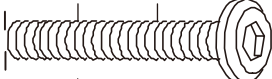
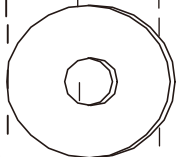

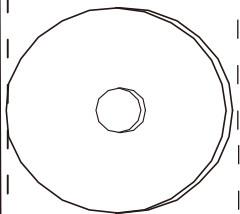
Components supplied. Please use this guide if you require replacement parts.




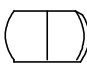
Ref	Dimension	Visual	Qty	Ctn
1	Doble:146x119cm King: 161x 119cm Super King :191x119cm		1	1
2	Doble:146 x28.5 cm King: 161x 28.5 cm Super King :191x28.5 cm		1	2
3	Doble:192 x28.5cm King: 202x28.5 cm Super King :202x28.5cm		2	2
4	6.5 x19cm		4	2
5	Doble:192 x 4cm King: 202 x 4cm Super King :202 x 4cm		1	2

Ref	Dimension	Visual	Qty	Ctn
6	33.5 x2.5 cm		2	2
7	Doble:68x 6 cm King: 75.5 x6 cm Super King :90.5x6 cm		30 32 32	1
8	Doble:171x2.5cm King: 181x2.5cm Super King :181x2.5cm		2	2

# WOLTON STANDARD BED - W63022

## Assembly instructions

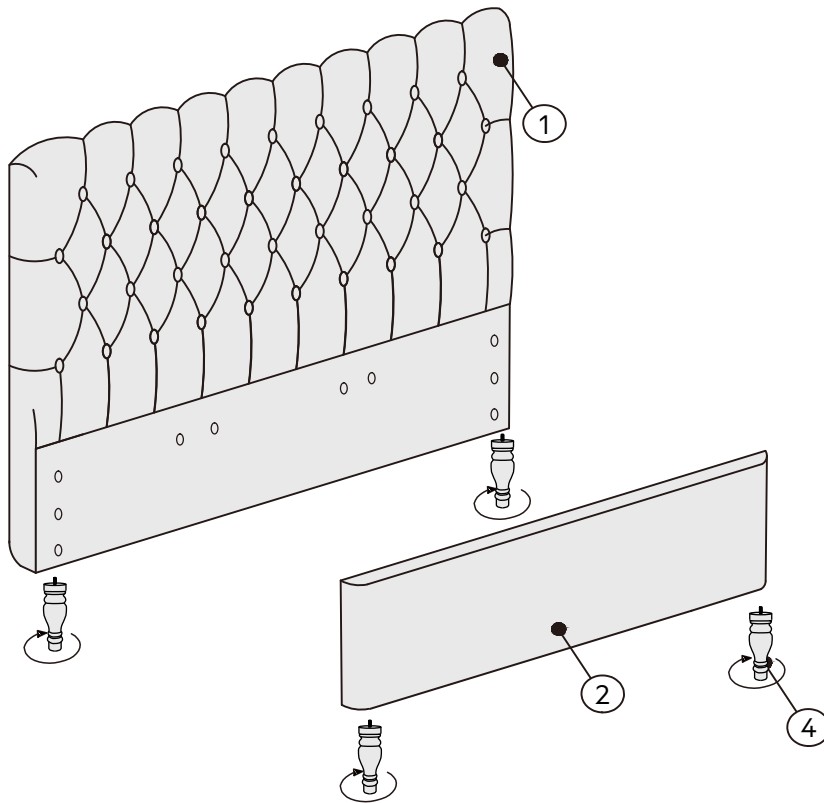
Fixtures and fittings supplied (actual size)				mm 10 20 30 40 50 60 70 80 90 100 110 120 130												
Ref	Dimension	Qty	Spare													
A2	8x30mm (Black)	16	1													
B4	6x35mm (Black)	2	1													
D3	8x22mm (Black)	16	1													
K	8x14mm (Black)	16	1													
D6	6x30mm (Black)	2	1													

Fixtures and fittings supplied(not to scale)			
Ref	Qty	Spare	Visual
F1	2	N/A	
F2	1	N/A	
H1	30 32 32	1	
H2	15 16 16	1	

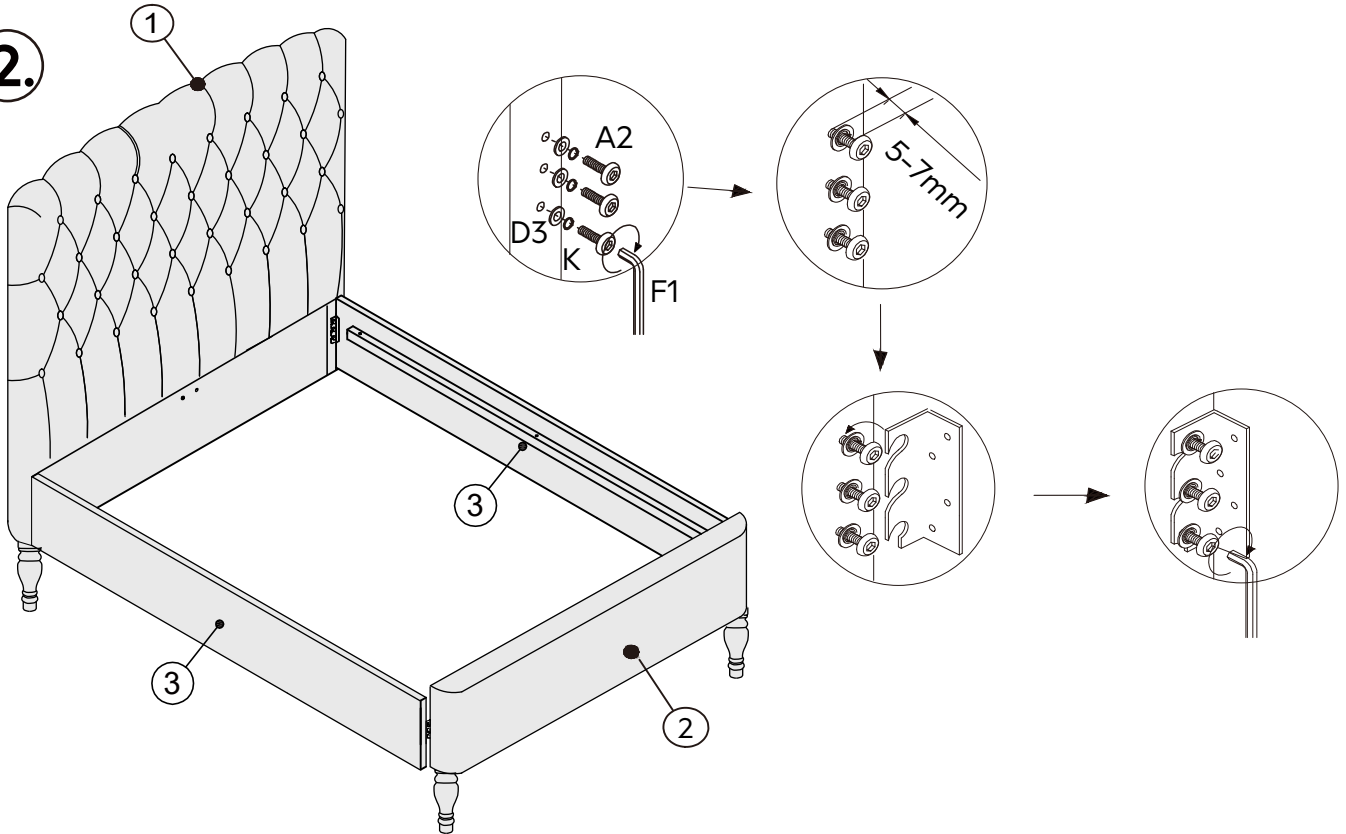
# WOLTON STANDARD BED - W63022





Assembly instructions

1.



2.

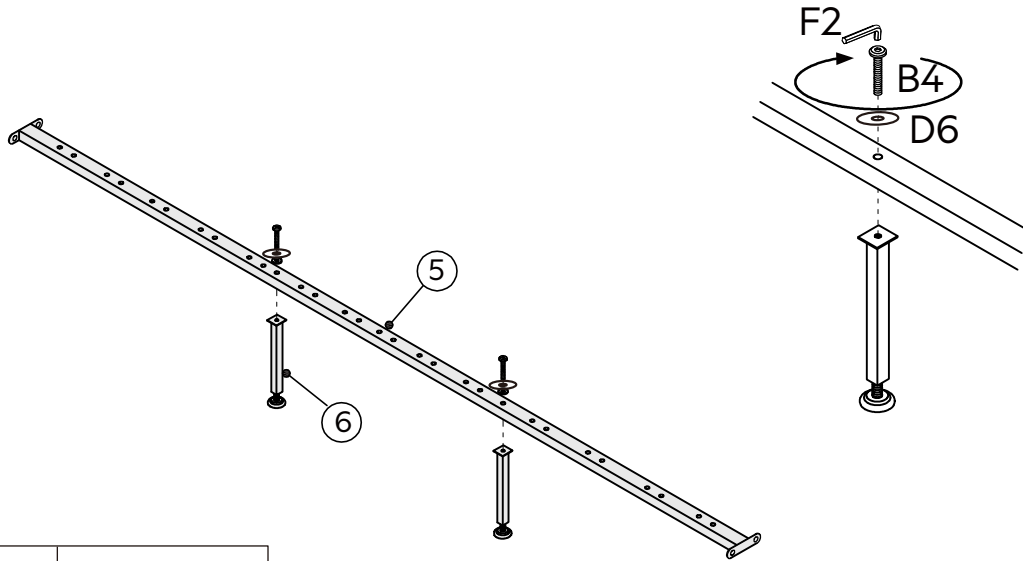


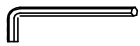


A2	8x30mm	12		D3	8x22mm	12	
K	8x14mm	12		F1	N/A	1	

# WOLTON STANDARD BED - W63022

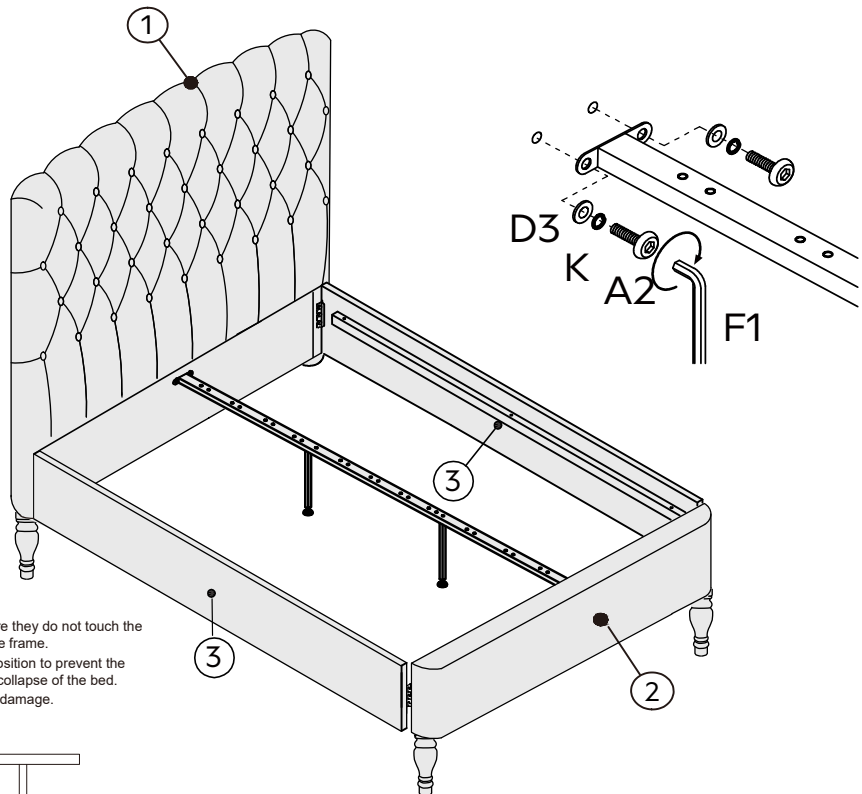
## Assembly instructions

3.



F2	N/A	2					
B4	6x35mm	2		D6	6x30mm	2	

4.



### WARNING!




Once the feet have been assembled and attached, they should be adjusted to ensure they do not touch the floor (5mm above the floor) to allow for movement once the mattress is placed on the frame.

It is important to note that when moving the bed that it is not dragged into its new position to prevent the possibility of these feet being twisted or angled to one side, which could lead to the collapse of the bed.

To move the bed, remove the mattress and lift the bed into its new position to avoid damage.

Ensure the feet at 90° to the floor before replacing the mattress.

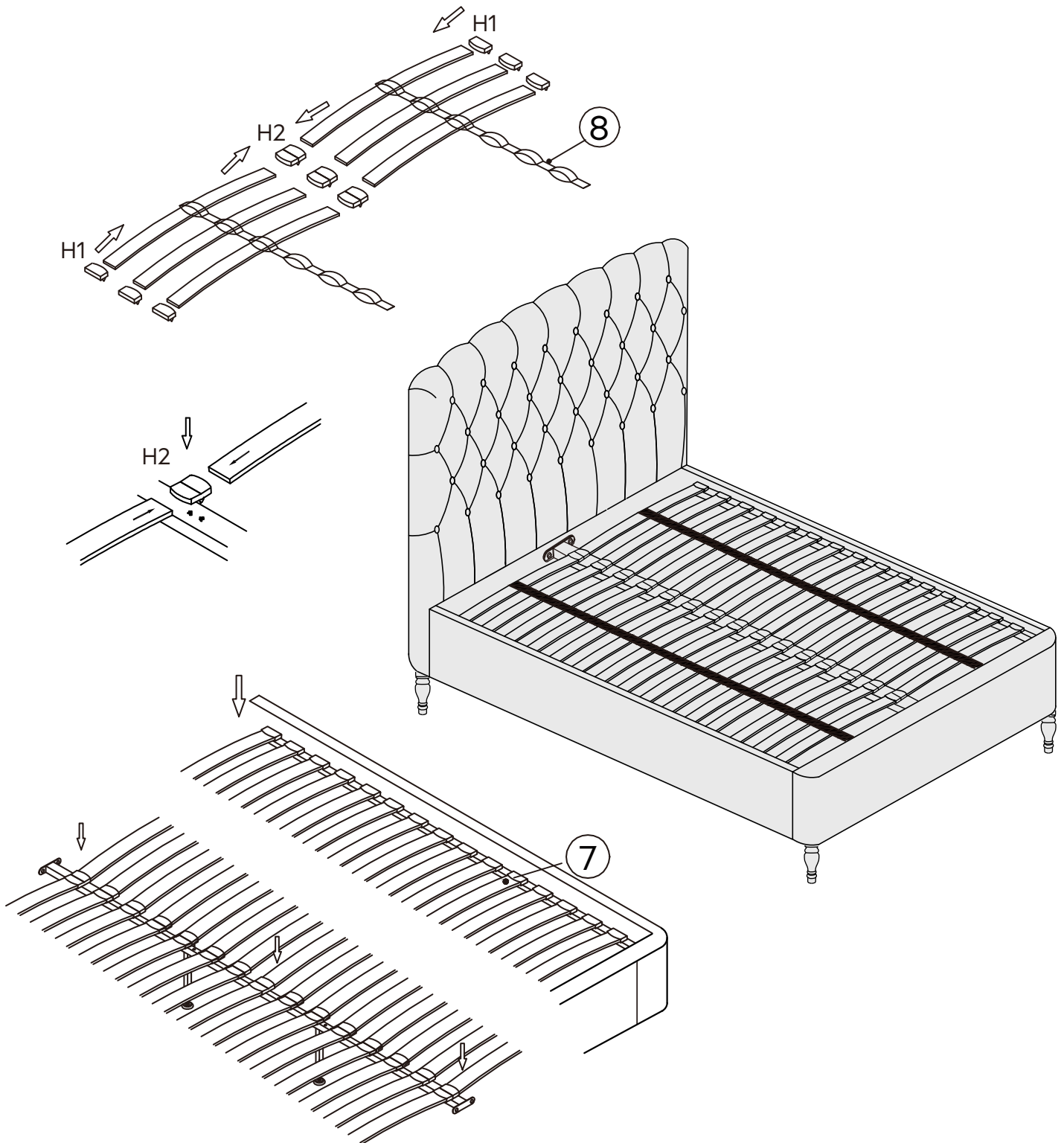




A2	8x30mm	4		F1	N/A	1	
D3	8x22mm	4		K	8x14mm	4	

# WOLTON STANDARD BED - W63022

Assembly instructions

5.



H1	Double	30		H2	Double	15	
	King	32			King	16	
	SuperKing	32			SuperKing	16	

# WOLTON STANDARD BED - W63022

Assembly instructions

# NEXT

## WOLTON STANDARD BED - W63022

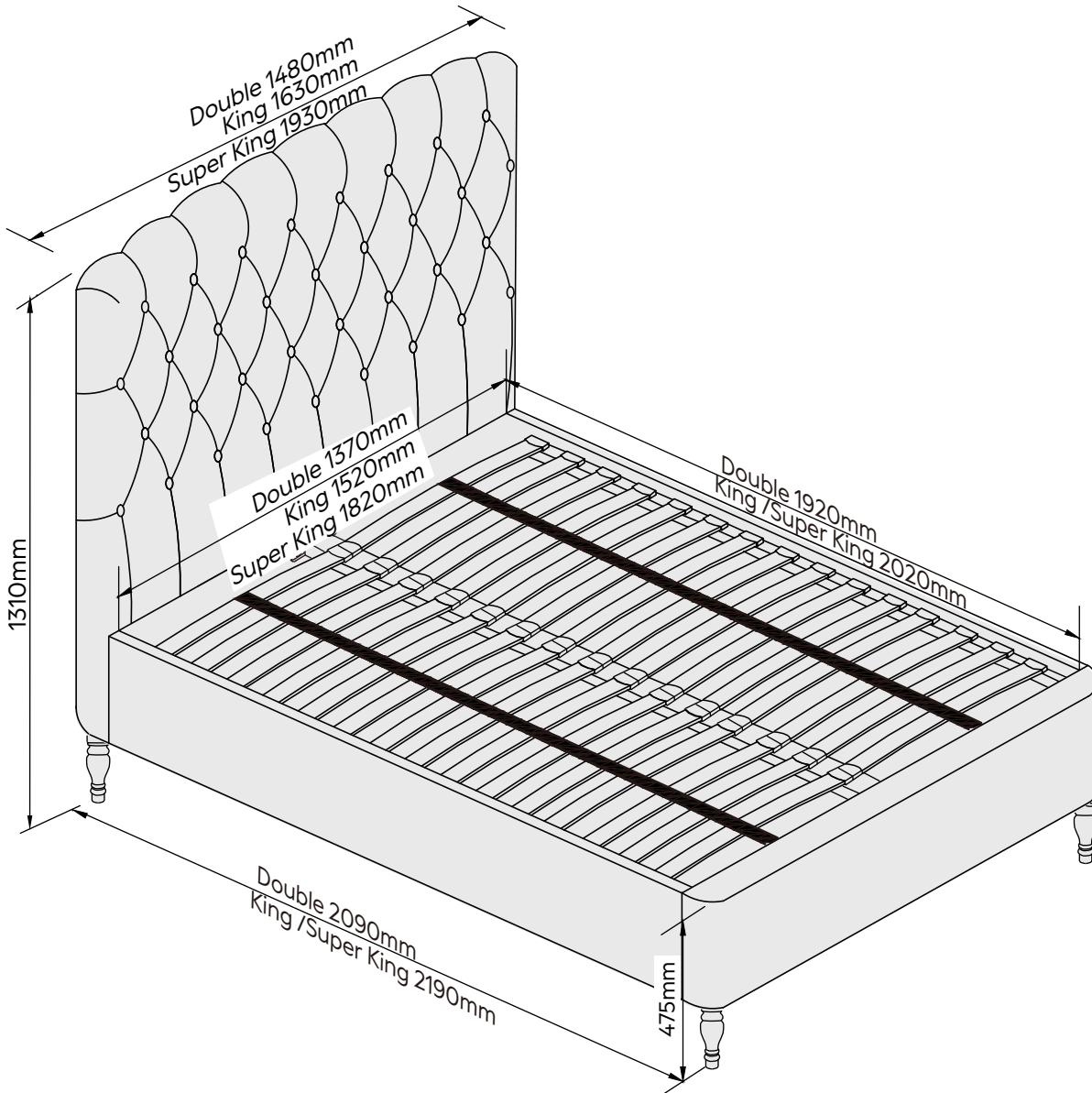
Assembly instructions

Actual product size

DOUBLE : H131 x W148 x L209 cm

KING : H131 x W163 x L219 cm

SUPER KING: H131 x W193 x L219 cm



Delivery Box Sizes(CM):Height x Width x Depth

	Double*	King*	Super King*
Box 1	157x135x12	172x135x12	202x135x12
Box 2	200x28x23	210x28x23	210x28x23

\*Sizes available may vary depending on Colour / Fabric.