

MADE⁺

KACI

Standard Chest
Commode standard
Standaardkist
Standardkommode
C6moda est6ndar



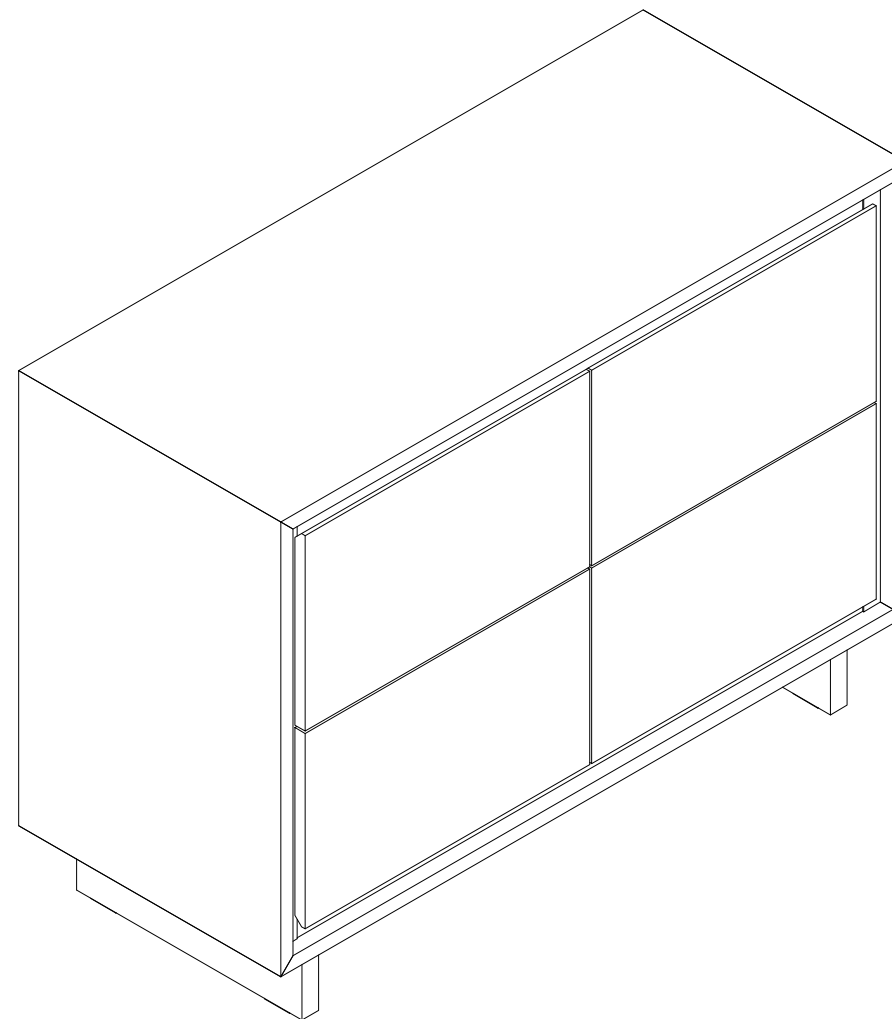
GB - Recommendations for the continual safe use of this product are stated on the final page of these instructions. Please retain for future reference.

FR - Les conseils d'utilisation de ce produit sont indiqu6s sur la derni6re page de ces instructions. Veuillez les conserver pour vous y r6f6rer si besoin.

NL - Aanwijzingen voor veilig gebruik van dit meubel worden toegelicht op de laatste pagina van deze Instructies. Bewaar deze folder goed.

DE - Auf der letzten Seite dieser Anleitung findest du Hinweise f6r eine langfristig sichere Anwendung dieses Produktes. Bitte bewahre sie gut auf.

ES - Las recomendaciones para el uso continuado de este producto figuran en la 6ltima p6gina de estas Instrucciones. Por favor, cons6rvalas para futuras consultas.

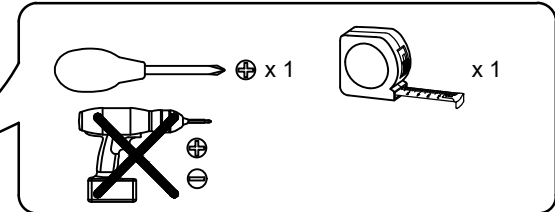




SAFETY DISCLAIMER

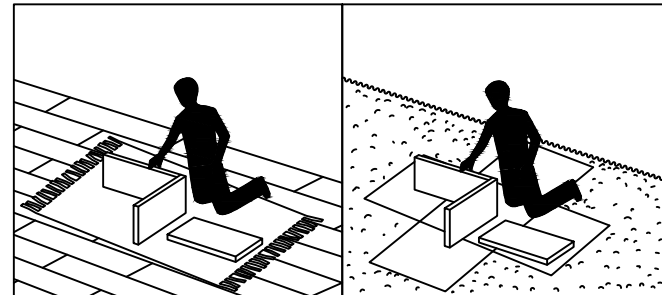
GB

- A safety strap / bracket is included with this item.
- Please ensure the strap / bracket is attached to the product and the wall to ensure it remains stable at all times during use.
- The unit must only be used on a level floor.



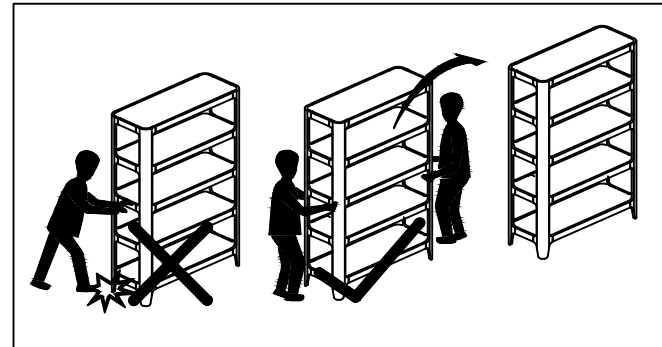
FR

- Une sangle / un support de sécurité est inclus dans cet article.
- Assurez-vous que la sangle / le support soit fixé au produit et au mur pour s'assurer qu'il reste stable en permanence pendant l'utilisation.
- Le produit doit être utilisé à hauteur de plancher.



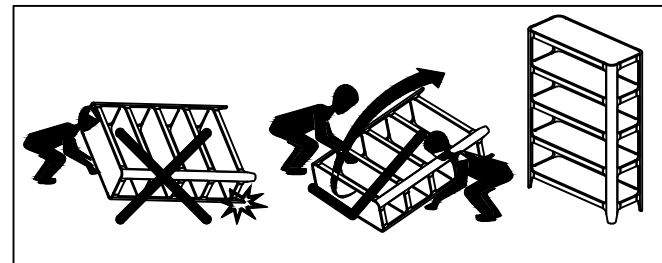
NL

- Dit product is inclusief veiligheids riempje / haakje.
- Zorg ervoor dat het riempje / haakje aan het product en de muur bevestigd wordt zodat het stabiel blijft bij gebruik.
- Dit meubel dient alleen op een even vloer gebruikt te worden.



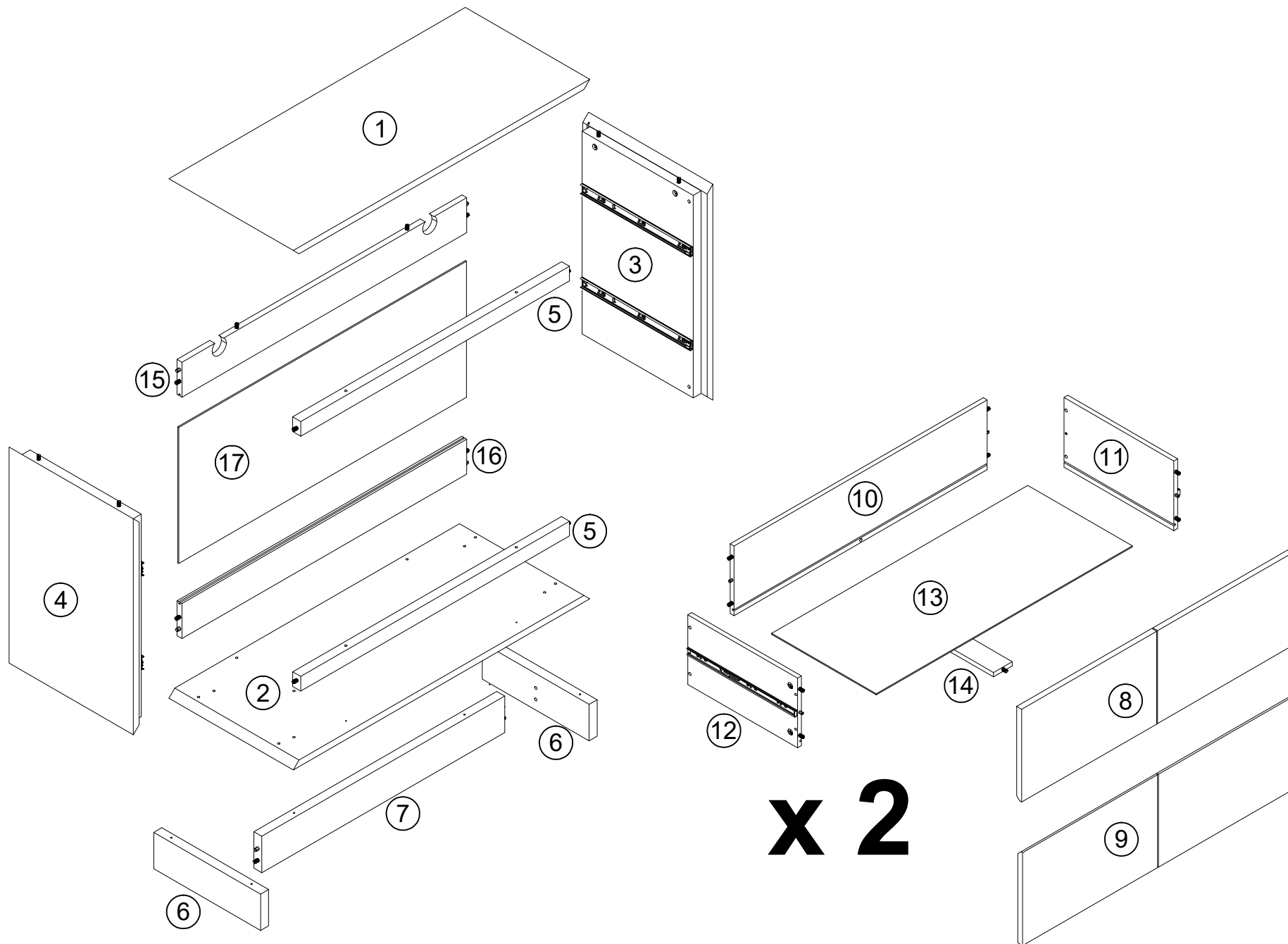
DE

- Dieses Produkt enthält einen Sicherheitsriemen mit Schlaufe.
- Der Riemen und die Schlaufe müssen am Produkt und der Wand befestigt werden, damit das Produkt immer stabil steht.
- Stellen Sie das Produkt nur auf einem ebenen Untergrund auf.



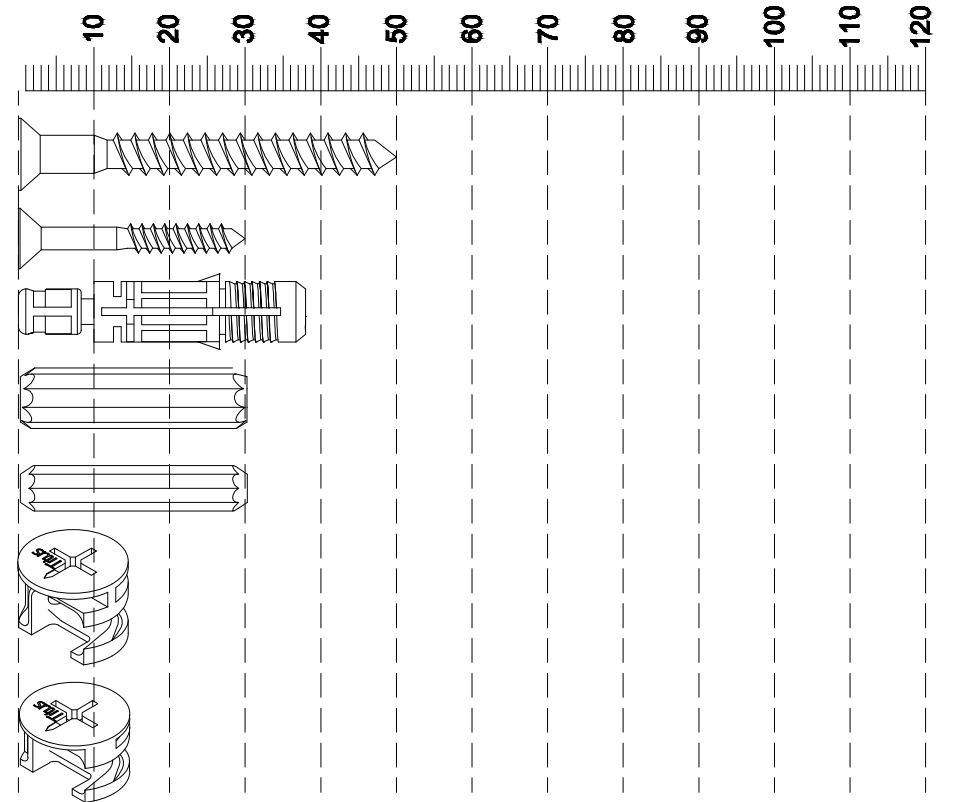
ES

- Incluye una cinta / soporte de seguridad.
- Asegúrate de que la cinta / soporte esté adherida al producto y a la pared para garantizar que permanezca estable en todo momento durante su uso.
- El producto solo debe usarse en un suelo nivelado.



Fixtures and Fittings Supplied

Ref	Dimensions	Qty.	Spare Qty.
a	05 x 50mm	16	2
b	04 x 30mm	8	1
c	08 x 38mm	N/A	2
d	08 x 30mm	N/A	1
d1	06 x 30mm	N/A	1
f	15 x 12mm	N/A	2
f1	15 x 9.5mm	N/A	2



Fixtures and Fittings Supplied (Not To Scale)

Ref	Qty.	Spare Qty.	Visual
n	4	N/A	
o	2	N/A	 4 x 14.5mm
u	4	N/A	 3 x 18mm

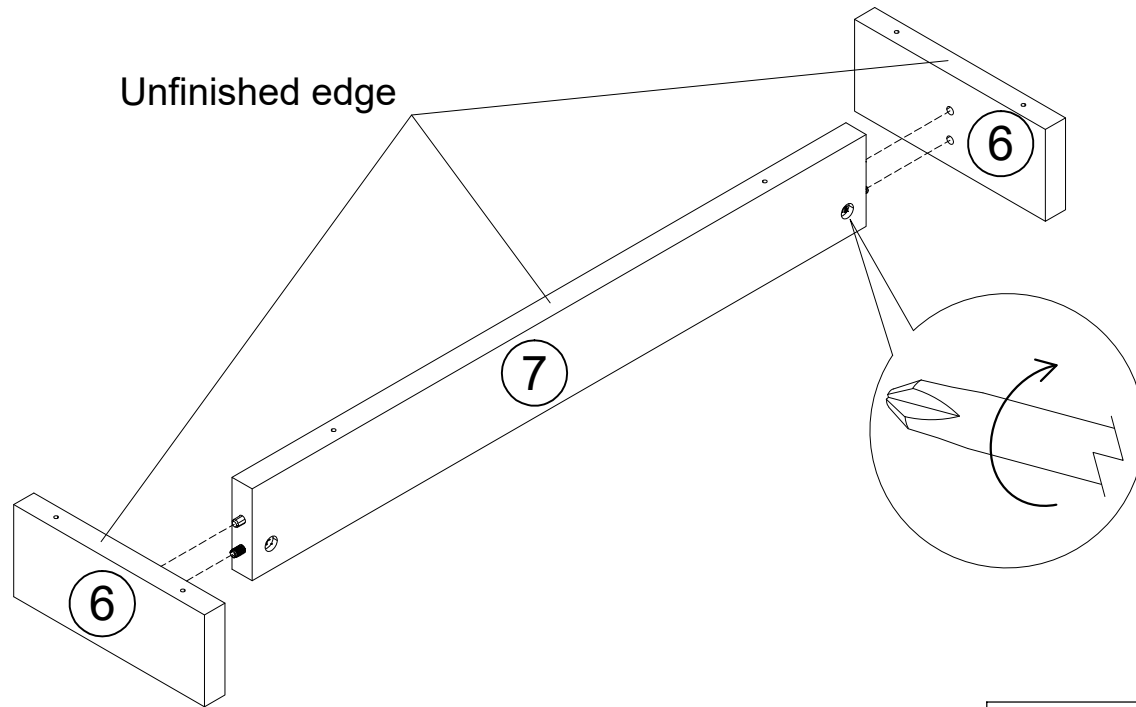
2x



01:30



1



WHEN TIGHTENING THE CAM
TURN THE CAM IN A CLOCKWISE DIRECTION UNTIL THE ARROW POINTS IN THE POSITIONS SHOWN IN THE DIAGRAMS BELOW

START MAXIMUM LOCK

The 'START' diagram shows a cross-section of the cam mechanism with a horizontal arrow pointing to the right. The 'MAXIMUM LOCK' diagram shows the same mechanism with a curved arrow indicating clockwise rotation and a horizontal arrow pointing to the left.

PUSH THE TWO PANELS TOGETHER ALLOWING THE DOWEL TO ALIGN WITH THE HOLE

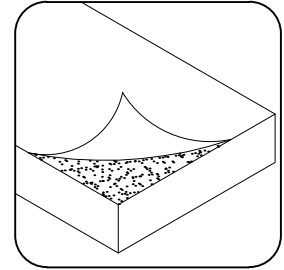
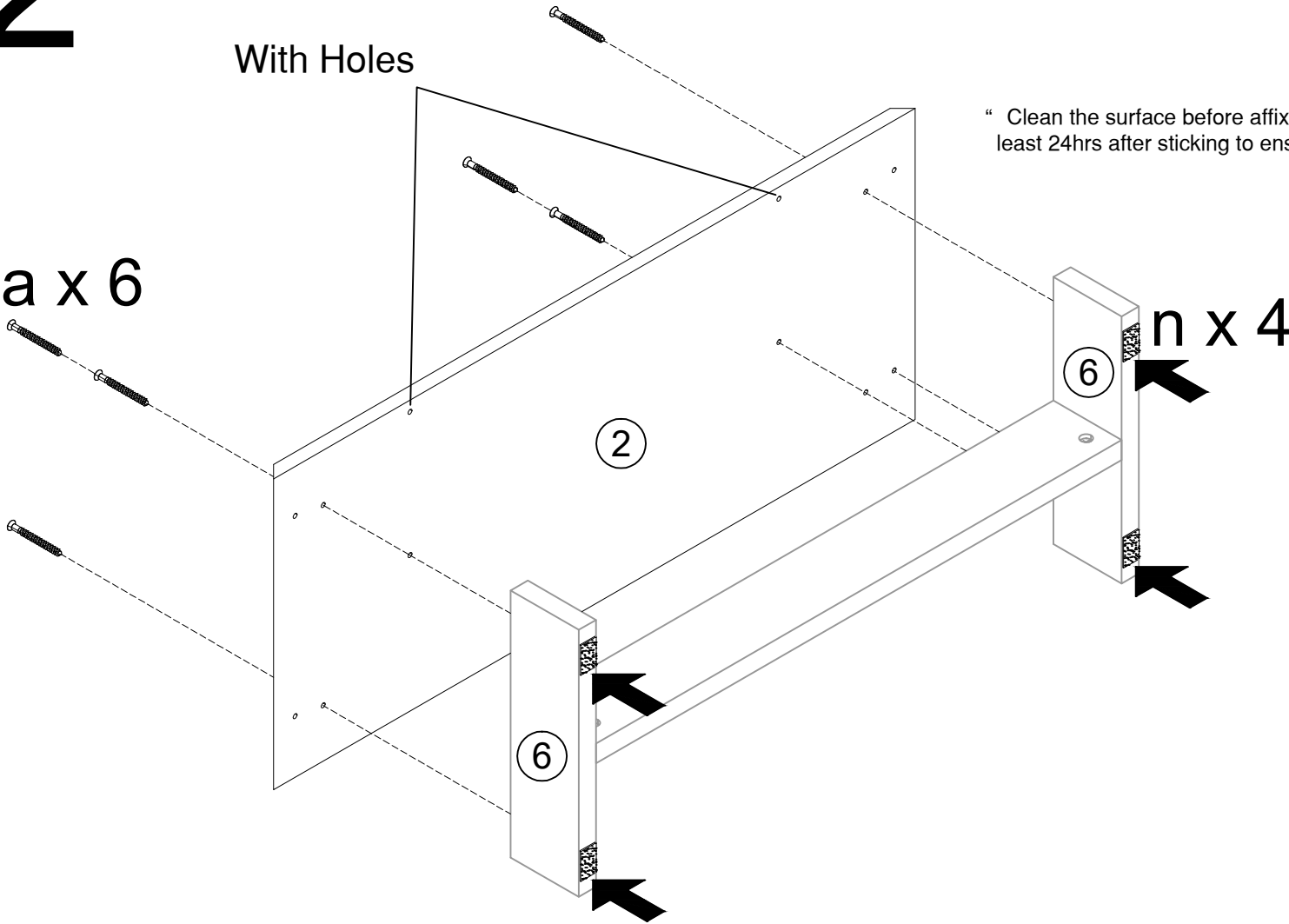
TURN THE CAM IN A CLOCKWISE DIRECTION

The first diagram shows two panels being pushed together, with a horizontal arrow pointing left towards a hole in the second panel. A dowel is shown protruding from the first panel towards this hole. The second diagram shows the cam mechanism being rotated clockwise, with a curved arrow indicating the direction of rotation.

2

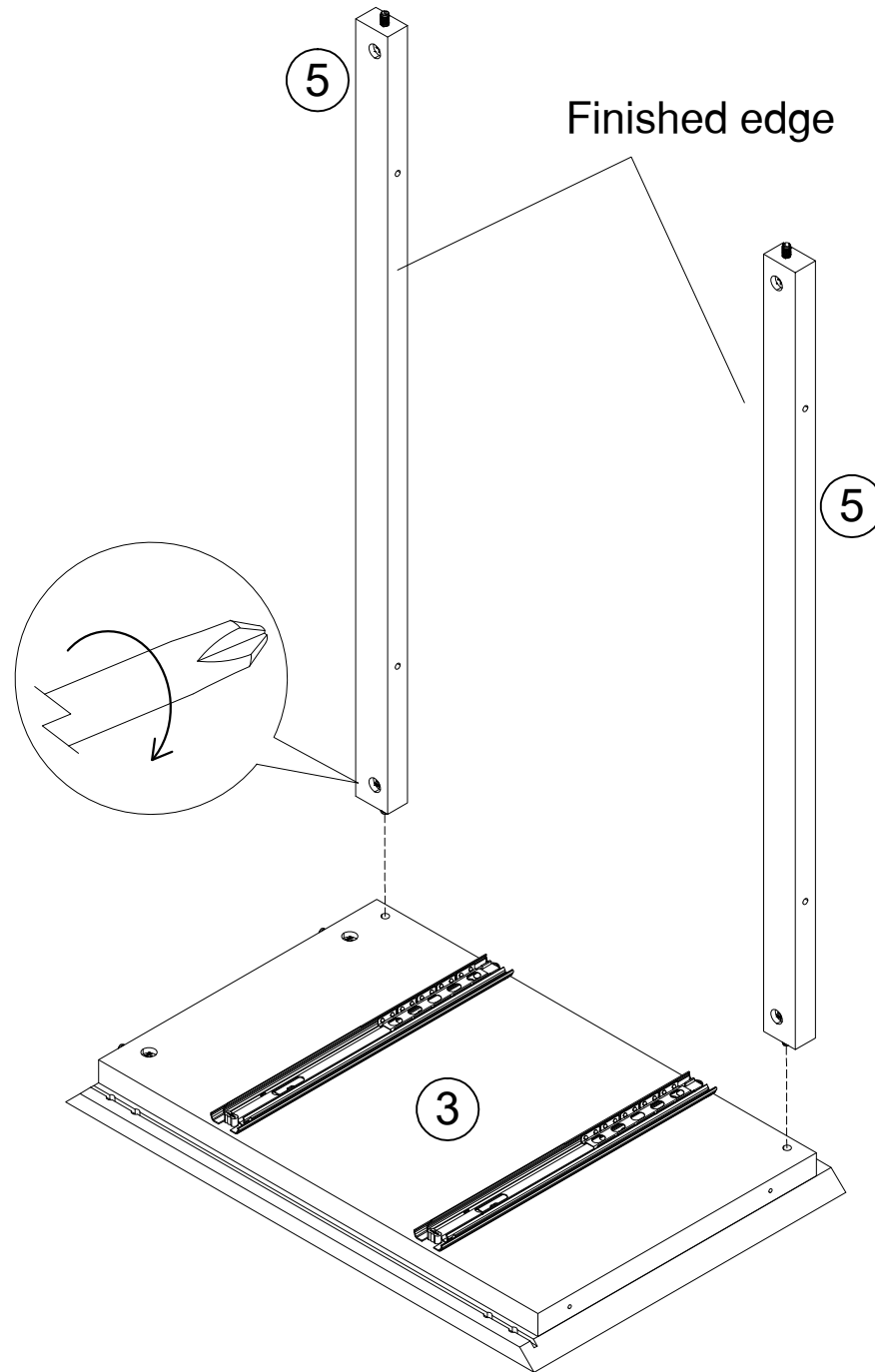
With Holes

a x 6

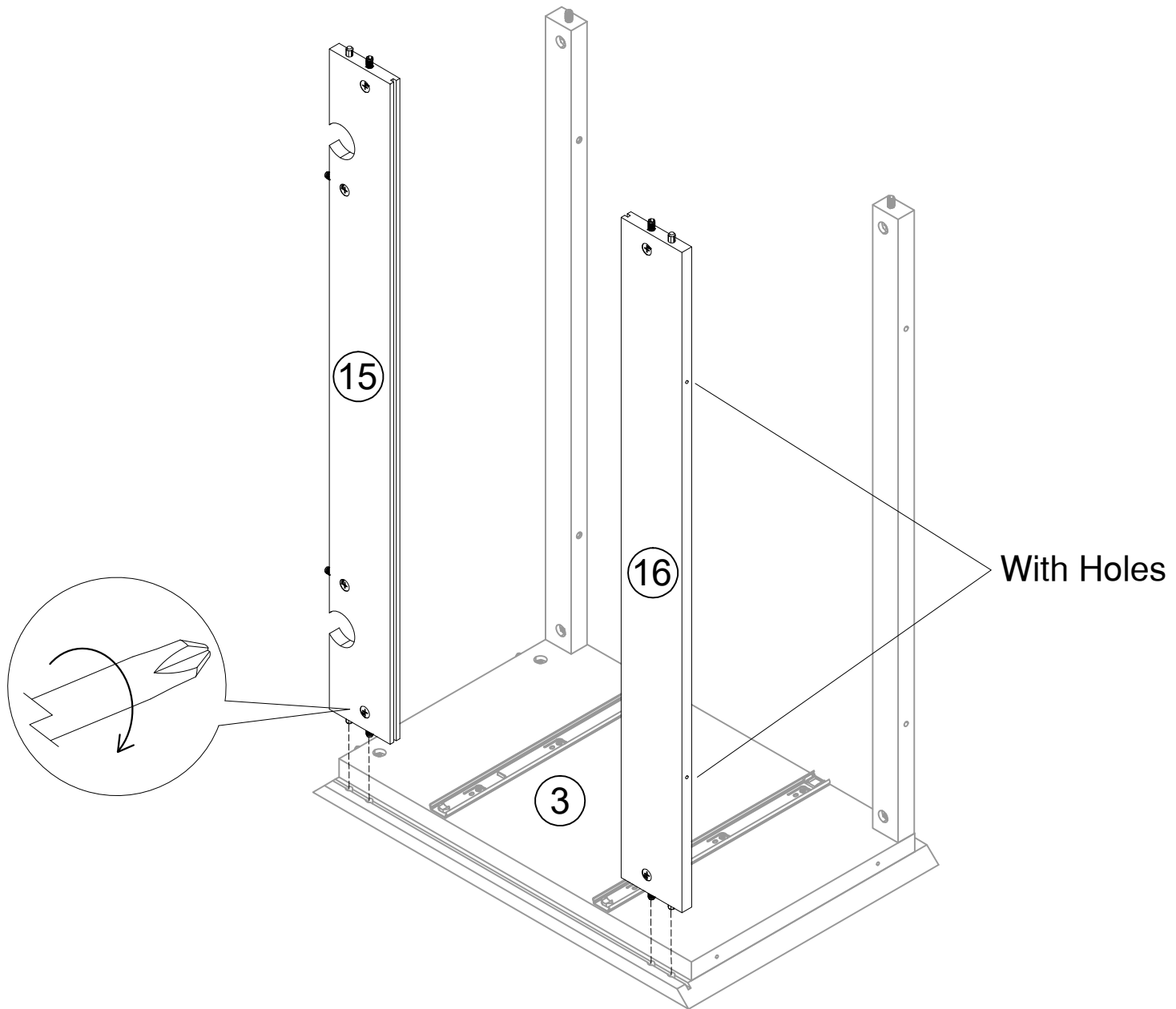


“ Clean the surface before affixing the pads, and also stand at least 24hrs after sticking to ensure good adhesion”

3

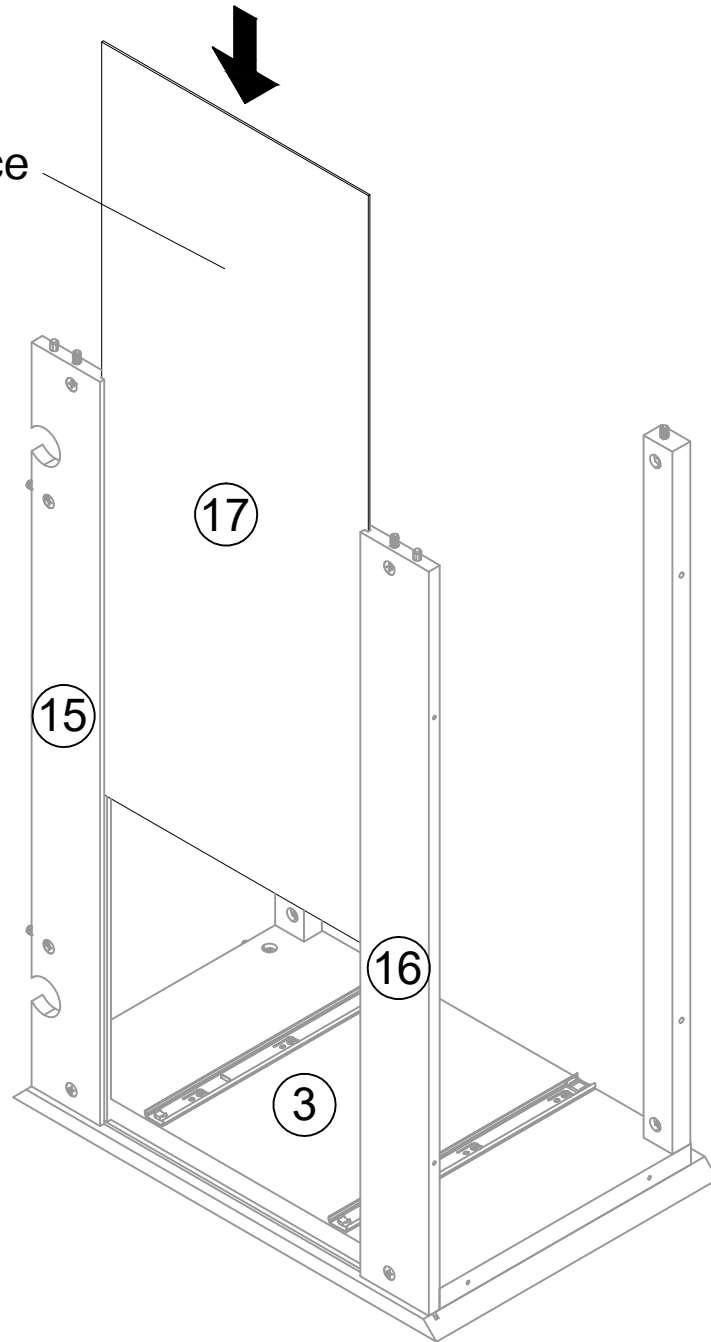


4

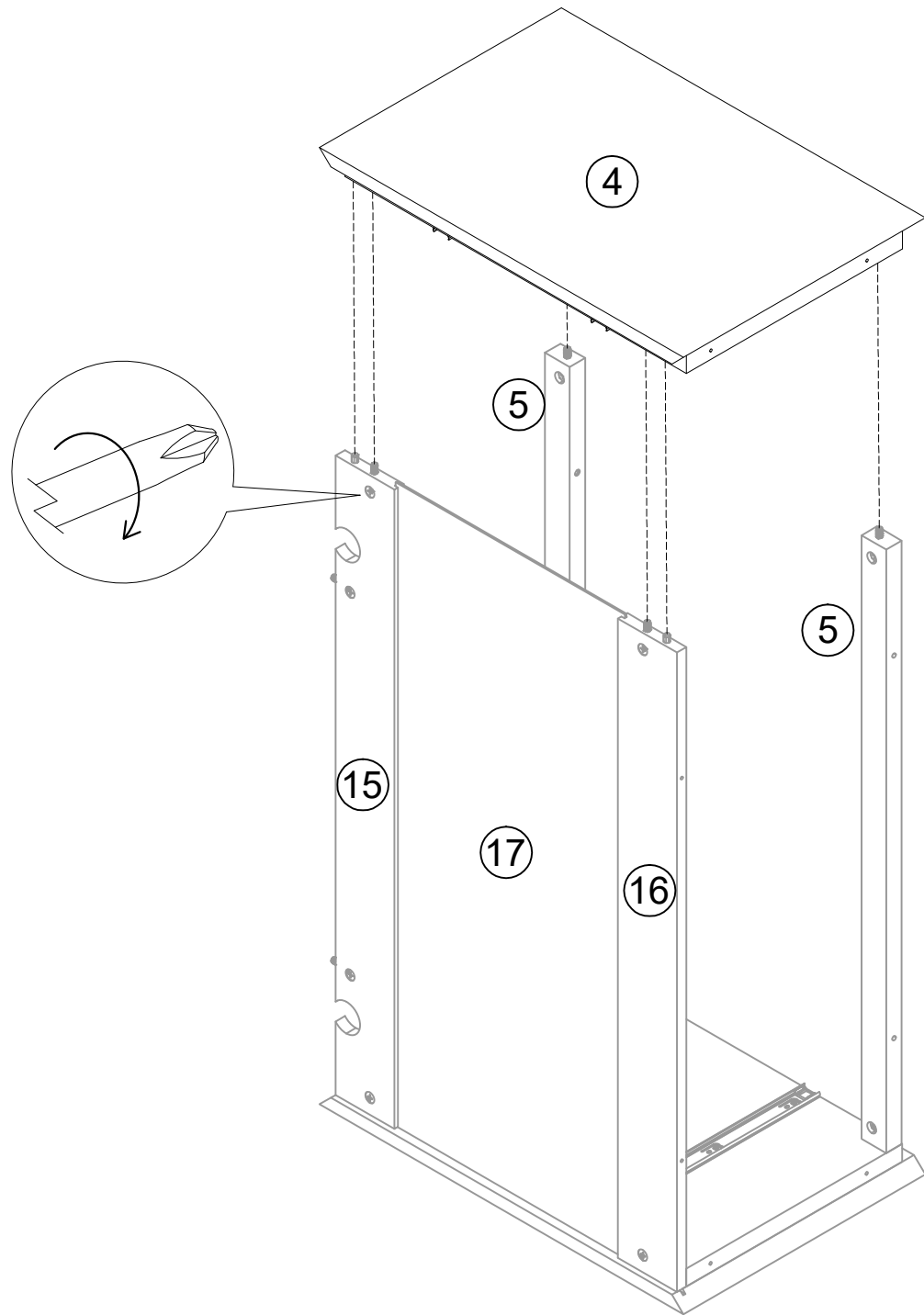


5

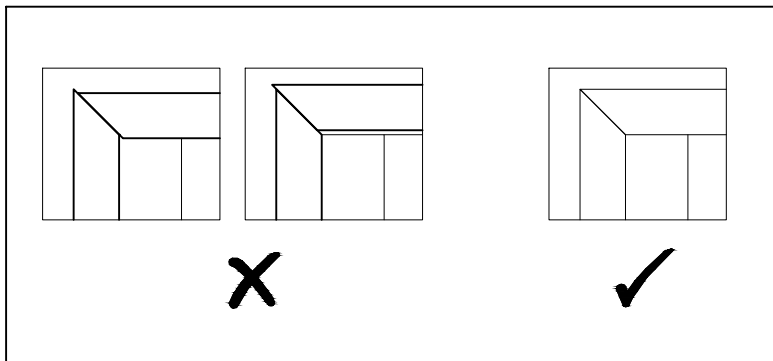
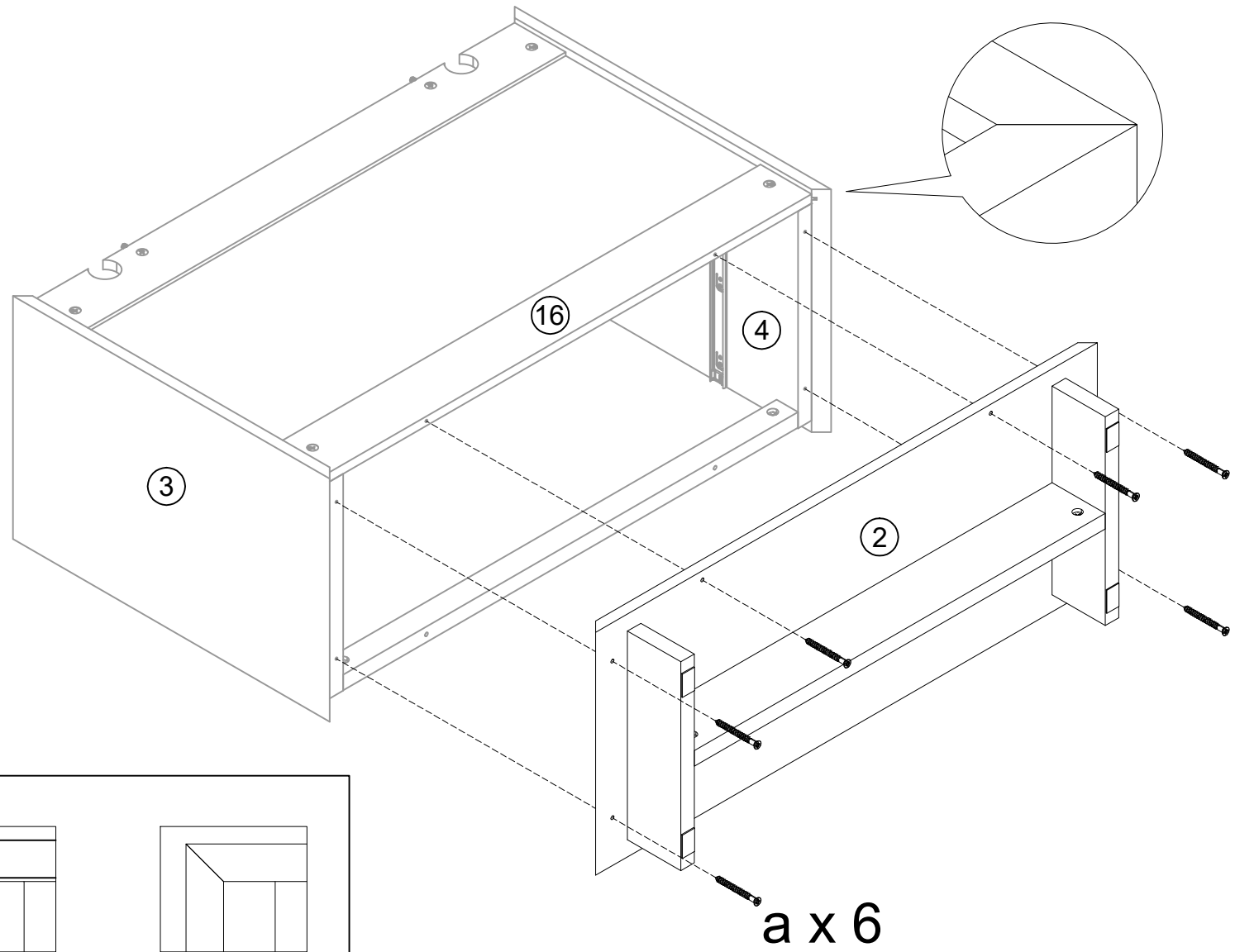
Finished surface



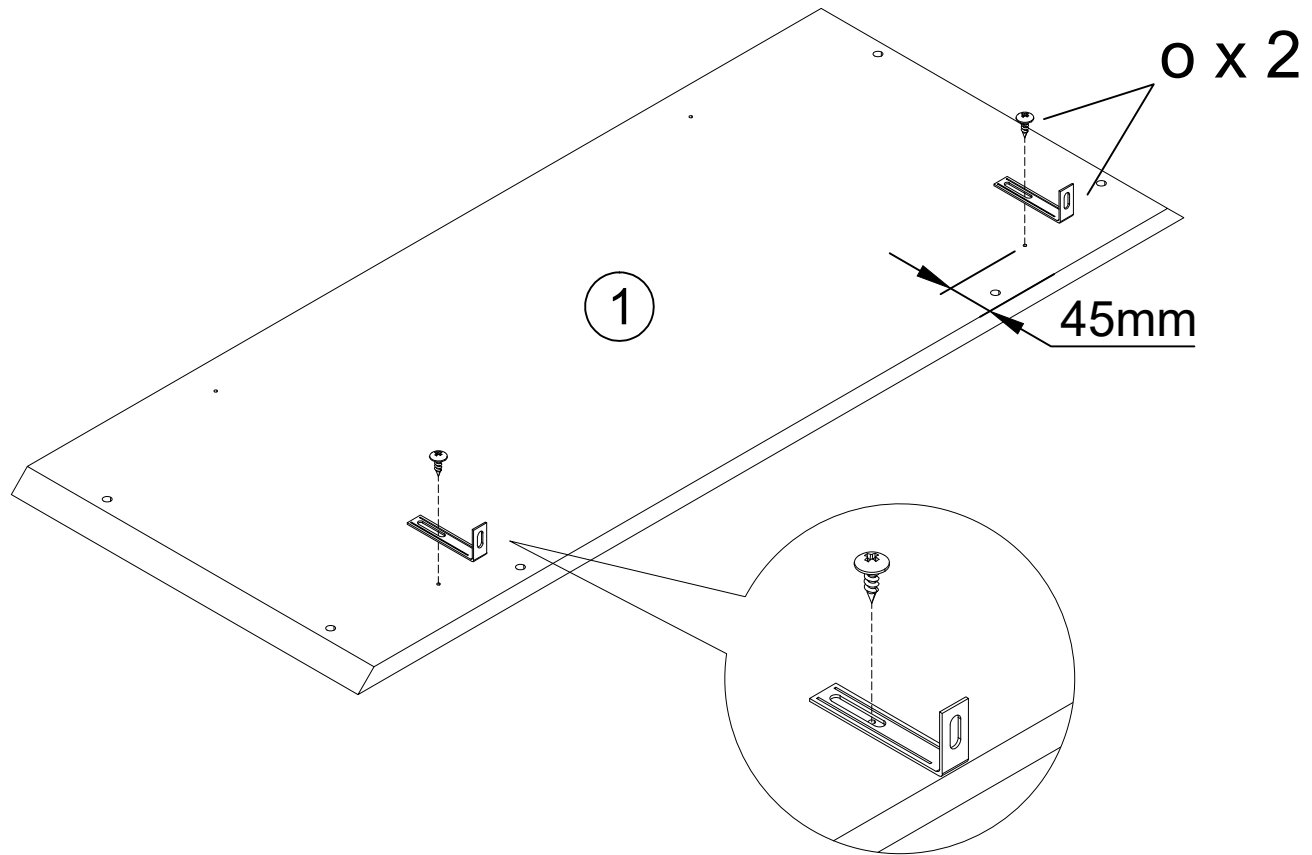
6



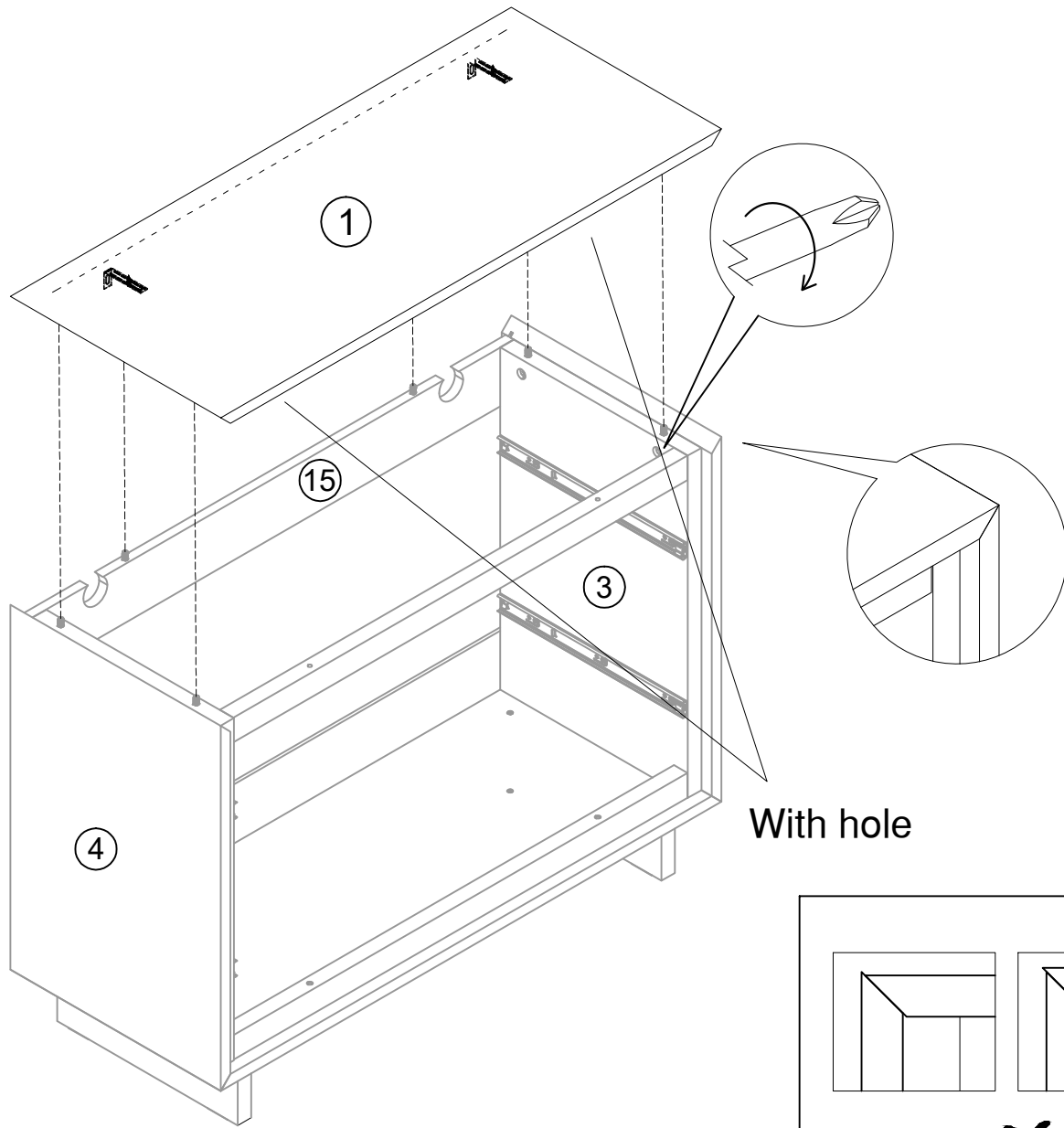
7



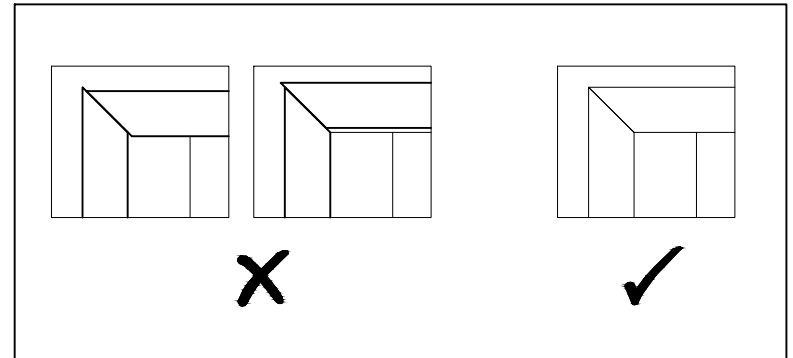
8



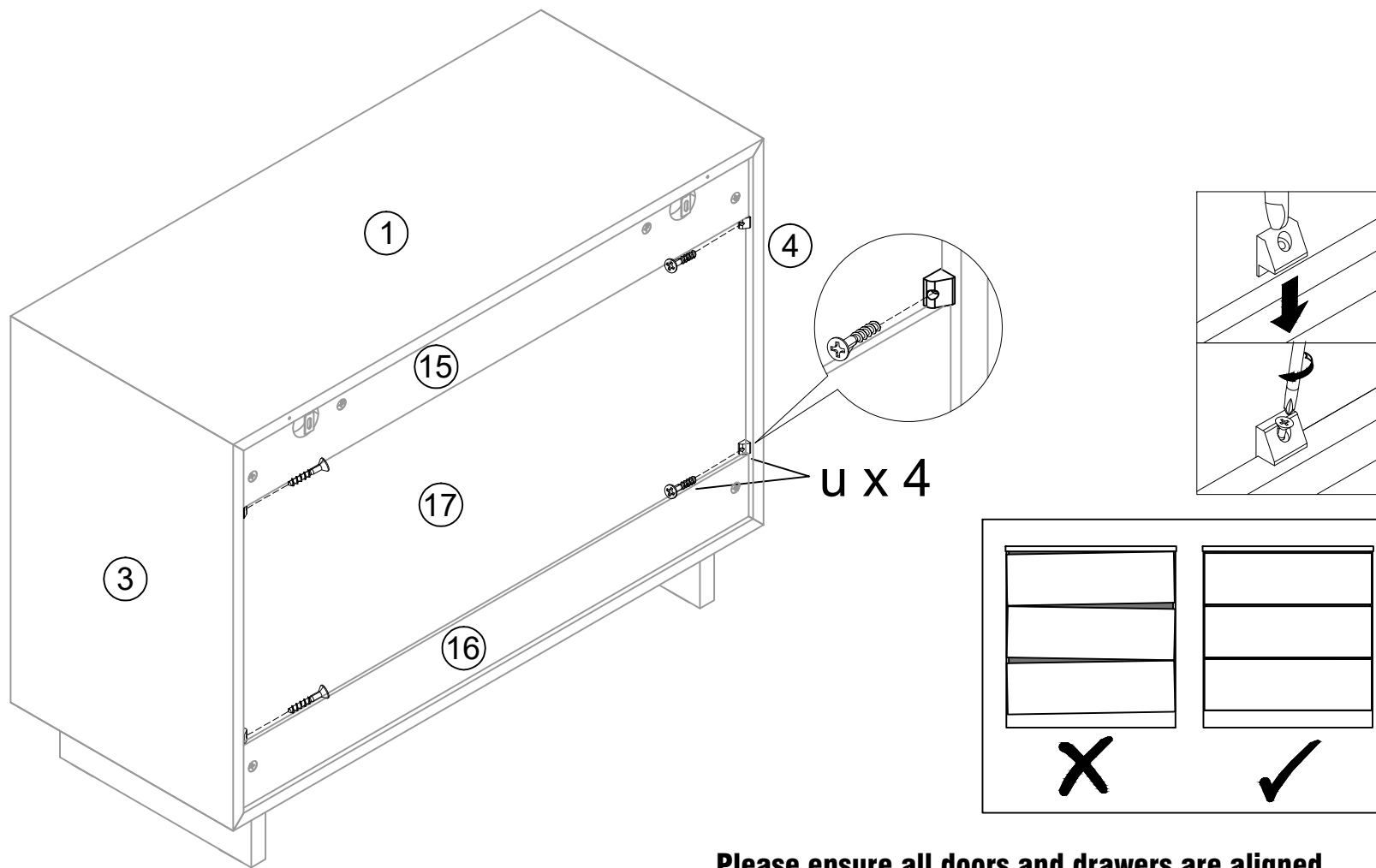
9



With hole



10

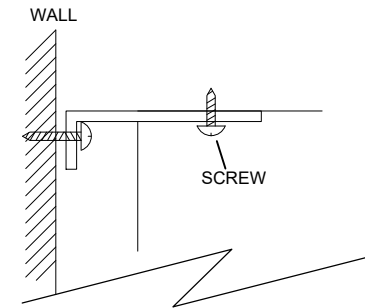
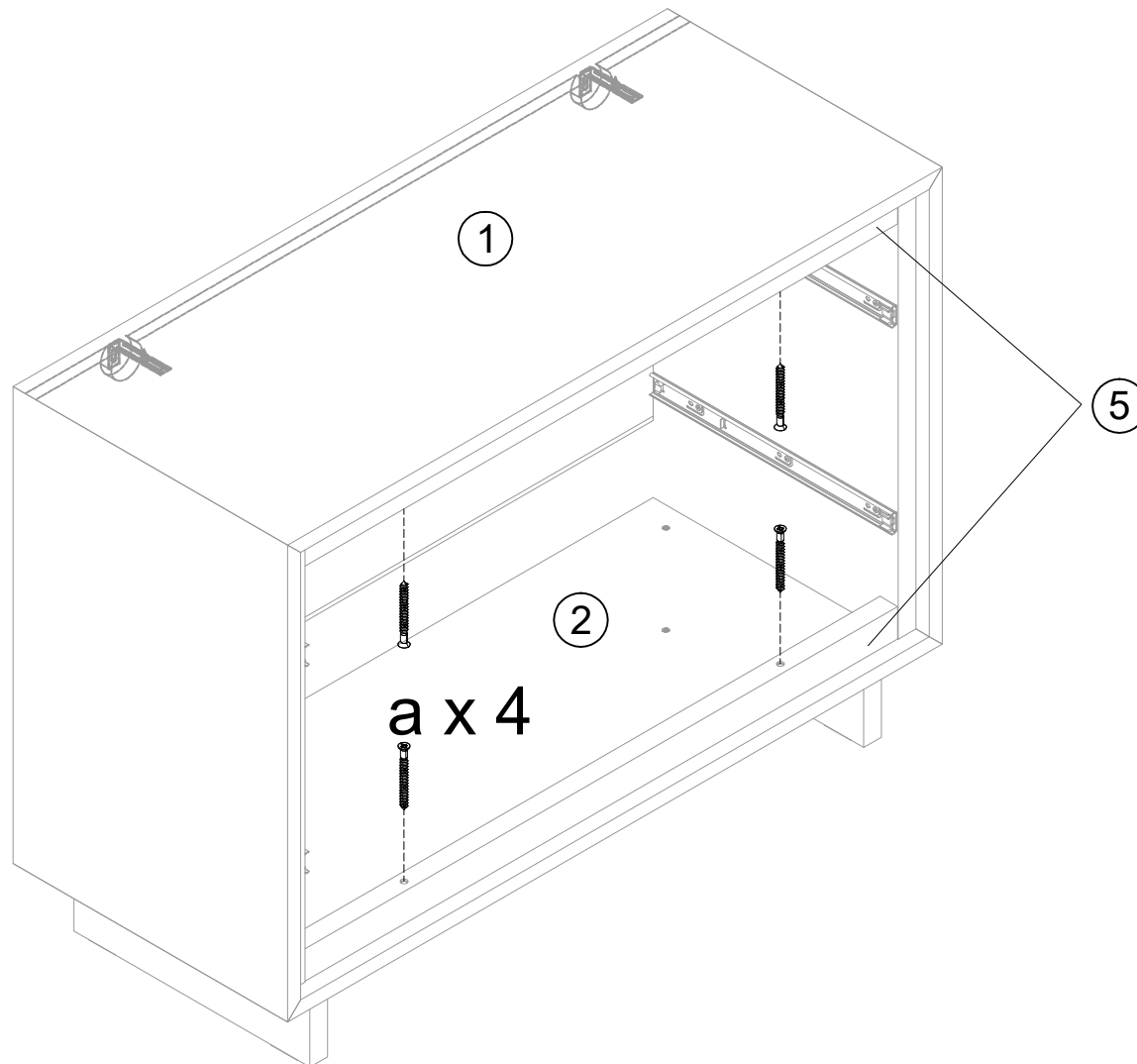


Please ensure all doors and drawers are aligned and evenly spaced before applying the back panel fixings.

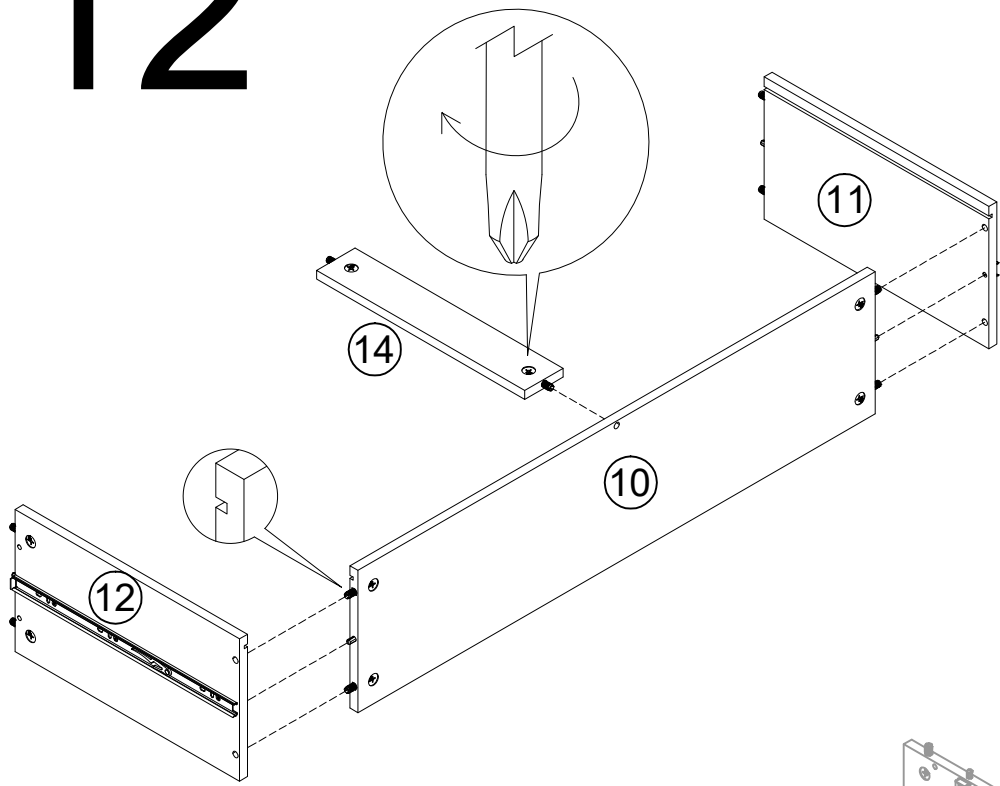
11

Warning: In order to prevent overturning this product must be used with the wall attachment device provided. Secure the other end of the strap to the wall with an appropriate screw and wall plug for your wall type (not provided).

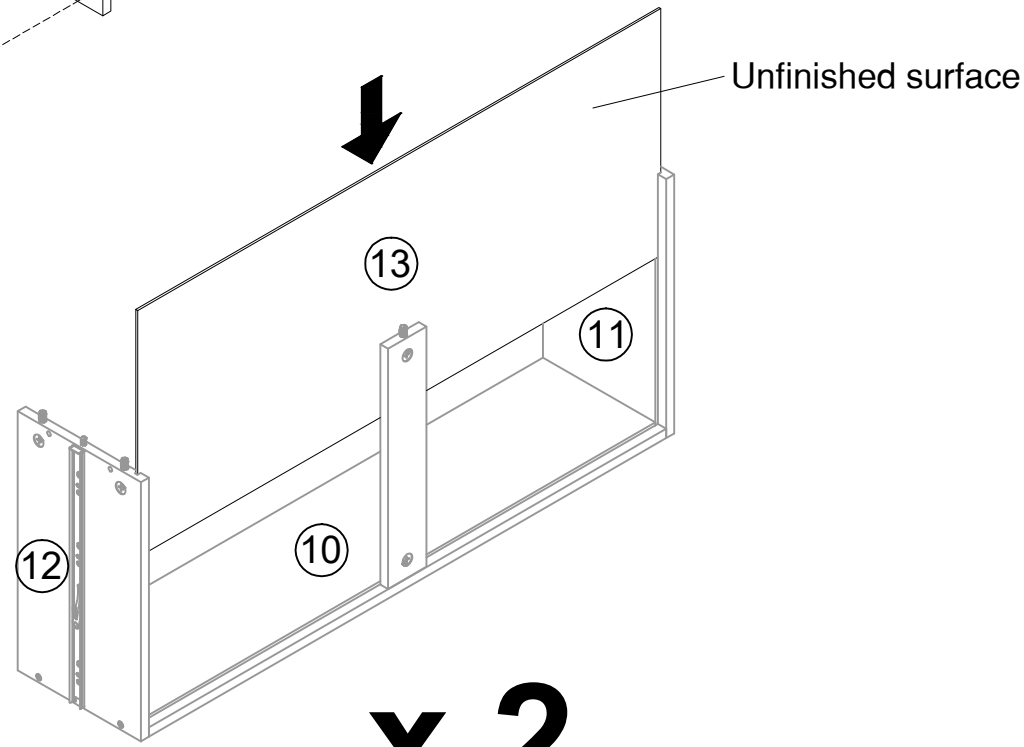
Warning: Always ensure intended wall area to be drilled is free from hidden electrical wire, water, and gas pipes , If in doubt please consult a qualified trades person.



12

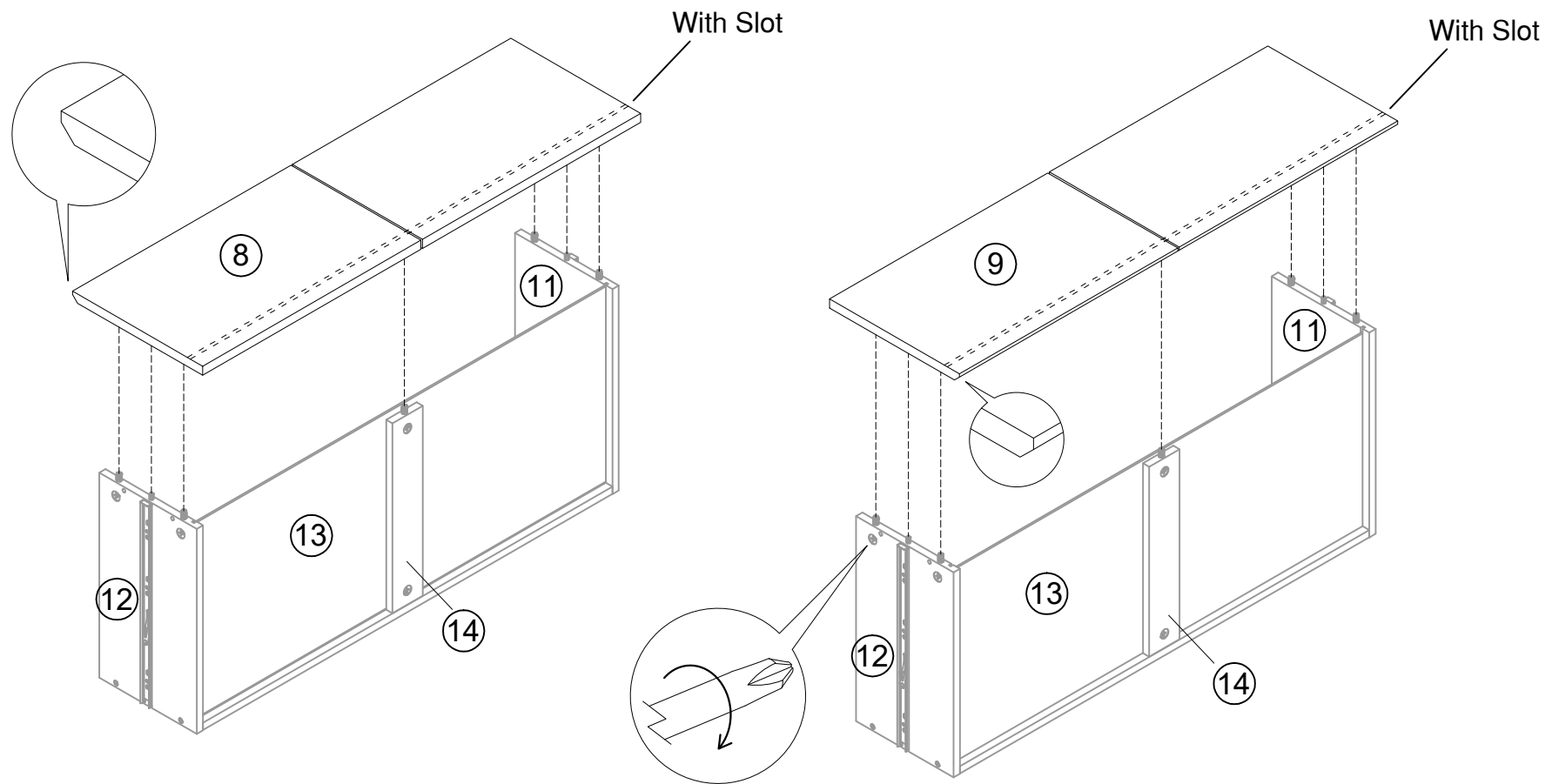


x 2

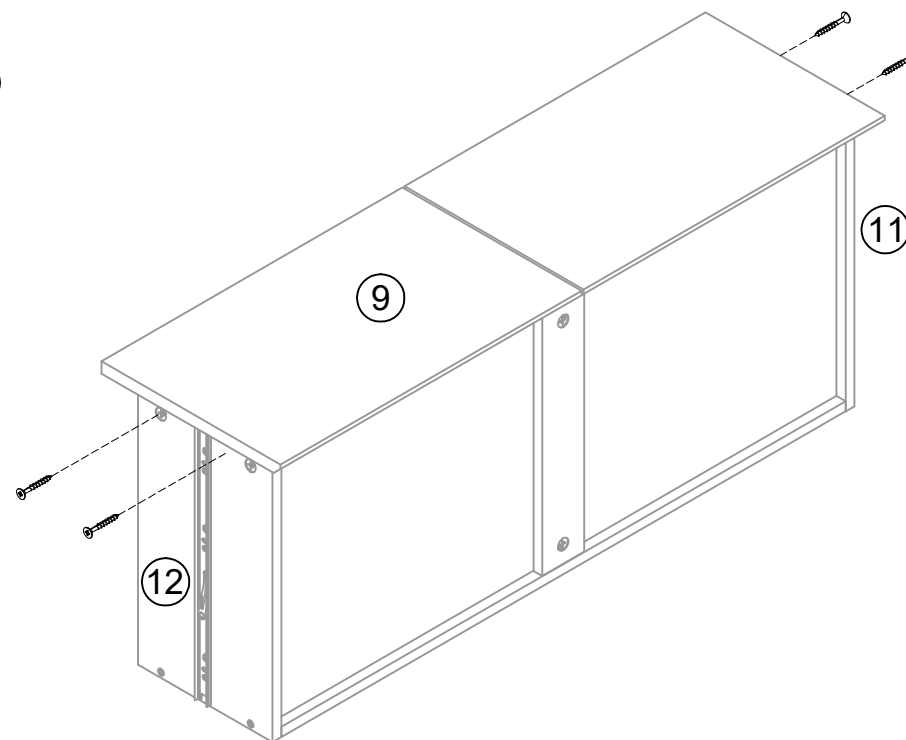
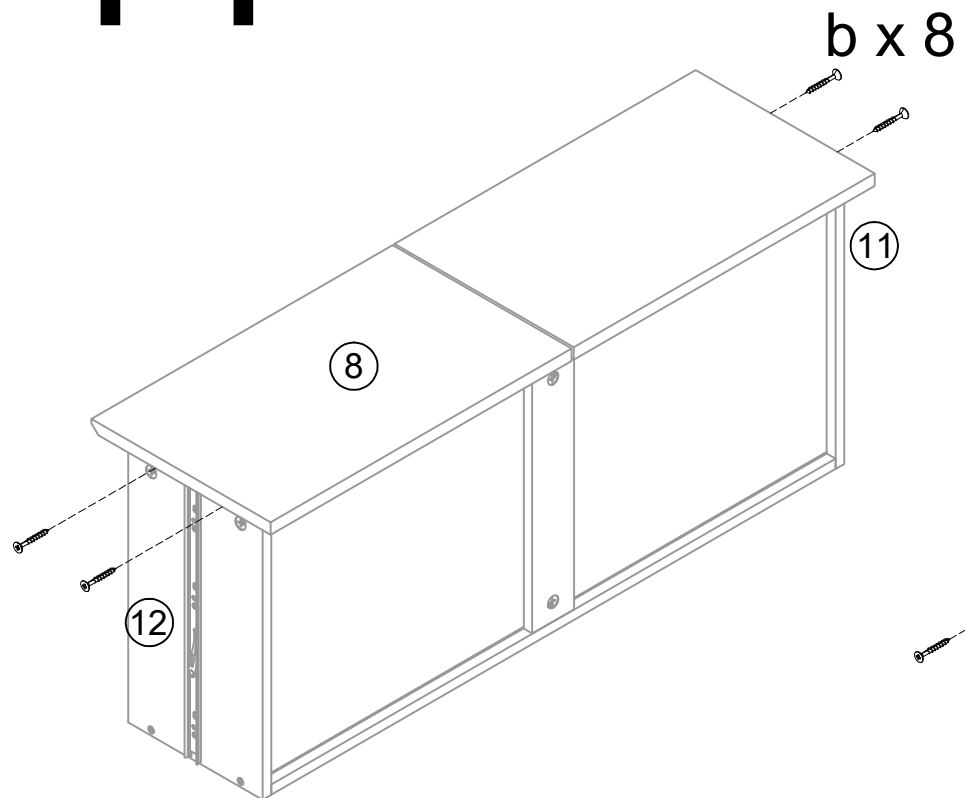


x 2

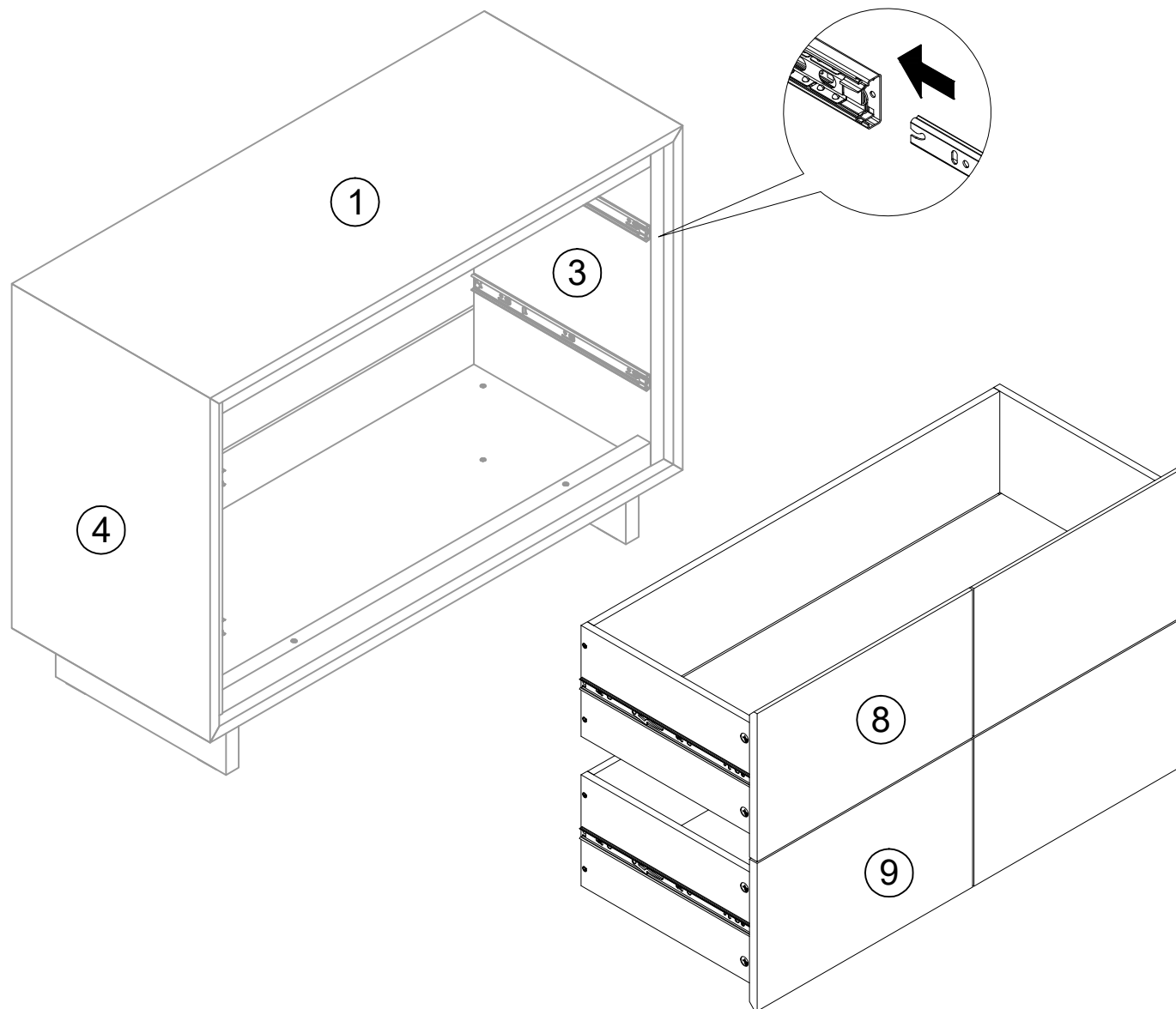
13



14



15



16



GB - Check regularly that all assembly fastenings are properly tightened and retighten when necessary

FR - Vérifiez régulièrement que toutes les fixations soient bien éserres et resserrez si nécessaire.

NL - Controleer regelmatig of alle bevestigingen goed zijn aangedraaid; draai ze indien nodig opnieuw aan.

DE - Regelmäßig kontrollieren, dass alle Beschläge und Verschraubungen gut festgezogen sind und sie bei Bedarf nachziehen.

ES - Comprueba regularmente que las fijaciones estén bien apretadas y vuelve a apretarlas en caso necesario.

