

NEXT

STOOL TOWEL HOLDER

W97850

Assembly instructions

Actual product size

H85 x D31 x W49cm



IMPORTANT – RETAIN FOR FUTURE REFERENCE

Need Help?

With: Assembly instructions
Missing or damaged parts

CALL: 0333 777 8999

STOOL TOWEL HOLDER

W97850

Assembly instructions

BEFORE YOU START

Number of people required to assemble

Two people are required to assemble this item

Time to assemble: 30 minutes



Do's

We suggest you spend a short time reading through this leaflet before you start. When you are ready to start, make sure that you have the right tools and plenty of space. Unwrap all packaging materials and place the components on a clean surface to protect it from damage. We recommend that the packaging is used to protect the surfaces during assembly. Carefully check that you have all the parts before beginning assembly. Due to the size of the product we recommend that it is assembled in the room intended for use. Ensure the product is fully assembled as illustrated and all fixings fully tightened before use. Check fixings regularly to ensure they remain tight. Wood will mellow and change colour over time, we recommend that ornaments and items placed on the surface are moved regularly for the first few months to prevent uneven mellowing.

Don'ts

When moving furniture never drag the pieces across the floor, as this will cause damage to the joints. Apply Adhesive substrates for example, sticky tape to the product. Do not use silicone based furniture polish. Silicone in furniture polishes can break down the lacquer finish.

Missing parts

If you are missing any fixtures and fittings for your product please contact our customer service team on 0333 777 8999 and they will be happy to arrange for a replacement to be sent to you free of charge.

Warnings

We suggest you retain these instructions for future reference. Keep fittings out of children's reach and keep children well away from construction area. This product should only be used on firm, level ground. Please periodically check all fittings and re-tighten as necessary. Please do not sit or stand on your table. Avoid exposing the furniture to excessive heat or direct sunlight as this can cause cracking of the wood and deterioration of the colour. Unwrap all packaging materials and place the components on top of the carton box or on a clean floor to protect it from damage.

Home service technicians

If you have a fault with your product please contact our customer service team on 0333 777 8999. If you have had the product for 28 days or less you may be offered a replacement, refund or for a fully trained home service technician to visit your home to assess the fault and repair the product where possible. If you have had the product for more than 28 days we will send an independent home service technician to review and repair the product where possible and recommend further action.

You can write to us at

Home Customer Services
Next Retail Ltd,
Desford Road,
Leicester,
LE19 4AT

To View our full furniture range please visit
www.next.co.uk

Need Help?

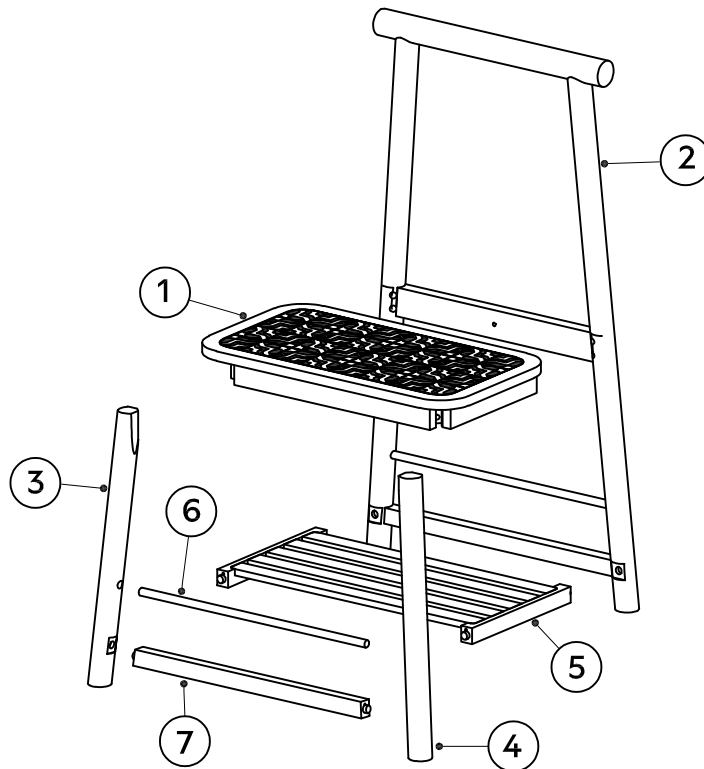
With: Assembly instructions
Missing or damaged parts

CALL: 0333 777 8999


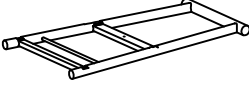


STOOL TOWEL HOLDER W97850

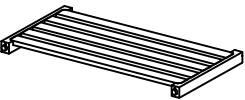
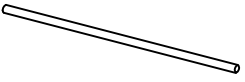
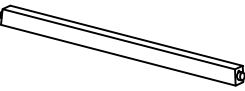
Assembly instructions

GETTING TO KNOW YOUR PRODUCT



Components supplied. Please use this guide if you require replacement parts.

Ref	Dimensions	Visual	Qty	Ctn
1	47.5 x 27cm		1	
2	49 x 85cm		1	
3	3.5 x 43cm		1	
4	3.5 x 43cm		1	

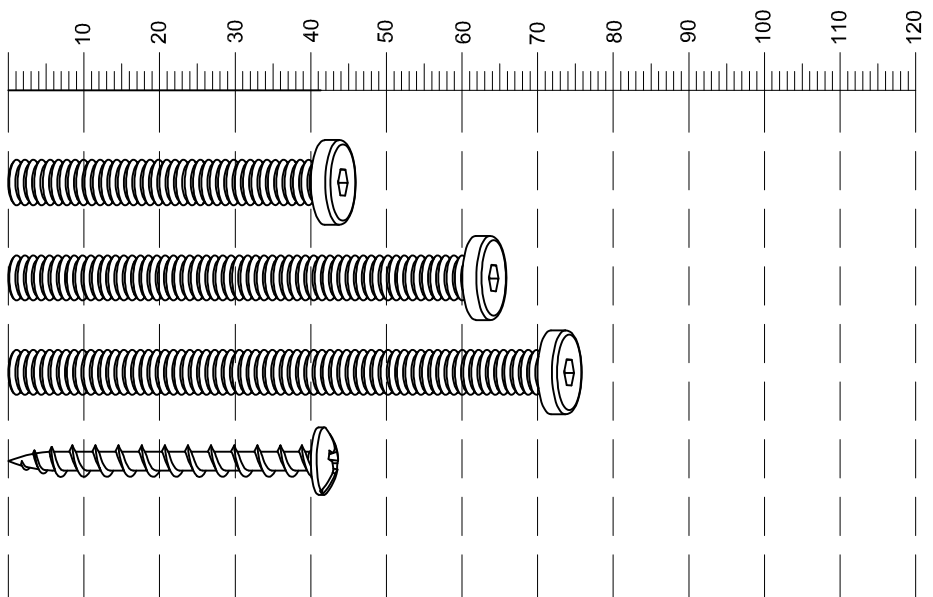
Ref	Dimensions	Visual	Qty	Ctn
5	46.6 x 25.5cm		1	
6	41.3 x 1.3cm		1	
7	42.8 x 2.5cm		1	




STOOL TOWEL HOLDER

W97850

Assembly instructions

Fixtures and fittings supplied (actual size)		
Ref	Dimensions	Qty
AA	6 x 40mm	1
AB	6 x 60mm	4
AC	6 x 70mm	4
AD	4 x 40mm	6

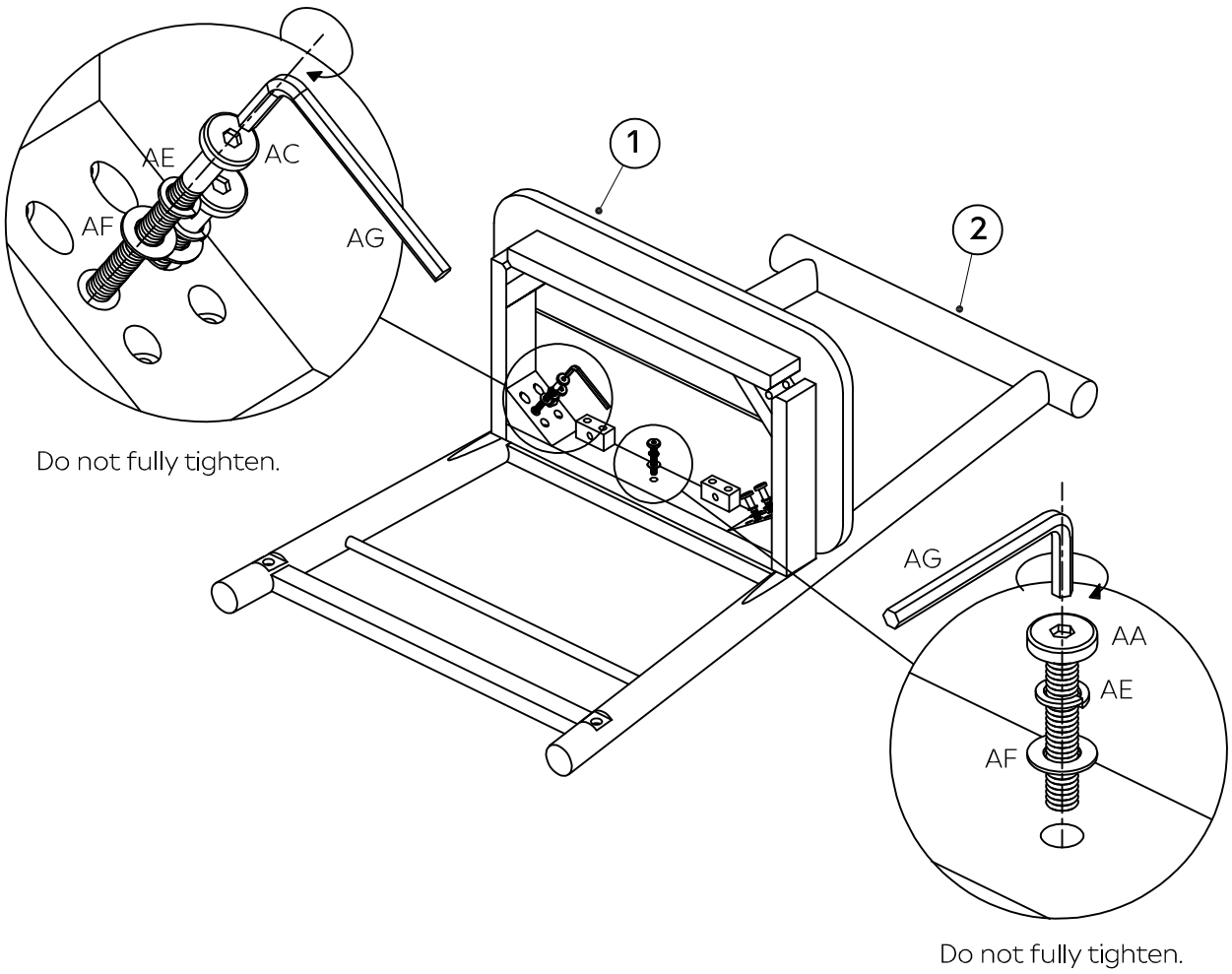







Fixtures and fittings supplied (not to scale)			
Ref	Qty	Spare Qty	Visual
AE	9	N/A	
AF	9	N/A	
AG	1	N/A	

STOOL TOWEL HOLDER W97850

Assembly instructions

1.

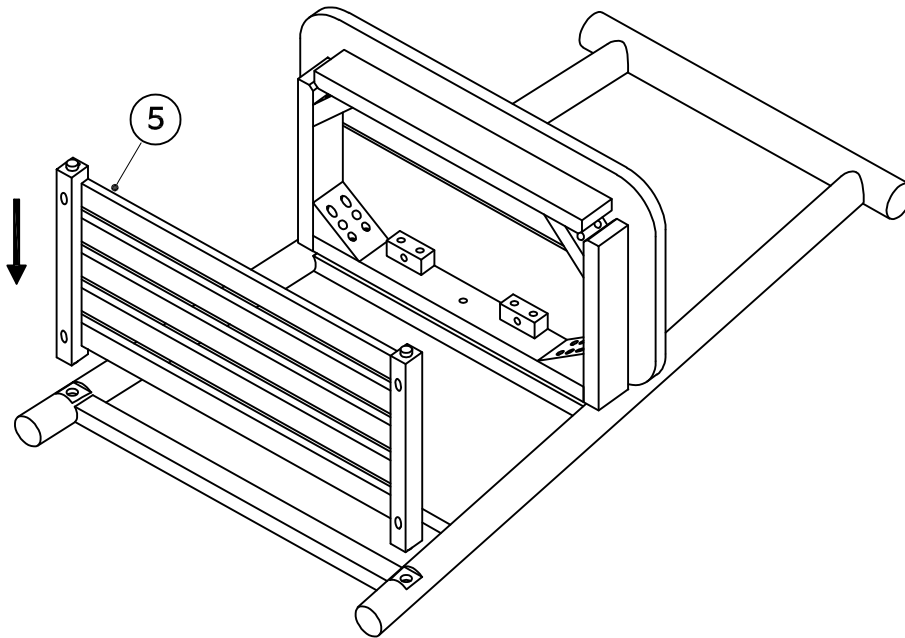


AA	6 x 40mm	1		AC	6 x 70mm	4	
AE	N/A	5		AF	N/A	5	
AG	N/A	1					

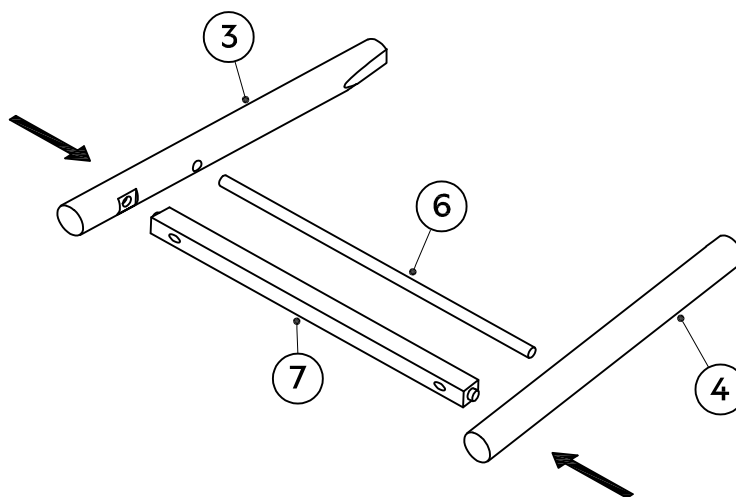
STOOL TOWEL HOLDER W97850

Assembly instructions

2.



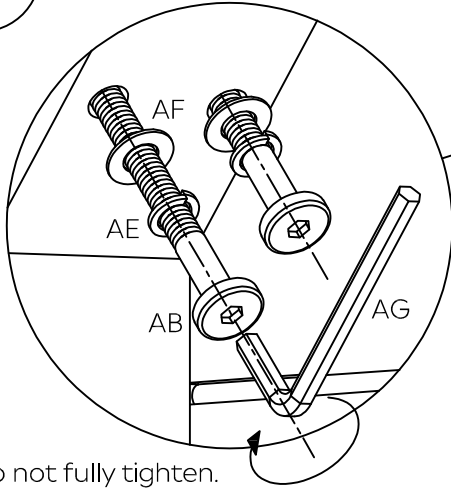
3.



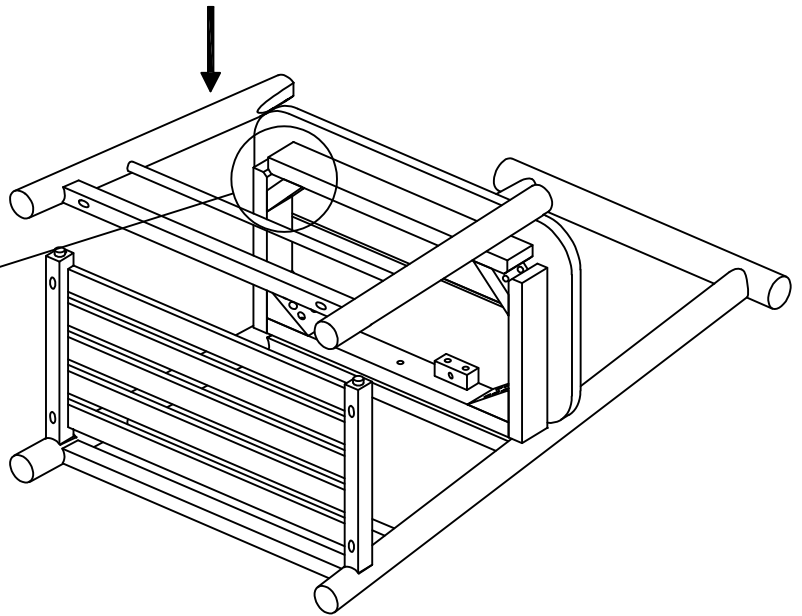
STOOL TOWEL HOLDER W97850





Assembly instructions

4.

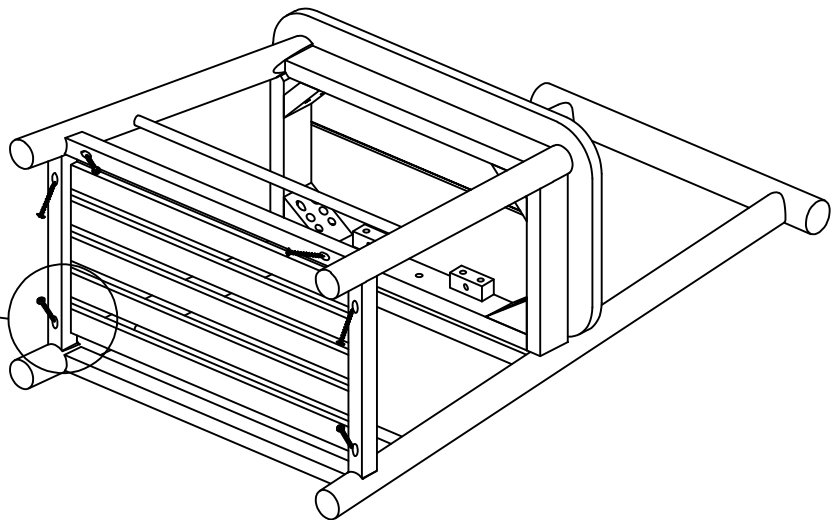
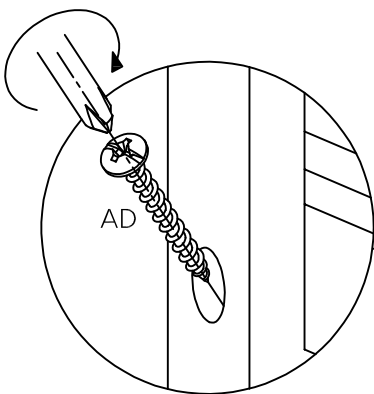


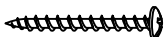
Do not fully tighten.



AB	6 x 60mm	4		AE	N/A	4	
AF	N/A	4		AG	N/A	1	

5.



AD	4 x 40mm	6	
----	----------	---	---

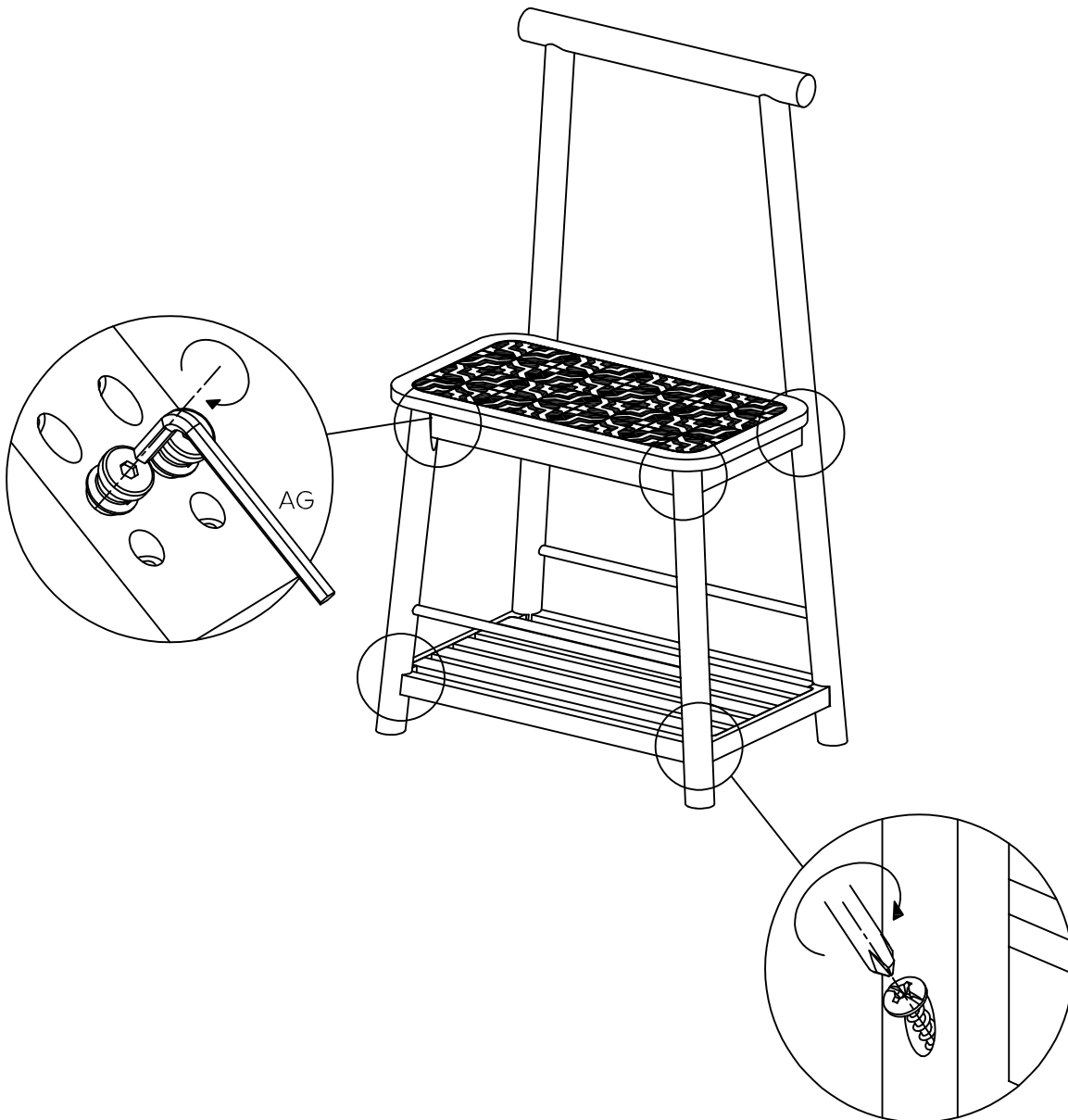
STOOL TOWEL HOLDER

W97850

Assembly instructions

6.

Note:
Put the product on a flat surface.
Tighten all the screws.



NEXT

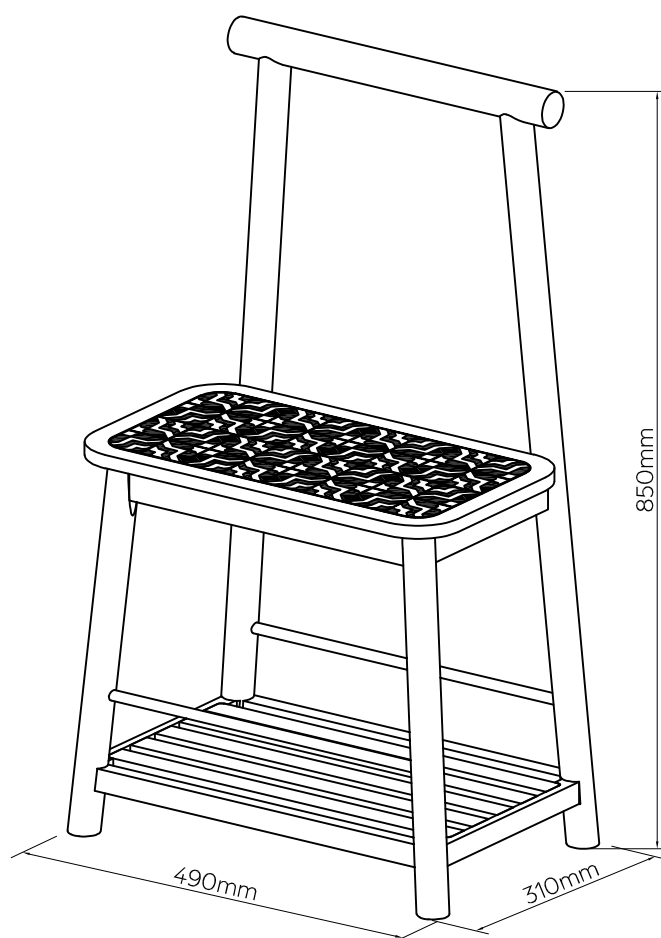
STOOL TOWEL HOLDER

W97850

Assembly instructions

Actual product size

H85 x D31 x W49cm



 **Warnings!**

Maximum load 100kgs.
Do not stand on product.