

BEFORE YOU GET STARTED...

We're confident you'll love your gorgeous new Next furniture. However, it's worth making absolutely certain before you put it all together.

So, let's quickly run through these three steps:

1. COLOUR

Make sure you're happy with the colour
No need to unpack everything, just check the first component.

2. PROTECTIVE PACKAGING

If you're happy, then it's time to get opening! Start by laying everything out on the protective packaging – this will prevent anything getting scratched.

3. PARTS PAGE

Finally, double check you have all the pieces by referencing the parts page of the instructions.

TIPS FOR RETURNS

Not completely happy with the product? No problem. We just need everything back in the original packaging, so follow the steps below and this will ensure a super-smooth returns process and no delay to your refund.

DO



- Check everything is there (the 'parts page' is a handy checklist).
- Pop all the loose fittings and fixtures into the packaging provided or tie them up in a plastic bag.
- Wrap all the big components back up in the original protective packaging.
- Close up the box and seal it securely (don't be afraid to use plenty of tape).

DON'T



- Leave anything assembled - all components should be dismantled and separately packed.
- Put loose fixtures and fittings straight into the box.
- Throw it back in the box carelessly – as it may get damaged.

NEXT

Then just give us a call on 0333 777 8999 and we'll sort out a pick up time for you.

NEXT

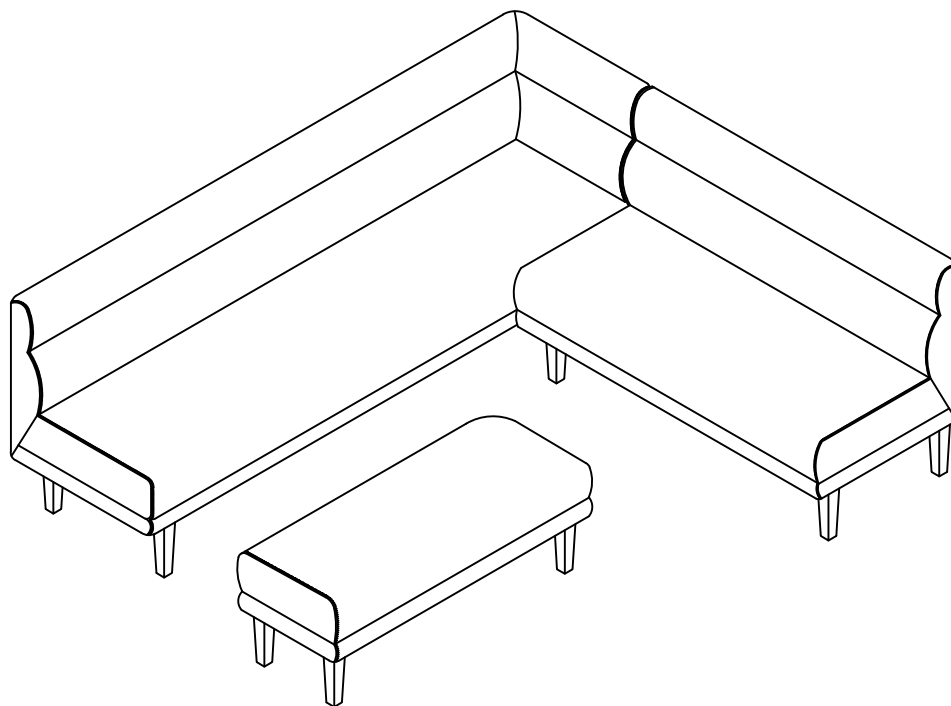
6 SEAT CORNER BENCH

Y05024

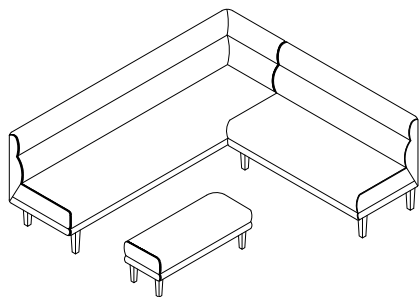
Assembly instructions

Actual product size:
H87 x W175 x D176cm

6 SEAT CORNER BENCH



SET ITEM:Y05024



Need Help?

With: Assembly instructions
Missing or damaged parts

CALL: 0333 777 8999

IMPORTANT – RETAIN FOR FUTURE REFERENCE

BEFORE YOU START

Warnings

We suggest you retain these instructions for future reference

Keep fittings out of children's reach and keep children well away from construction area

This product should only be used on firm level ground

Please periodically check all fittings and re-tighten as necessary.

Please do not stand on your furniture.

Avoid exposing the furniture to excessive heat or direct sunlight as this can cause cracking of the wood and deterioration of the colour

Unwrap all packaging materials and place the components on top of the carton box or on a clean floor to protect it from damage

Do's

We suggest you spend a short time reading through this leaflet before you start

When you are ready to start, make sure that you have the right tools and plenty of space

We recommend that the packaging is used to protect the surfaces during assembly

Carefully check that you have all the parts before beginning assembly

Ensure the product is fully assembled as illustrated and all fixings fully tightened before use. Check fixings regularly to ensure they remain tight

Always wipe dry after cleaning

For wooden or metal Chairs, please add the following

To clean your item, please use a soft cloth slightly dampened with water and wipe clean. Then buff with a dry clean cloth

For upholstered leather bench;

Dust regularly with a soft cloth, preferably once a week, to keep the leather pores free from dust particles and follow standard cleaning method mentioned above.

Don'ts

Do not use this product if parts are missing, damaged or worn.

Do not stand or lean back on your bench

Do not overtighten screws or bolts.

Do not drag or pull your furniture.

Do not use silicone based furniture polish.

Number of people required to assemble

Two persons are required to assemble this item.



Time to assemble: 30 minutes



Missing parts

If you are missing any fixtures and fittings for your product please contact our customer service team on 0333 777 8999 and they will be happy to arrange for a replacement to be sent to you free of charge.

Home service technicians

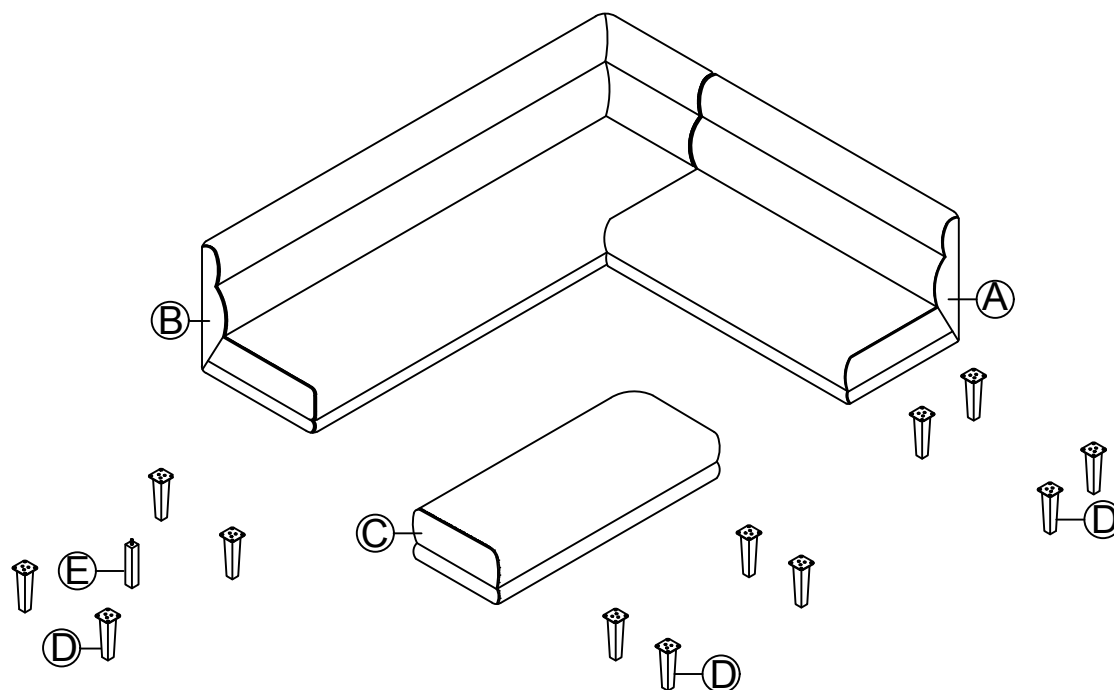
If you have a fault with your product please contact our customer service team on 0333 777 8999. If you have had the product for 28 days or less you may be offered a replacement, refund or for a fully trained home service technician to visit your home to assess the fault and repair the product where possible. If you have had the product for more than 28 days we will send an independent home service technician to review and repair the product where possible and recommend further action.

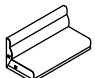
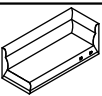



You can write to us at

Home Customer Services
Next Retail Ltd,
Desford Road,
Leicester,
LE19 4AT

**To view our full furniture range please visit
www.next.co.uk**

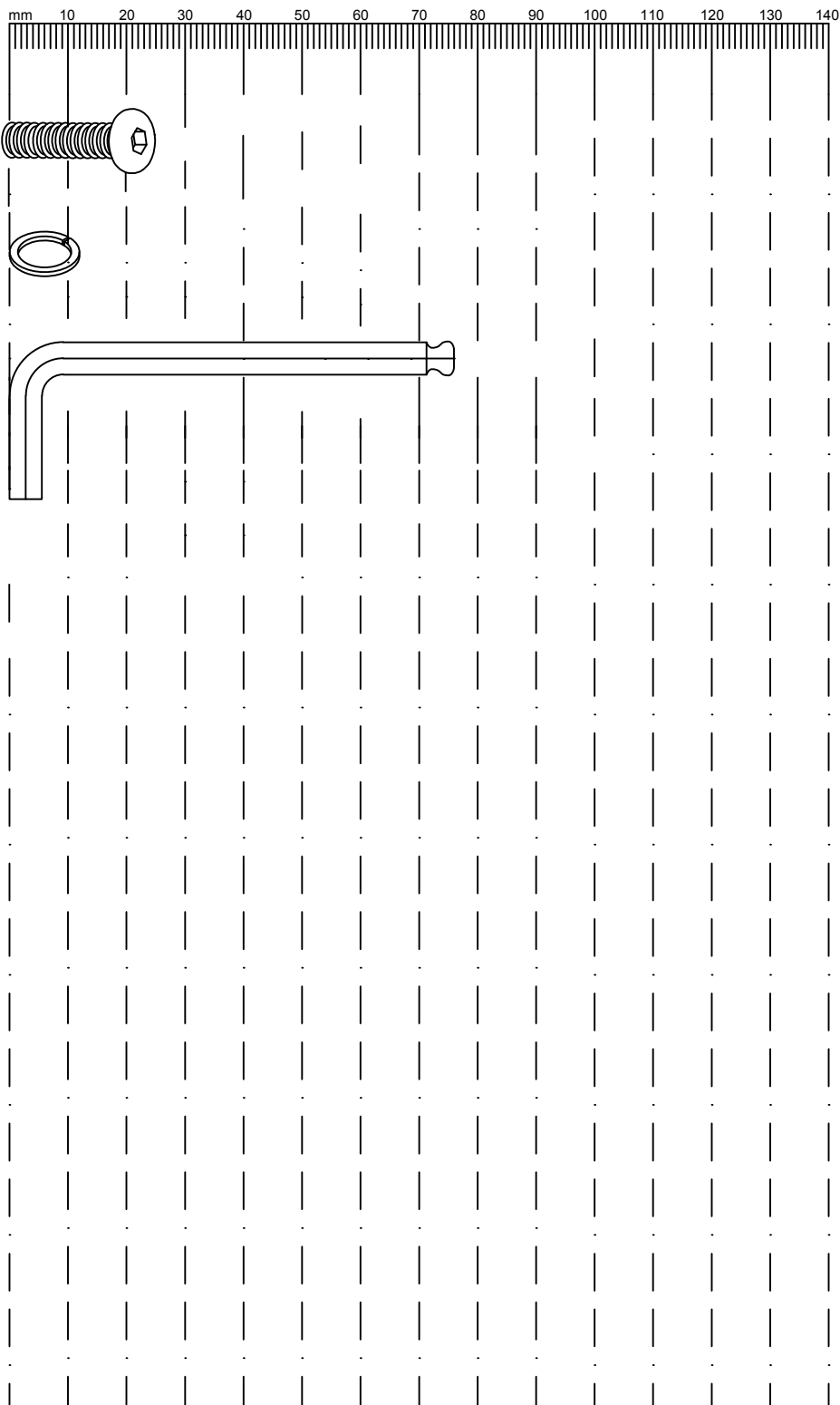
GETTING TO KNOW YOUR PRODUCT



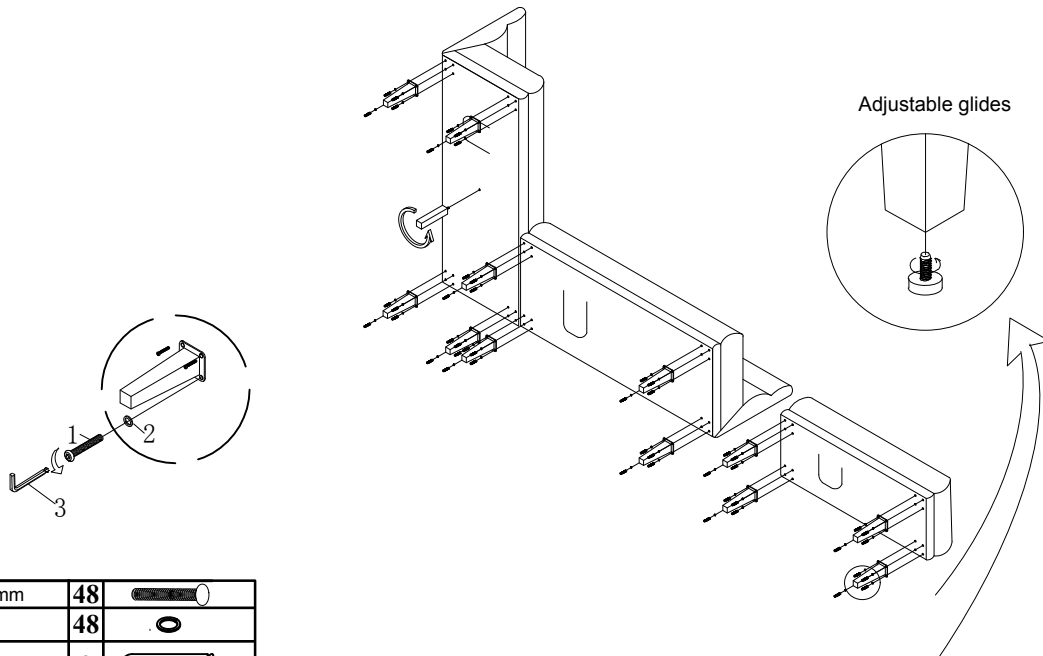
Ref	Dimensions	Visual	Qty
A	Seat:H65x110 x66CM		1
B	Seat:H65 x175 x66CM		1
C	Seat:H27x90 x48CM		1
D	Legs:22x 8 x8CM		12
E	Center leg:24 x 4 x 4CM		1

Fixtures and fittings
supplied(actual size)

Ref	Dimension	Qty	Spare
1	M8x 25mm	48	3
2	12mm	48	3
3	M5 x 25x 75 mm	3	1



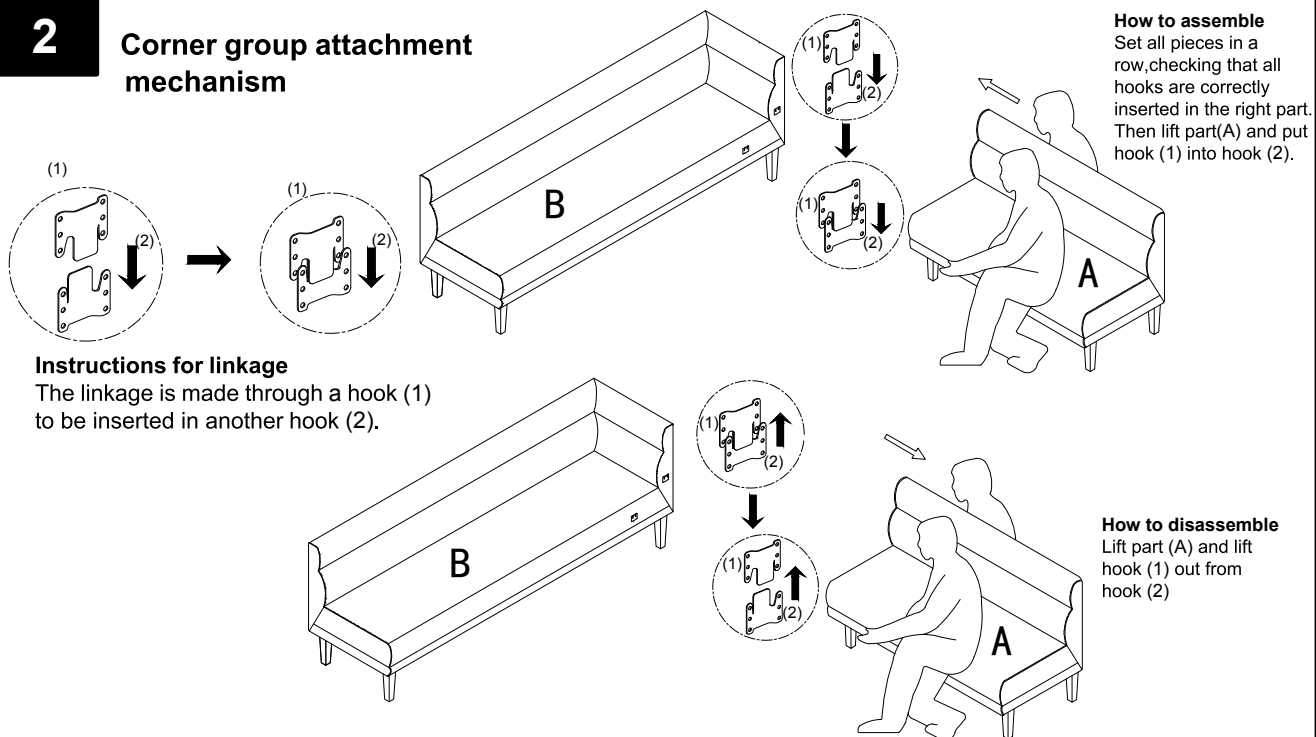
1



1	M8x25mm	48	
2	12mm	48	
3	M5x25x75mm	3	

2

Corner group attachment mechanism



How to assemble
Set all pieces in a row, checking that all hooks are correctly inserted in the right part. Then lift part (A) and put hook (1) into hook (2).

Instructions for linkage

The linkage is made through a hook (1) to be inserted in another hook (2).

How to disassemble
Lift part (A) and lift hook (1) out from hook (2)

Warning:

- Two people to assemble the bench and to lift the bench into position
- Do not lift the bench when assembled

