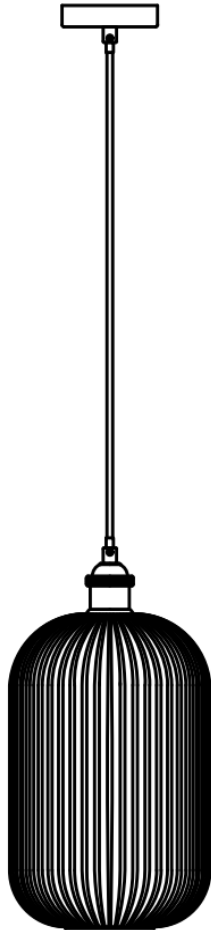


# DESIGNERS GUILD

LIGHTING

by  
Pacific

## USER GUIDE




REF.DG-012

## INTRODUCTION

These instructions are provided for your safety. Please read them carefully before commencing.

## IMPORTANT SAFETY INFORMATION

We recommend that this light is installed by a qualified electrician in accordance with both current IEE wiring regulations and Building Regulations.

- Carefully observe all instructions or warnings that are labelled on, or supplied with your light fitting.
- Before installation and servicing, disconnect (turn off) the electrical supply at the mains fuse box.
- A label on the new light fitting will state the maximum recommended wattage – do not exceed it!
- Fittings marked  must be earthed.
- Ensure that all green/yellow wires and terminals marked with the above symbol are connected to the supply earth.

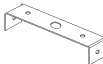
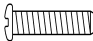

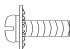


Terminals and cables in your light fitting are marked as follows:

Terminal Marking	Fitting Wiring	Mains Wiring
E	Green / Yellow	Green / Yellow (Earth)
N	Blue	Black or Blue (Neutral)
L	Brown	Red or Brown (Live)

Please note, you may find that there are only 2 wires in your household supply in which case there is no earth. Please contact a qualified electrician to provide an earth facility.

- This product is suitable for indoor use only.
- Please inspect the unit before installation and speak to customer service, if there is an issue. Issues are more difficult to rectify once the unit is installed.

## PARTS LIST

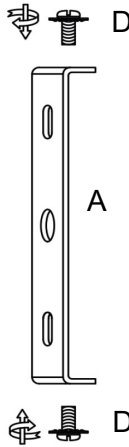
	Description	Illustration	Quantity
A	Mounting Bracket		x1
B	Fixing Screws		x2
C	Terminal Block		x1
D	Mounting Screws		x2
E	Glass Shade		x1
F	Shade Ring		x1

\* Installation tools not provided

**⚠ Before installation and servicing, disconnect (turn off) the electrical supply at the mains fuse box.**

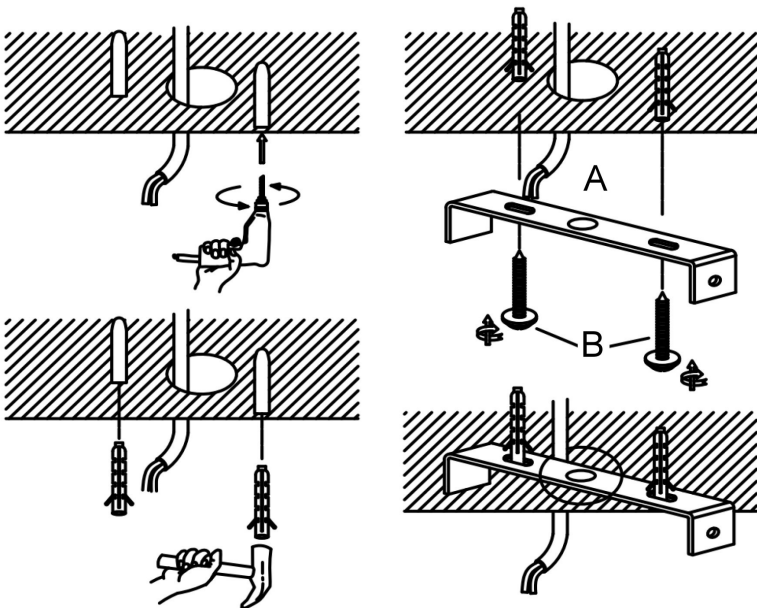
**STEP 1**

Remove the **Mounting Bracket (A)** from the ceiling cup by removing **Mounting Screws (D)** at the side of the ceiling cup.



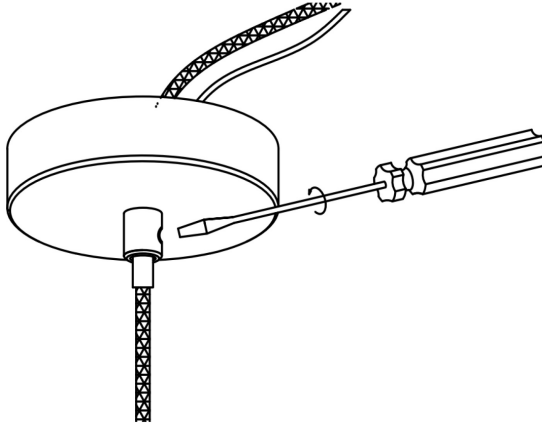
**STEP 2**

Using the **Wall Plugs (not included)** and **Fixing Screws (B)**, firmly fix the **Mounting Bracket (A)** to a ceiling joist or other solid mounting surface adjacent to the supply wiring. The fixings supplied (B) may not be suitable for all mounting structures. Ensure that the appropriate fixings are used and the integrity of the supporting structure is sufficient to hold the weight of the pendant.



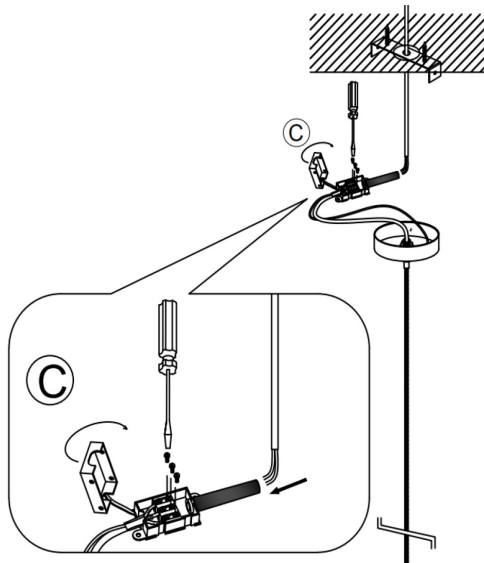
STEP 3

The overall drop height of this product can be altered. Adjust the cord-grip inside the ceiling cup and adjust the cable length to your required drop height.



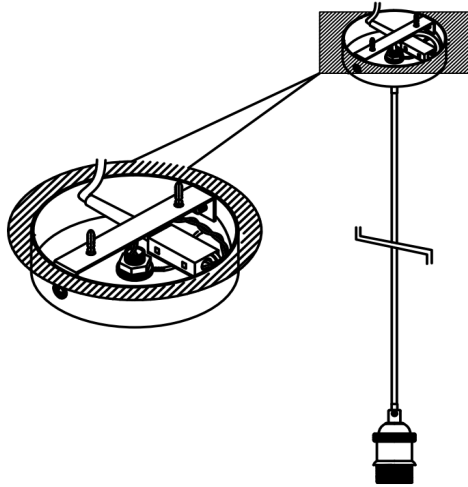
STEP 4

Connecting to the house mains, strip each of the three wires to 2cm. Twist and double back on itself. Loosen the **Terminal Block (C)** screws to allow the wires to be connected as per the terminal and wiring markings in 'Important Safety Information' section. Insert the wires and tighten the terminals ensuring each strand of wire is secured. Close the **Terminal Block (C)** until you hear a click.



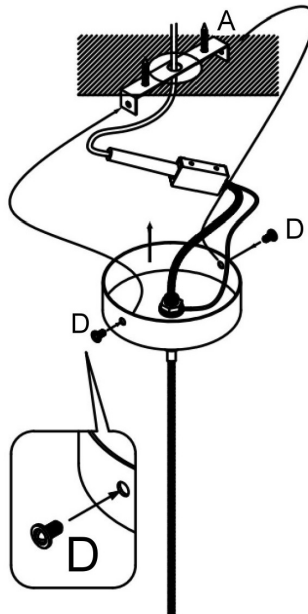
STEP 5

Neatly place the wires and terminal block inside the ceiling cup.



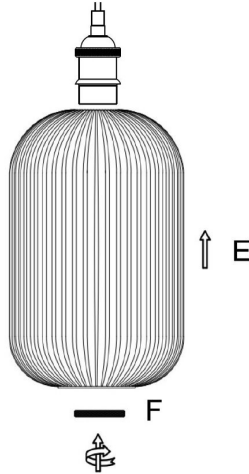
STEP 6

Fit the ceiling cup on to the **Mounting Bracket (A)** ensuring that no wires are trapped during installation. Secure using the **Mounting Screws (D)**



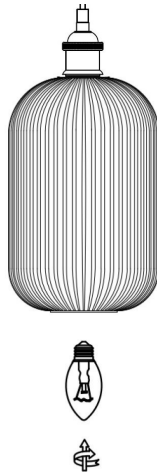
STEP 7

Put the **Glass shade (E)** to the **lampholder** and Screw the **Shade Ring (F)**



STEP 8

Insert/Screw in the bulb (not included with the product) without using excessive force. The bulb type can be found in the 'Specification' section.



STEP 9

Restore your mains electricity supply at the fuse board and check the operation of your fitting.

## CARE INSTRUCTIONS

Always turn off the electrical supply before cleaning. Clean with a duster.

## SPECIFICATION

Max Wattage: 10-12W LED

Recommended Bulb: 1 x ES E27 Candle bulb (not included)


Power Source: 220-240 V 50/60 Hz

IP Rating: 20

Weight: 1.35kg



## RECYCLING

This symbol  indicates that this product should not be treated as normal household waste and it should be recycled. Please take it to your nearest collection facility or for further details contact your local council or visit [www.recycle-more.co.uk](http://www.recycle-more.co.uk).



