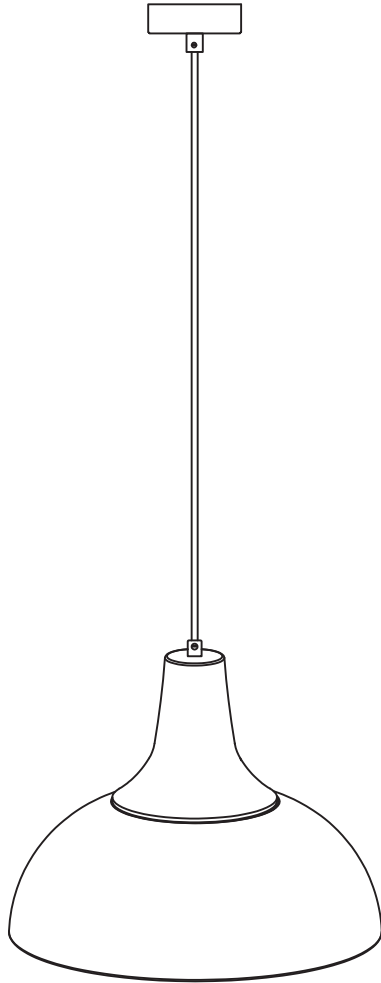


USER GUIDE



DG-002-CB

DG-002-EM


INTRODUCTION

These instructions are provided for your safety. Please read them carefully before commencing.

IMPORTANT SAFETY INFORMATION

We recommend that this light is installed by a qualified electrician in accordance with both current IEE wiring regulations and Building Regulations.

- Carefully observe all instructions or warnings that are labelled on, or supplied with your light fitting.
- Before installation and servicing, disconnect (turn off) the electrical supply at the mains fuse box.
- A label on the new light fitting will state the maximum recommended wattage – do not exceed it!

- Fittings marked  must be earthed.
- Ensure that all green/yellow wires and terminals marked with the above symbol are connected to the supply earth.










Terminals and cables in your light fitting are marked as follows:

Terminal Marking	Fitting Wiring	Mains Wiring
E	Green / Yellow	Green / Yellow (Earth)
N	Blue	Black or Blue (Neutral)
L	Brown	Red or Brown (Live)

Please note, you may find that there are only 2 wires in your household supply in which case there is no earth. Please contact a qualified electrician to provide an earth facility.

- This product is suitable for indoor use only.
- Please inspect the unit before installation and speak to customer service, if there is an issue. Issues are more difficult to rectify once the unit is installed.

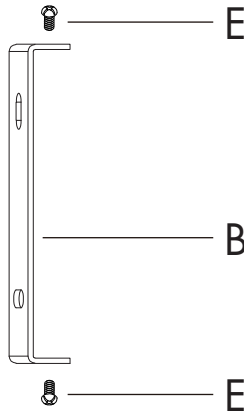
PARTS LIST

Piece	Description	Illustration	Quantity
A	Wall Plugs		x2
B	Mounting Bracket		x1
C	Fixing Screws		x2
D	Terminal Block		x1
E	Mounting Screws		x2
F	Lamp Body		x1
G	Shade		x1
H	Shade Ring		x1
I	Light Bulb (not included)		x1

! Before installation and servicing, disconnect (turn off) the electrical supply at the mains fuse box.

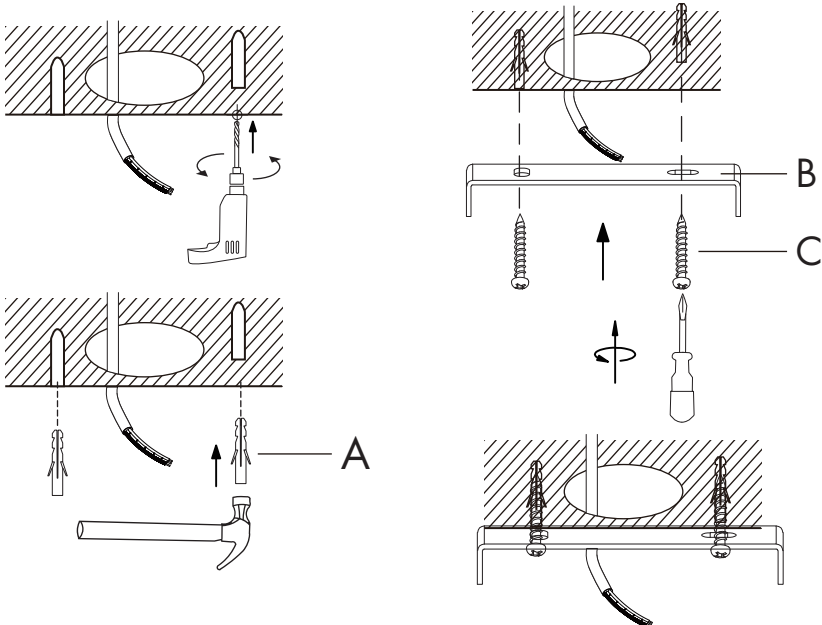
STEP 1

Remove the **Mounting Bracket (B)** from the ceiling cup by removing **Mounting Screws (E)** at the side of the ceiling cup.



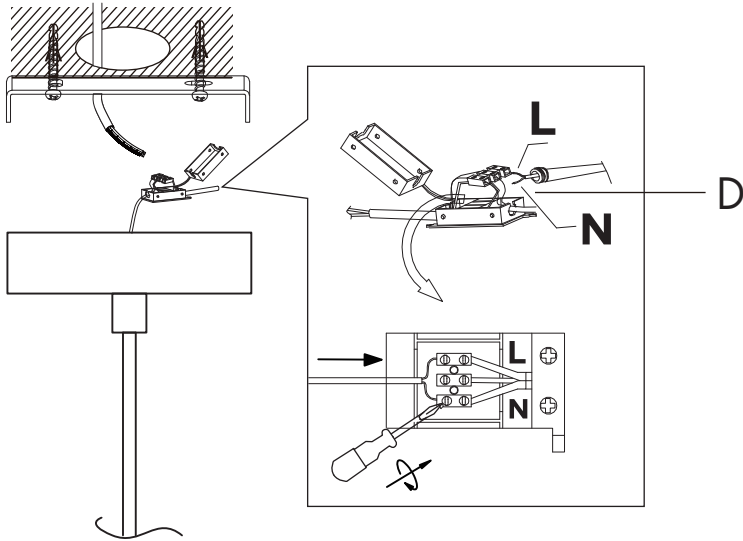
STEP 2

Using the **Wall Plugs (A)** and **Fixing Screws (C)**, firmly fix the **Mounting Bracket (B)** to a ceiling joist or other solid mounting surface adjacent to the supply wiring. The fixings supplied (**C**) may not be suitable for all mounting structures. Ensure that the appropriate fixings are used and the integrity of the supporting structure is sufficient to hold the weight of the pendant.



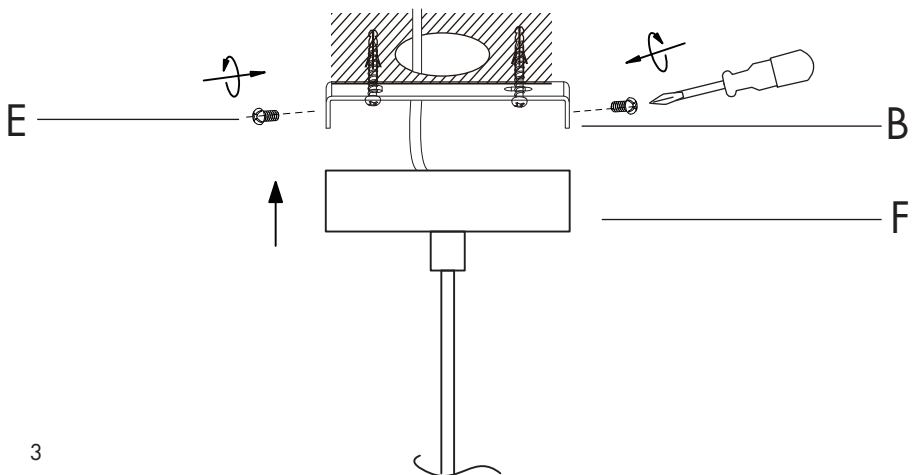
STEP 3

Connecting to the house mains, strip each of the three wires to 2cm. Twist and double back on itself. Loosen the **Terminal Block (D)** screws to allow the wires to be connected as per the terminal and wiring markings in 'Important Safety Information' section. Insert the wires and tighten the terminals ensuring each strand of wire is secured. Close the **Terminal Block (D)** until you hear a click.



STEP 4

Fit the **Lamp Body (F)** on to the **Mounting Bracket (B)** ensuring that no wires are trapped during installation. Secure using the **Mounting Screws (E)**



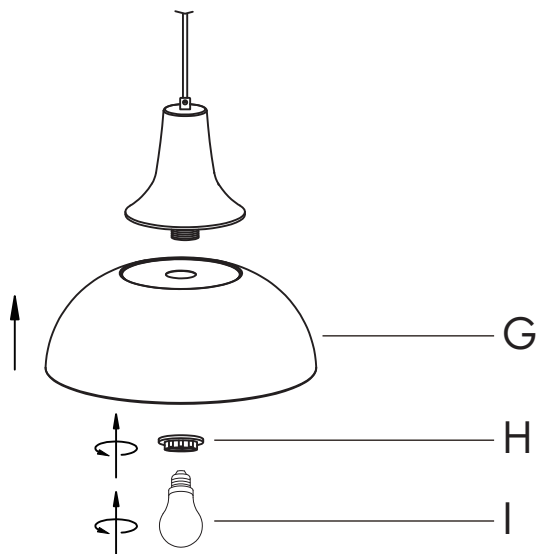
ASSEMBLY INSTRUCTIONS

STEP 5

Remove **Shade Ring (H)** from lamp head.

Fit the **Shade (G)** over the lamp holder and secure in place with the **Shade Ring (H)**.

Screws **Bulb (I)** into the lamp holder .



CARE INSTRUCTIONS

Always turn off the electrical supply before cleaning. Clean with a dry soft cloth.

SPECIFICATION

Max Wattage: 10-12W LED

Recommended Bulb: 1 x E27/ES GLS bulb (not included)


Power Source: 220-240 V 50/60 Hz

IP Rating: 20

Weight: 1.25 kg



RECYCLING

This symbol  indicates that this product should not be treated as normal household waste and it should be recycled. Please take it to your nearest collection facility or for further details contact your local council or visit www.recycle-more.co.uk.



