

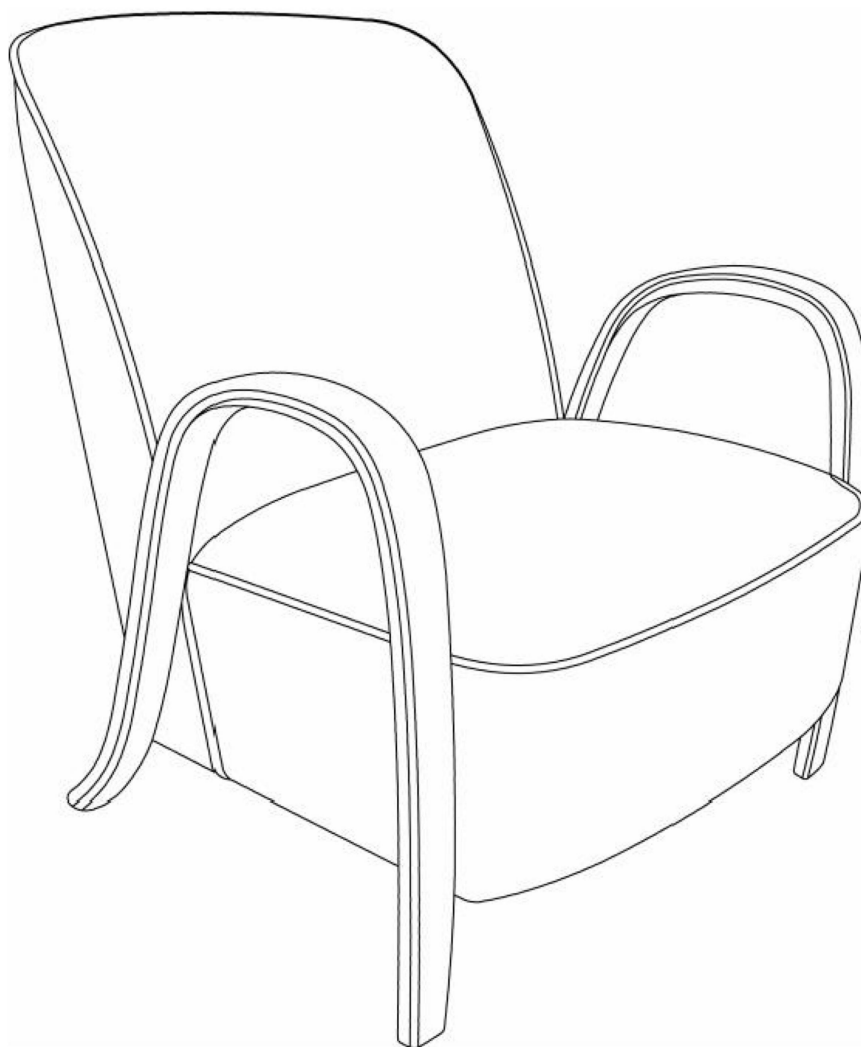
# NEXT

HENSLEY CHAIR W70655 W70656 Y24360 Y24369

Assembly instructions

Actual product size

Chair:H86xW70.5xD85.5cm



Item number	Fabric name -Leg	Fabric composition
W70655	OTE Canna 352-Walnut	100% Polyester
W70656	Mobus Willow Henna-Walnut	85%Poly+12%COTTON+3%Linen
Y24360	AE2020 Fur Checkerboard-Walnut	100% POLYESTER
Y24369	OTE JAGUAR-431-Walnut	95% POLYESTER+ 5% LINEN

**Need Help?**

with:Assembly instructitons  
Missing or damaged parts

CALL:0333 777 8999

**IMPORTANT-RETAIN FOR FURTURE REFERENCE**

## BEFORE YOU START

Number of people required to assemble  
One person are required to assemble this item

**Time to assemble** :30 minutes



### Do's

#### Before Use

We suggest you spend a short time reading through this leaflet before you start

When you are ready to start, make sure that you have the right tools and plenty of space

Unwrap all packaging materials and place the components on a clean surface to protect it from damage; we recommend that the packaging is

used to protect the surfaces during assembly

Carefully check that you have all the parts before beginning assembly

***Upholstered products only*** - When your new product arrives, you may notice that some of the cushions or upholstered areas may have been creased or squashed during transit. This can be simply corrected by gently patting the area back into shape to re-distribute the filling and reshape the cover.

#### ***Upholstered products only***

Avoid allowing pets on upholstered products as their claws may cause damage to the leather or fabric.

Checks, Stripes and Patterns - We do all we can to match fabrics wherever possible on our products, but

it's not always feasible in production. Images online and in any promotional material are for guidance only and the finished products may vary slightly.

Ensure the product is fully assembled as illustrated and all fixings fully tightened before use.

#### Missing parts

If you are missing any fixtures and fittings for your product. Please contact our customer service team on 0333 777 8999 and they will be happy to arrange for a replacement to be sent to you free of charge

# HENSLEY CHAIR W70655 W70656 Y24360 Y24369

## Assembly instructions

### Warnings

Always retain these instructions for future reference

Keep fittings out of children's reach and keep children well away from construction area

This product should only be used on firm level ground. Periodically check all fittings, where applicable, and re-tighten as necessary

Avoid exposure to direct and prolonged periods of sunlight, as colours might fade in the sun. Protect your upholstered furniture by drawing the curtains or blinds when you go out.

Do not position upholstery close to sources of intense heat, such as radiators.

Do not stand or jump on your furniture.

Avoid sitting on arms or edges which may cause distortion or damage the frame.

Dye transfer from garments and other soft furnishings such as denims and similar dark fabrics can't be removed.

### Home Service Technicians

If you have a fault with your product, please contact our customer service team on 0333 777 8999. If you have had the product for 28 days or less you may be offered a replacement, refund or for a fully trained home service technician to visit your home to assess the fault and repair the product where possible. If you have had the product for more than 28 days we will send an independent home service technician to review and repair the product where possible and recommend further action

### You can write to us at

Home Customer Services  
Next Retail Ltd.  
Desford Road,  
Leicester;  
LE19 4AT

To view our full furniture range please visit  
[www.next.co.uk](http://www.next.co.uk)

## Need Help?

with: Assembly instructions  
Missing or damaged parts

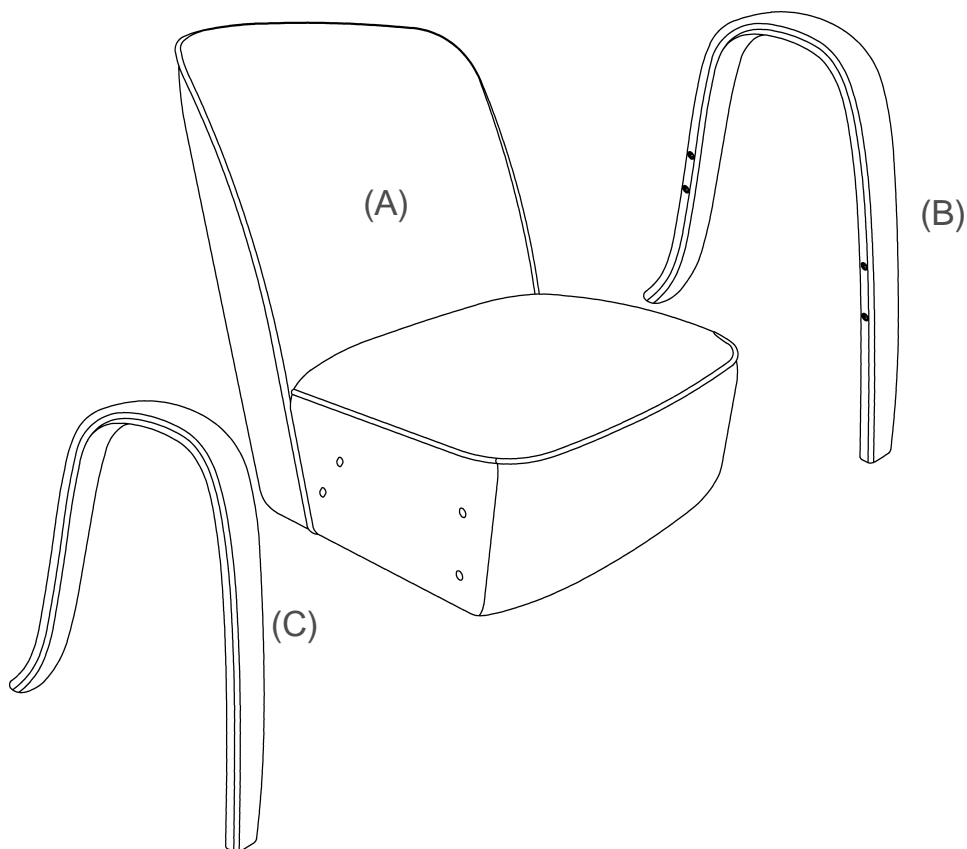
CALL: 0333 777 8999

# NEXT


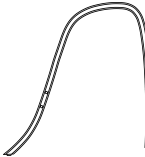
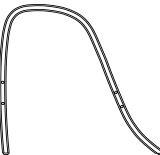
HENSLEY CHAIR W70655 W70656 Y24360 Y24369

Assembly instructions

## GETTING TO KNOW YOUR PRODUCT



Components supplied. Please use this guide if you require replacement parts.

Ref	Dimension	Visual	Qty	Cnt
A	Seat W58.5*D80*H76cm		1	1
B	Left Rear Leg W5.3*D62*H59.5cm		1	1
C	Right Rear Leg W5.3*D62*H59.5cm		1	1

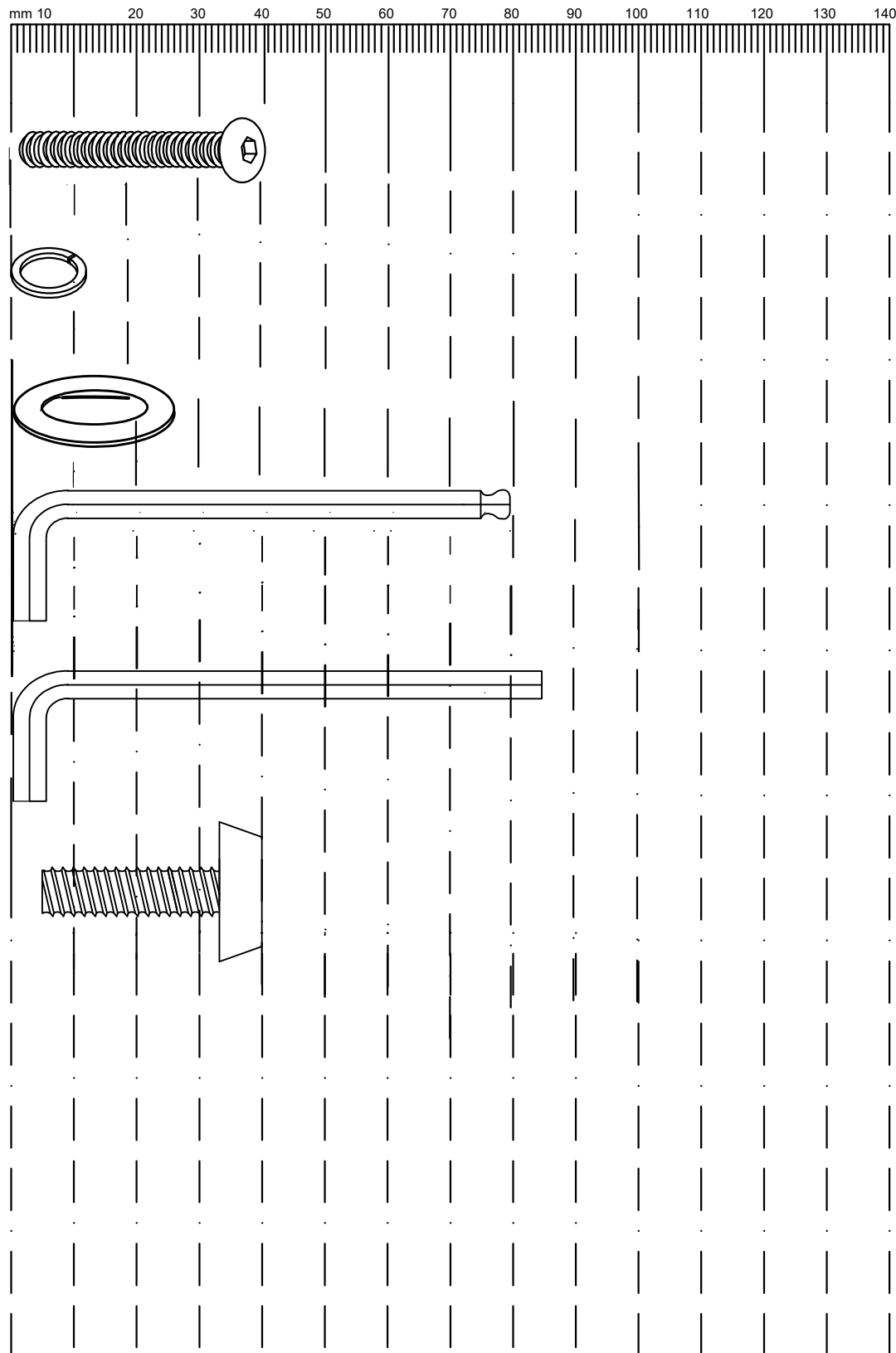
# NEXT

HENSLEY CHAIR W70655 W70656 Y24360 Y24369

Assembly instructions

Fixtures and fittings  
supplied(actual size)

Ref	Dimension	Qty	Spare
H1	M8x40mm	8	1
H2	13mm	8	1
H3	25mm	8	1
H4	M5x30x 80mm	1	0
H5	M6	1	0
H5	M6	4	1

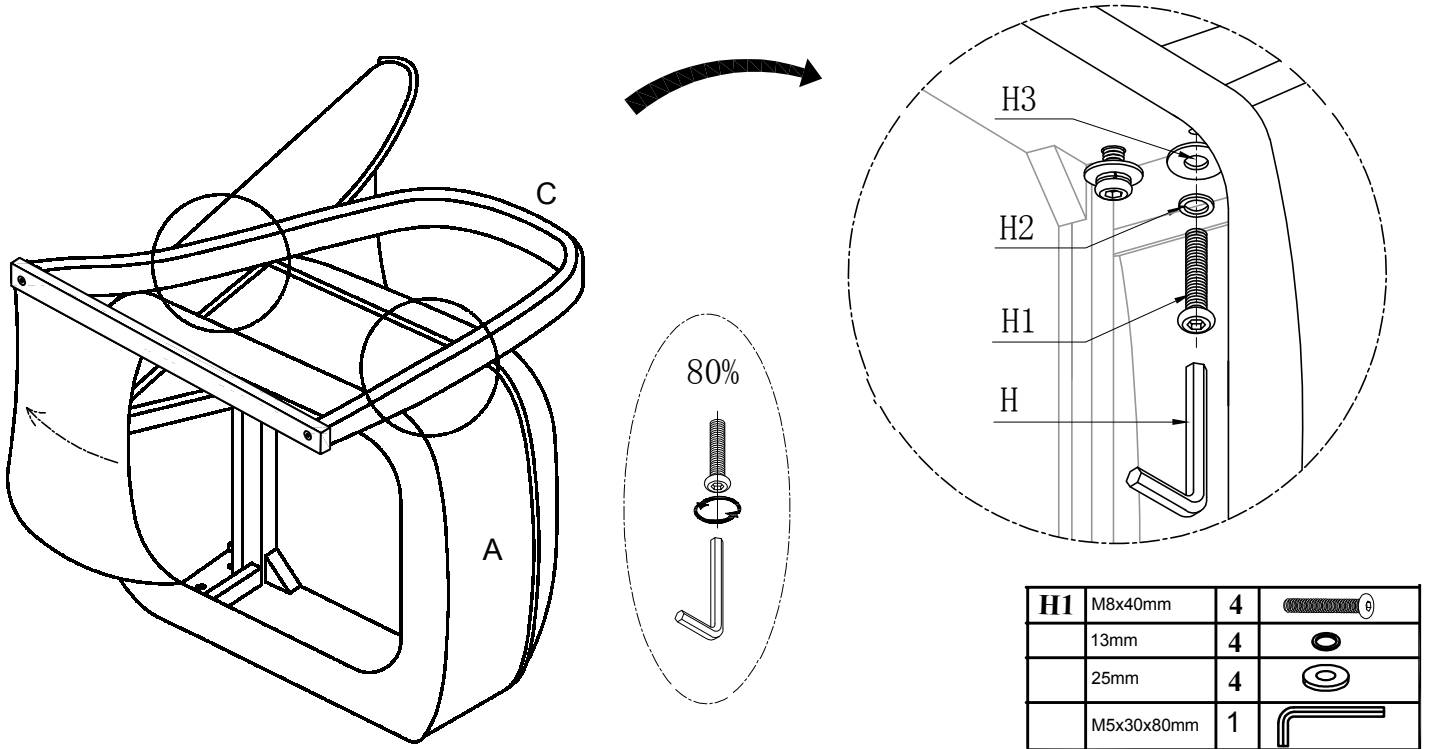


# NEXT

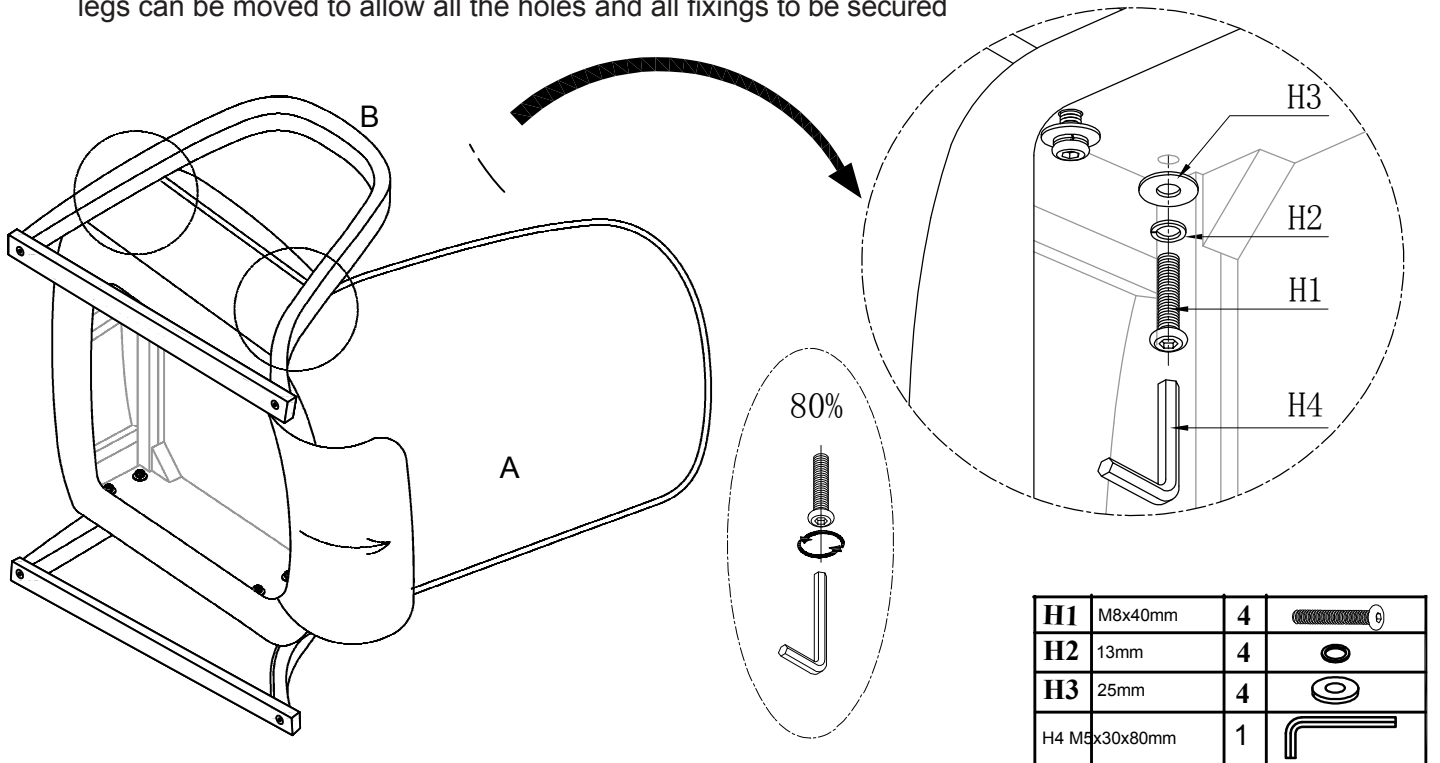
## HENSLEY CHAIR W70655 W70656 Y24360 Y24369

### Assembly instructions

- 1** Do not fully tighten the fixings at the stage .Keep them loose so that the legs can be moved to allow all the holes and all fi xings to be secured



- 2** Do not fully tighten the fixings at the stage keep them loose so that the legs can be moved to allow all the holes and all fixings to be secured

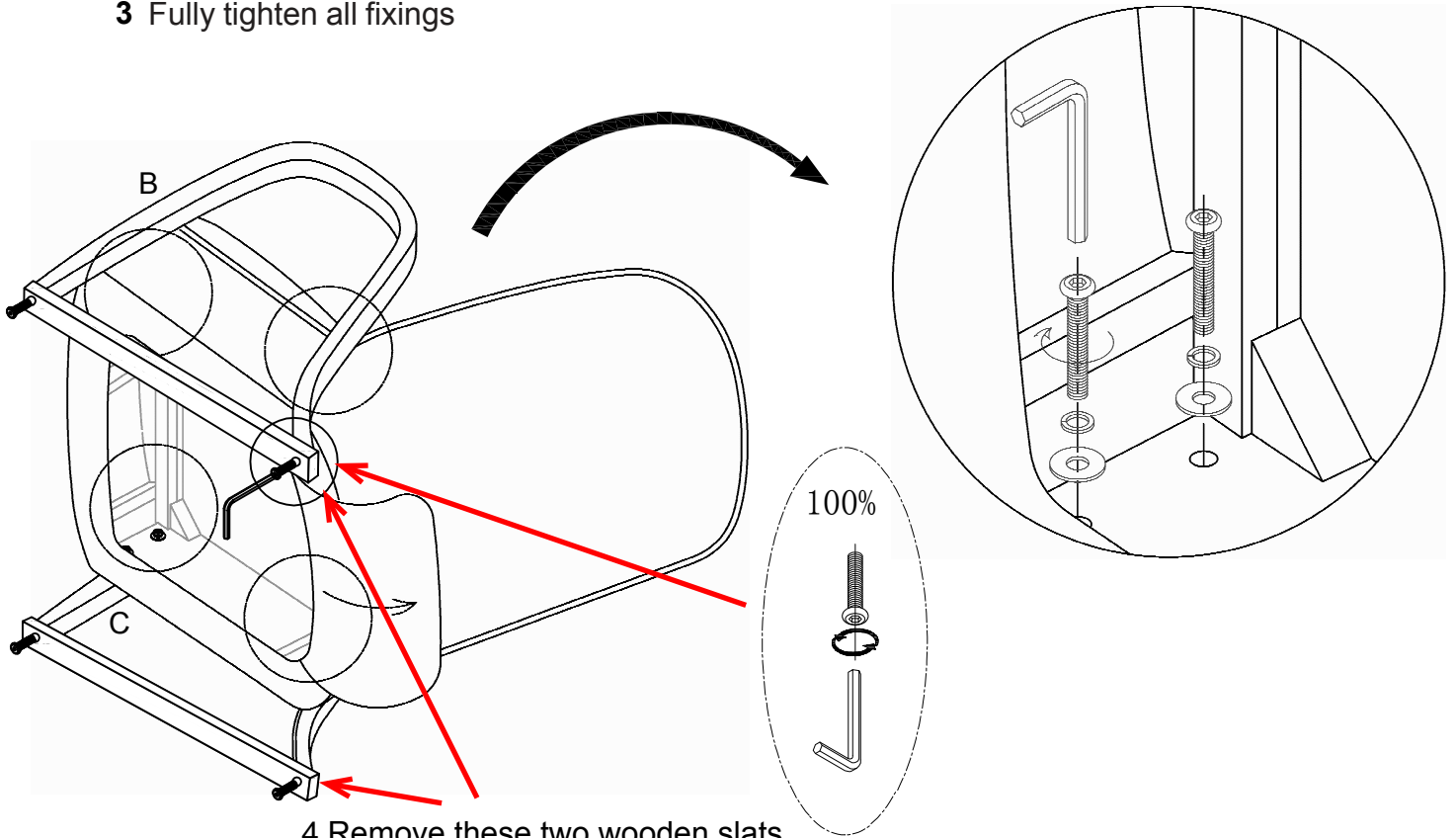


# NEXT

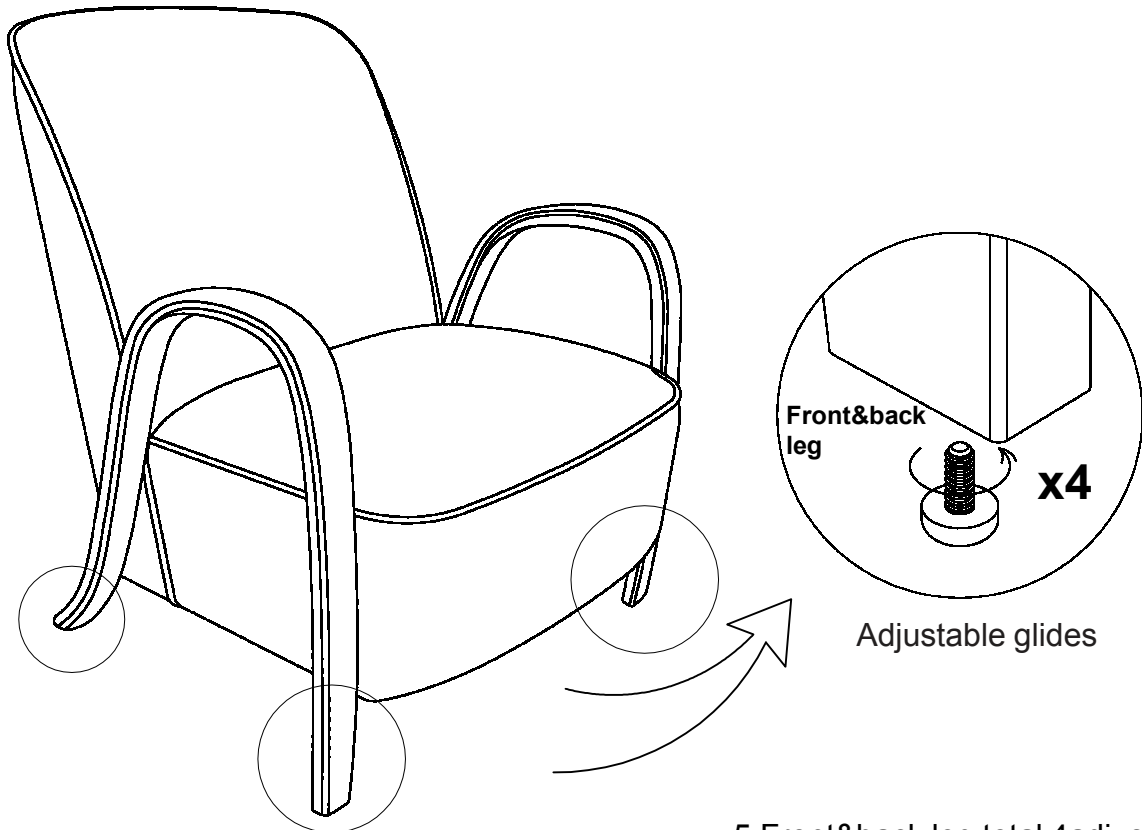
HENSLEY CHAIR W70655 W70656 Y24360 Y24369

Assembly instructions

### 3 Fully tighten all fixings



### 4. Remove these two wooden slats



### 5. Front&back leg total 4 adjustable glides

# NEXT

## HENSLEY CHAIR W70655 W70656 Y24360 Y24369 Assembly instructions

Actual product size

Chair:H86xW70.5xD85.5cm

