

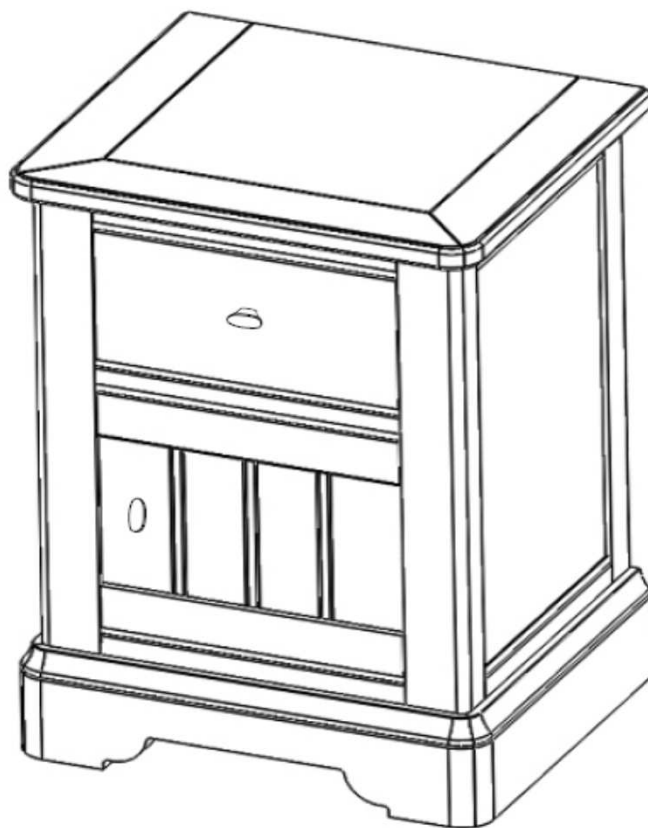
NEXT

HAMPTON CHALK STORAGE SIDE TABLE - Y34911

Assembly instructions

Actual product size

H66 x W46 x D40cm



Need Help?

With: Assembly instructions
Missing or damaged parts

CALL: 0333 777 8999

IMPORTANT – RETAIN FOR FUTURE REFERENCE

Produced in Lithuania for Next Retail Ltd.

HAMPTON CHALK STORAGE SIDE TABLE - Y34911

Assembly instructions

BEFORE YOU START

Number of people required to assemble

One persons are required to assemble this item

Time to assemble: 10 minutes



Do's

We suggest you spend a short time reading through this leaflet before you start. When you are ready to start, make sure that you have the right tools and plenty of space. Unwrap all packaging materials and place the components on a clean surface to protect it from damage. We recommend that the packaging is used to protect the surfaces during assembly. Carefully check that you have all the parts before beginning assembly. Due to the size of the product we recommend that it is assembled in the room intended for use. Ensure the product is fully assembled as illustrated and all fixings fully tightened before use. Wipe occasionally with a soft cloth slightly dampened with water. Then buff with a dry clean soft cloth. Wood will mellow and change colour over time, we recommend that ornaments and items placed on the surface are moved regularly for the first few months to prevent uneven mellowing.

Don'ts

Do not drag or pull your furniture. Do not rub or scrub the surface when cleaning. Do not use silicone based furniture polish. Silicone in furniture polishes can break down the finish. Never allow any kind of liquid to remain on your furniture. Absorption can cause wood to warp or finishes to delaminate. Do not place hot items (e.g. hot drinks) directly on to the wood surface. Please make sure you use a placement or coaster.

Missing parts

If you are missing any fixtures and fittings for you product please contact our customer service team on 0333 777 8999 and they will be happy to arrange for a replacement to be sent to you free of charge.

Warnings

We suggest you retain these instructions for future reference. Keep fittings out of children's reach and keep children well away from the construction area. This product should only be used on firm level ground. Please periodically check all fittings and re-tighten as necessary. Please do not sit or stand on your furniture. Avoid exposing the furniture to excessive heat or direct sunlight as this can cause deterioration of the colour. Unwrap all packaging materials and place the components on top of the carton box or on a clean floor to protect it from damage.

Home service technicians

If you have a fault with your product, please contact our customer service team on **0333 777 8999**. If you have had the product for 28 days or less you may be offered a replacement, refund or for a fully trained home service technician to visit your home to assess the fault and repair the product where possible. If you have had the product for more than 28 days we will send an independent home service technician to review and repair the product where possible and recommend further action.

You can write to us at

Home Customer Services
Next Retail Ltd,
Desford Road,
Leicester,
LE19 4AT

To View our full furniture range
please visit www.next.co.uk

Need Help ?

With: Assembly instruction
Missing or damaged parts
CALL: 0333 777 8999

HAMPTON CHALK STORAGE SIDE TABLE - Y34911

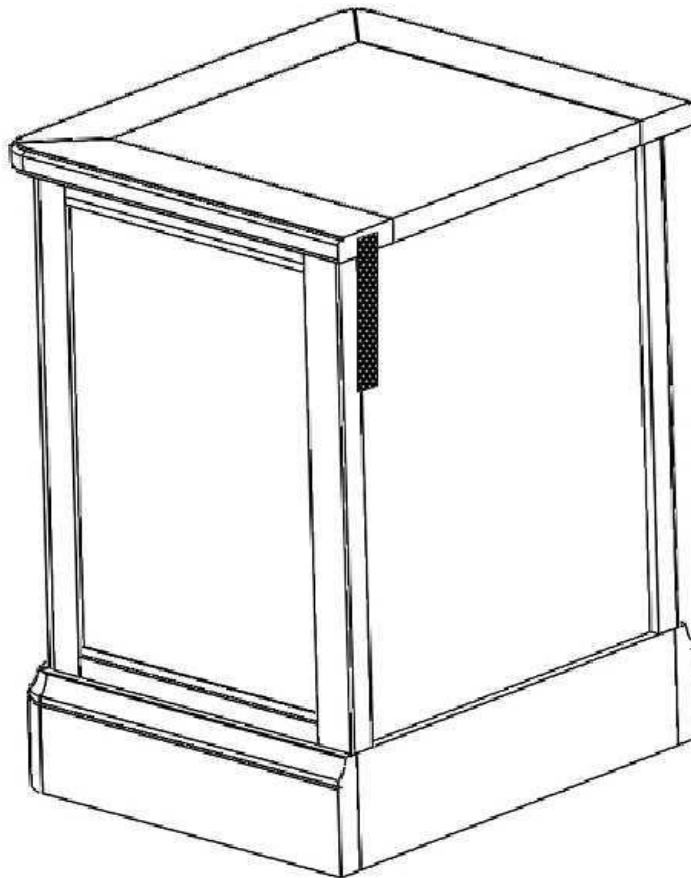
Assembly instructions

We recommend the use of the wall strap provided for safety reasons. Wall fixings are not included please source suitable fixings for your wall type. If in doubt, please consult a qualified tradesperson.

WARNING: Always ensure the wall to be drilled is free from hidden electrical wires, water and gas pipes.

Installation shall be carried out exactly according to the manufacturers instructions - otherwise a safety risk can occur if incorrectly installed.

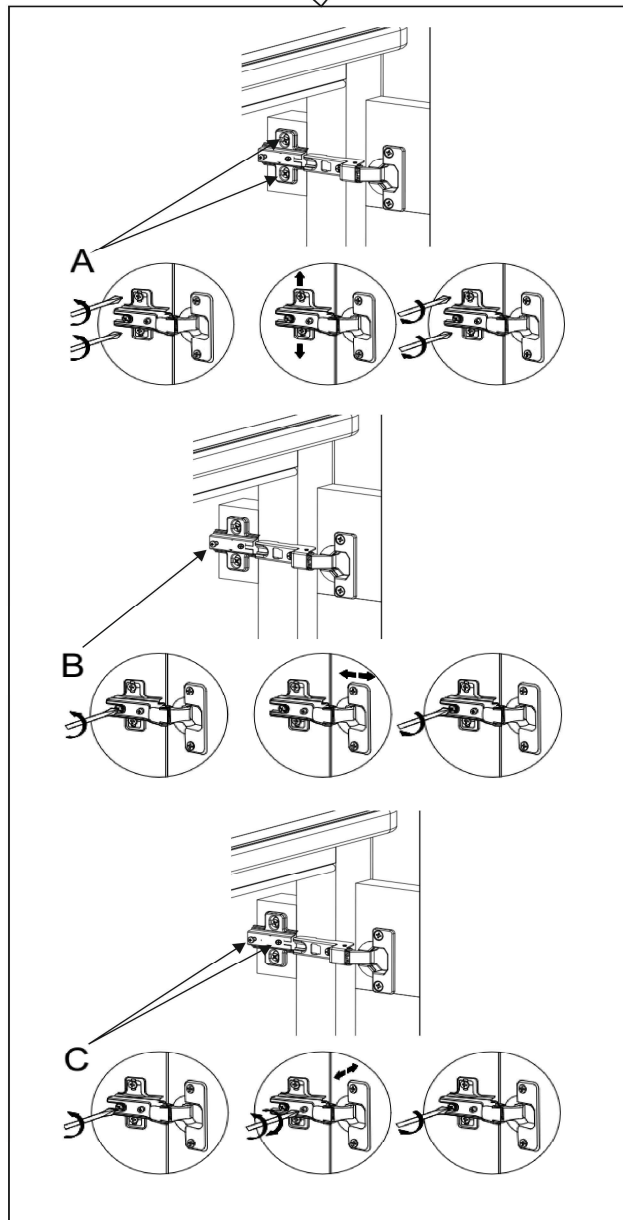
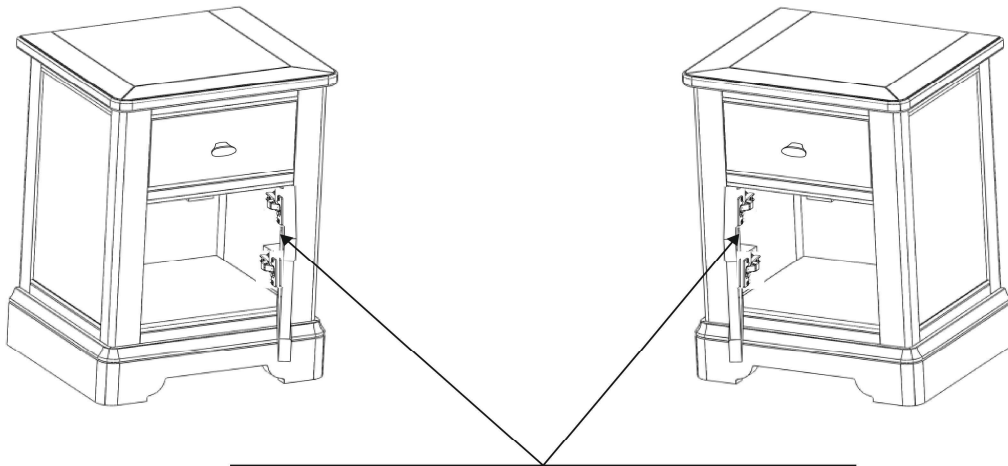
WARNING! In order to prevent overturning this product must be used with wall attachment provided.



HAMPTON CHALK STORAGE SIDE TABLE - Y34911

Assembly instructions

To change door hinge from Left to Right side



HAMPTON CHALK STORAGE SIDE TABLE - Y34911

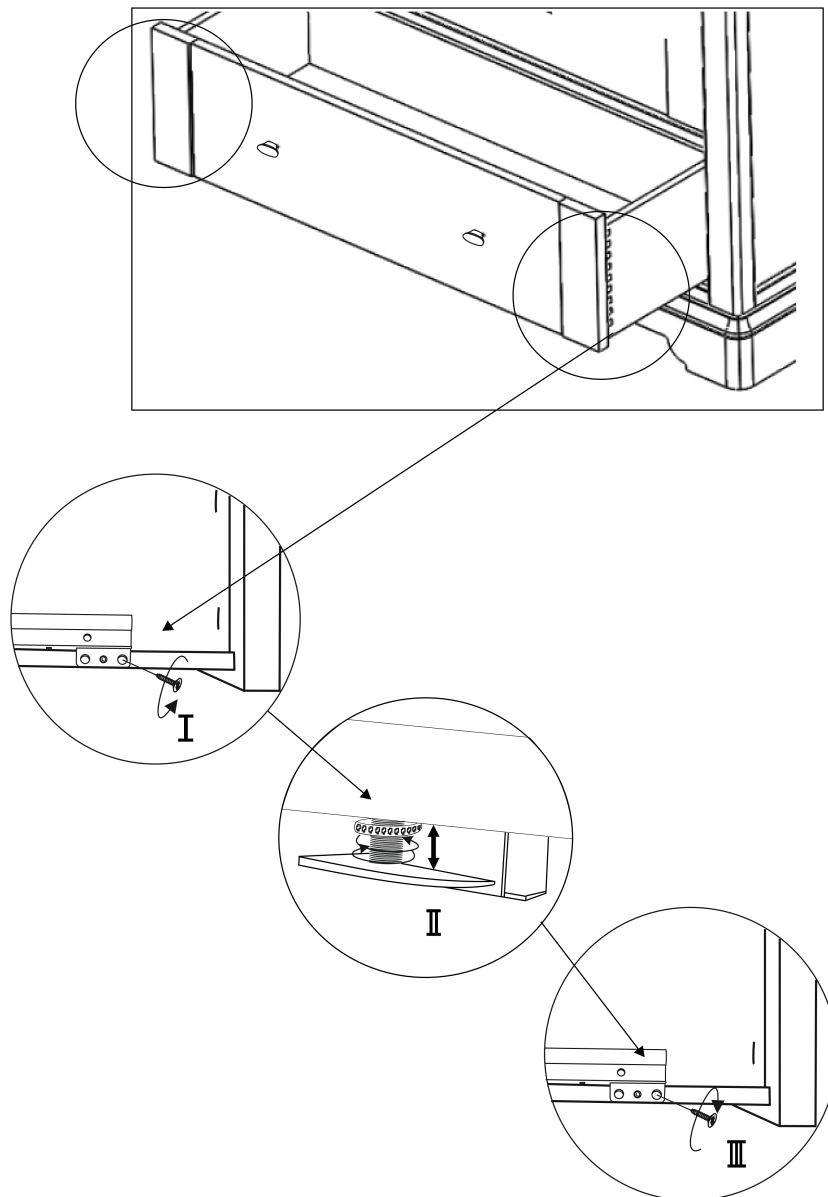
Assembly instructions

To align the drawers within the frame, first ensure that the unit is levelled in position using the wedges supplied.

If further adjustment of the drawers is required. Open the drawer and adjust using the thumbwheels in the drawer runners as shown in the diagram.

You may need to remove the small securing screw to allow the drawer to move on the runner.

Replace the screw once the drawer is in the correct position.



NEXT

HAMPTON CHALK STORAGE SIDE TABLE - Y34911

Assembly instructions

Actual product size

H66 x W46 x D40cm

