
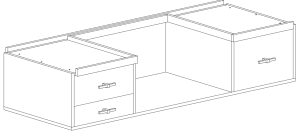
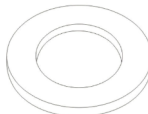




# SIVOON

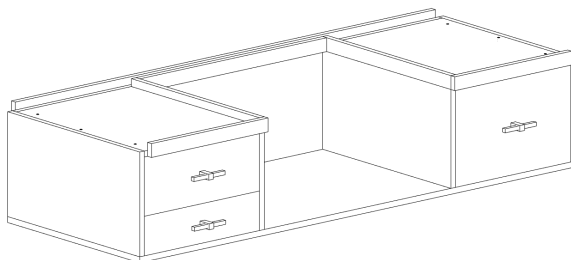
## VERNE - DESK - DOUBLE PEDESTAL

	2 x Leg
	1 x Desk
	6 x Metal Washer 8 x 16mm
	6 x Allen Bolt 6 x 25mm
	1 x Allen Key 4 mm

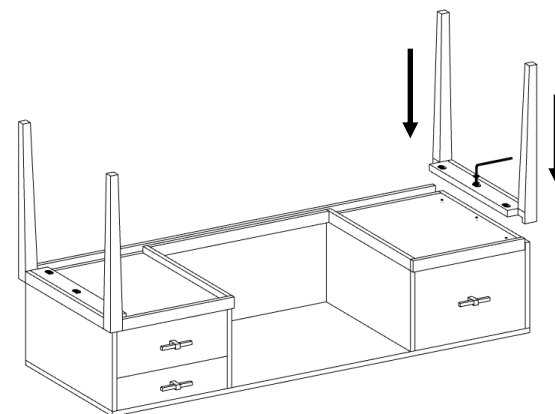
### “Important”

Use mat or carpet to assemble the product to avoid scratches.

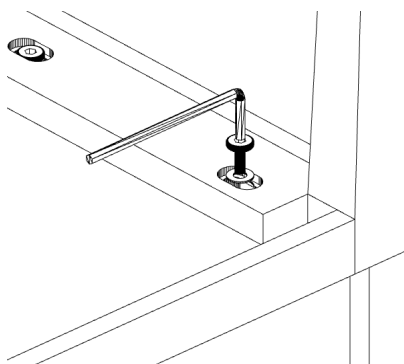
①



②



③



④

