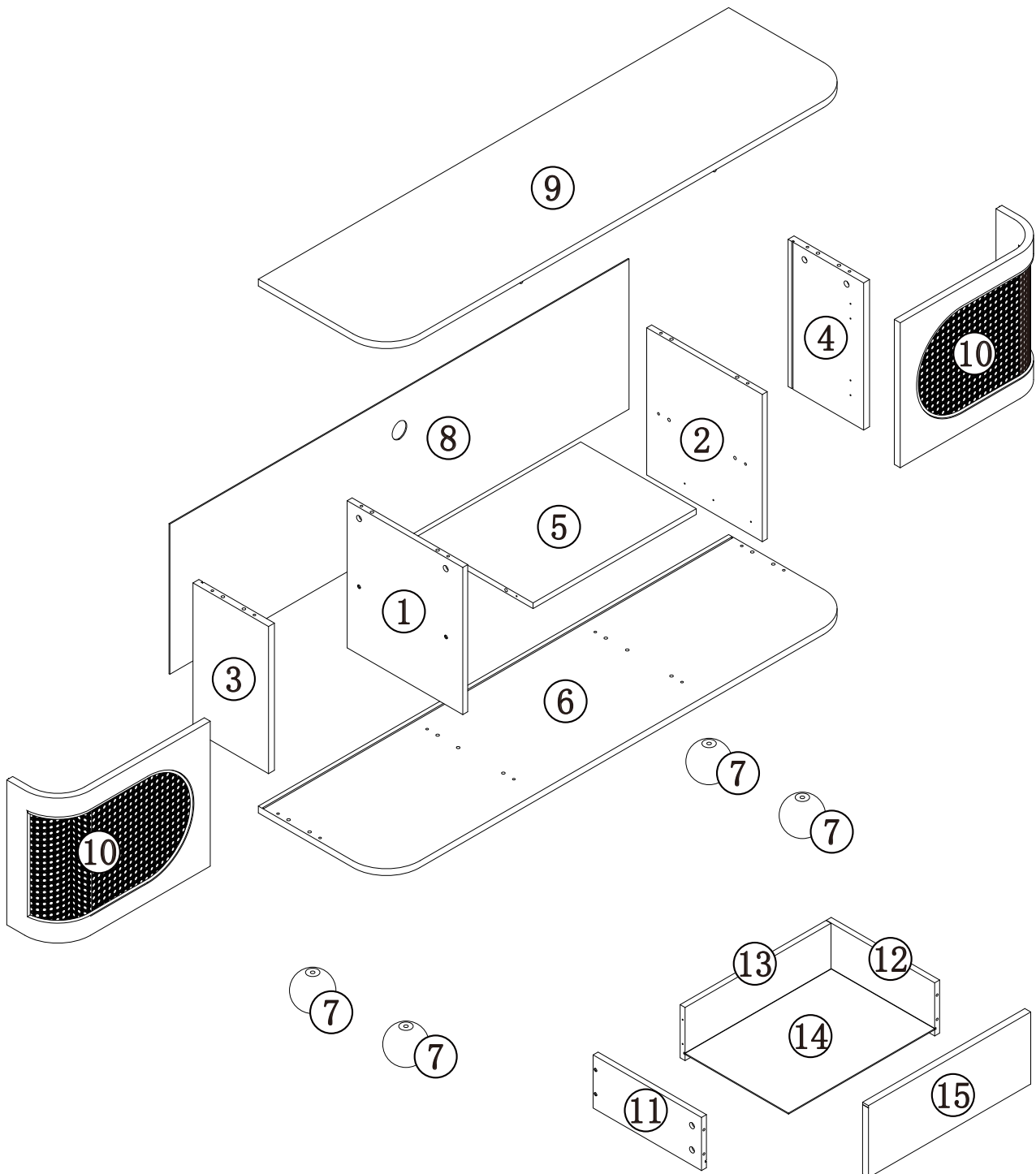




Una TV Stand, Oak/Walnut

CF_TV40377/NAT/WAL

PRODUCT PARTS INCLUDED

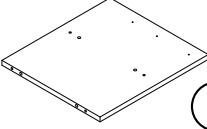
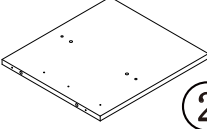
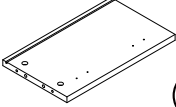
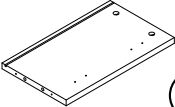
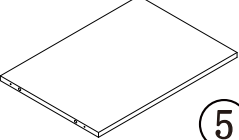
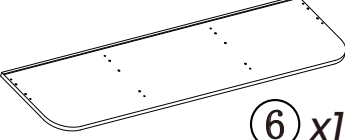
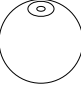
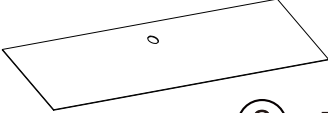
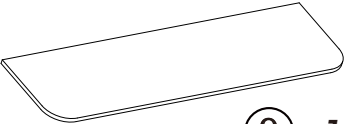
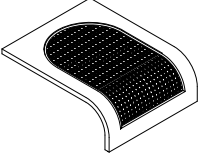
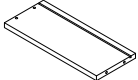
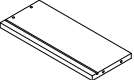

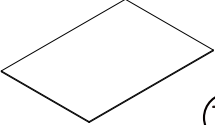
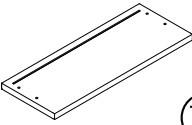
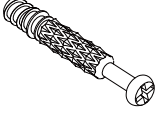

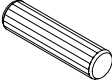

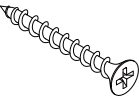
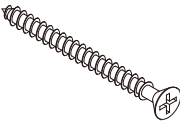
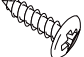
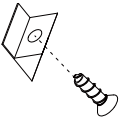
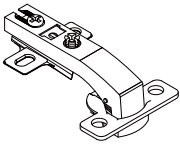
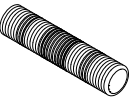

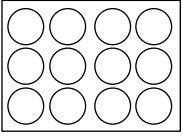
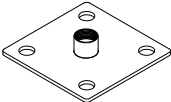

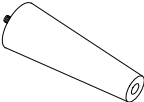
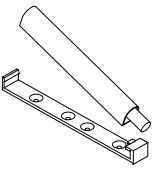
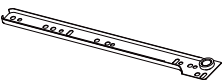
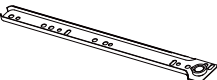
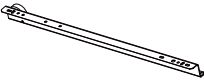
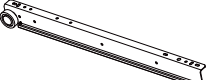




Una TV Stand, Oak/Walnut

CF_TV40377/NAT/WAL

PRODUCT PARTS INCLUDED

 ① x1	 ② x1	 ③ x1	 ④ x1
 ⑤ x1	 ⑥ x1	 ⑦ x4	 ⑧ x1
 ⑨ x1	 ⑩ x2	 ⑪ x1	 ⑫ x1
 ⑬ x1	 ⑭ x1	 ⑮ x1	
 7x39mm Ax12	 Bx12	 8x30mm Cx20	 3.5x14mm Dx32
 5x40mm Ex8	 5x50mm Fx8	 4x14mm Gx16	 3x16mm Hx10
 Ix4	 8x35mm Jx4	 Kx2	 Lx1
 Mx4	 Nx4	 Ox2	 Px2
 CLx1	 CRx1	 DLx1	 DRx1



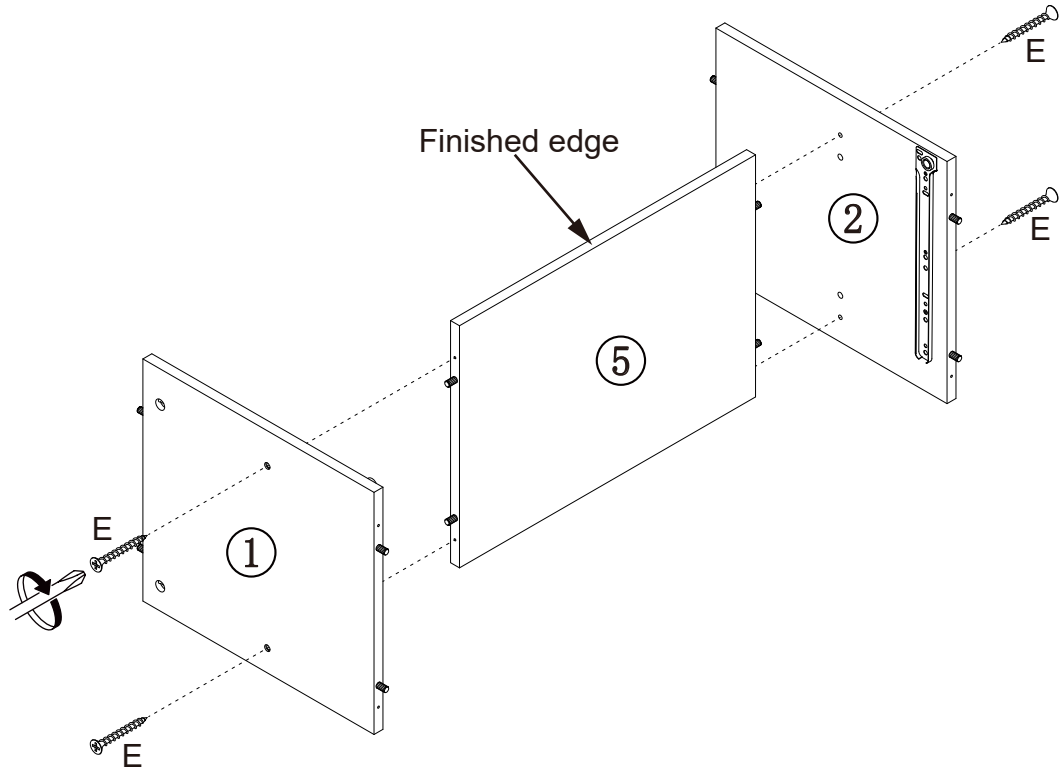
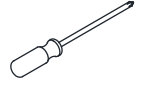
Una TV Stand, Oak/Walnut

CF_TV40377/NAT/WAL

STEP 3



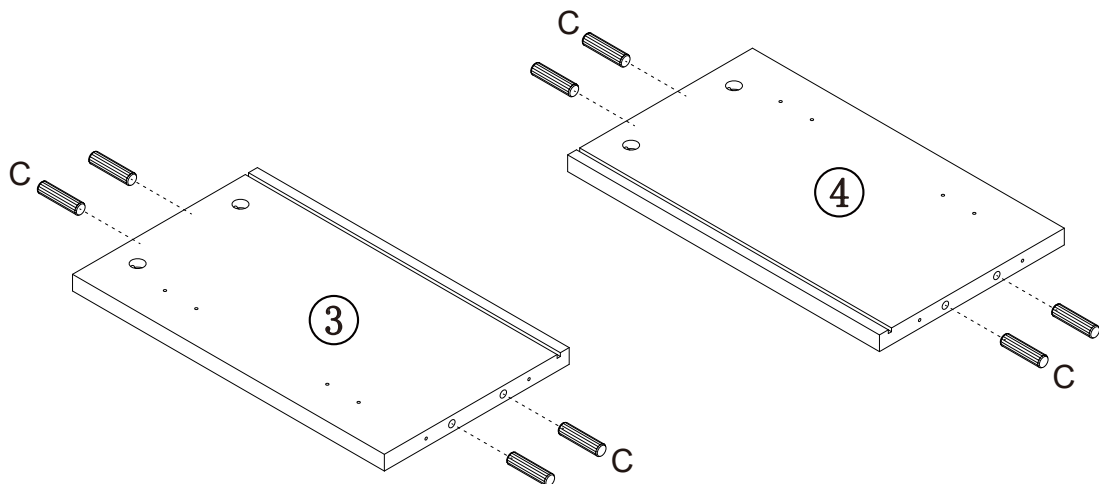
Ex4



STEP 4



Cx8

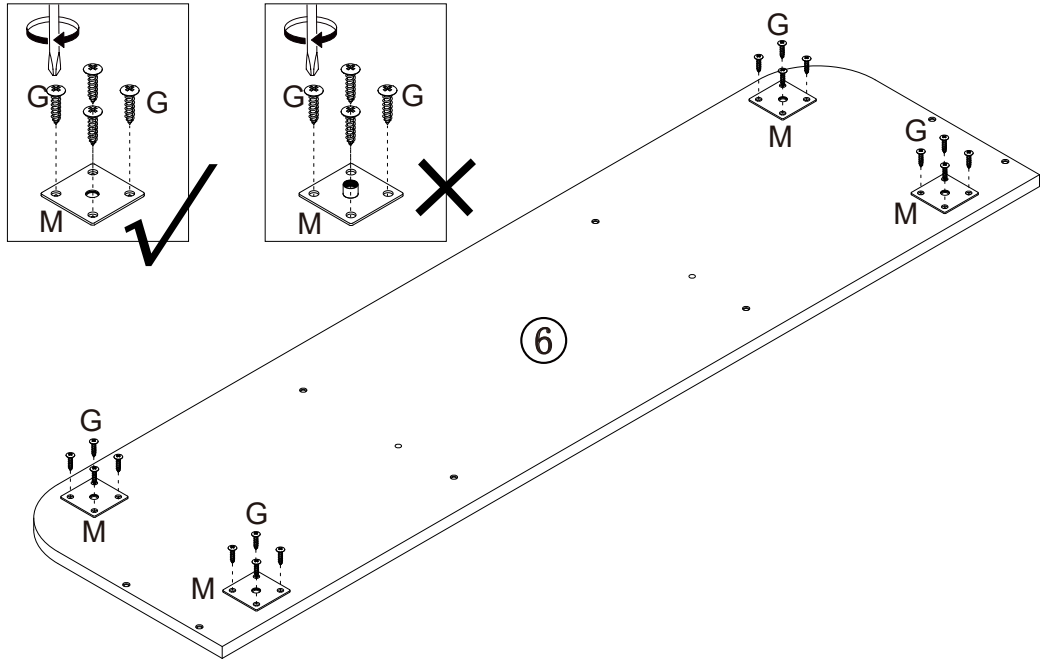
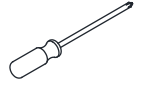
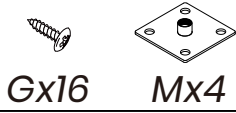




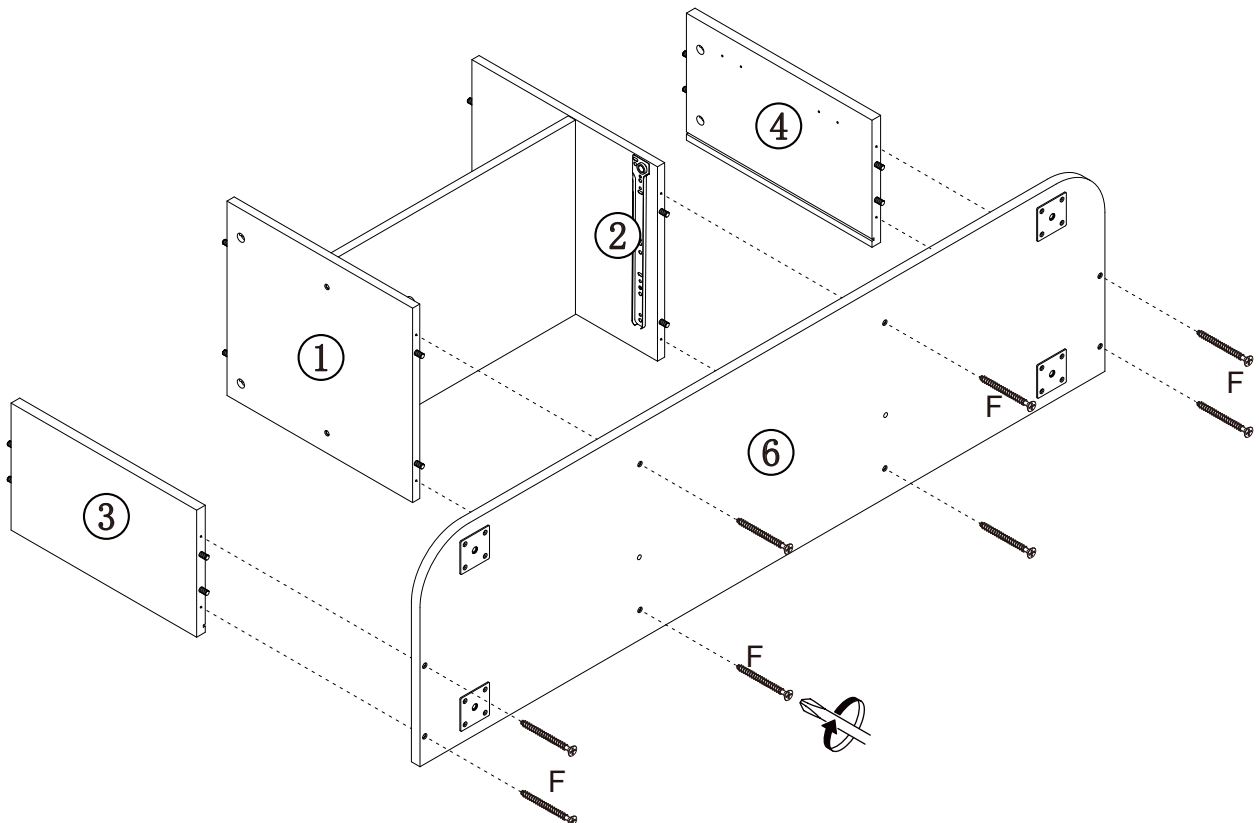
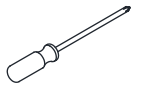
Una TV Stand, Oak/Walnut

CF_TV40377/NAT/WAL

STEP 5



STEP 6

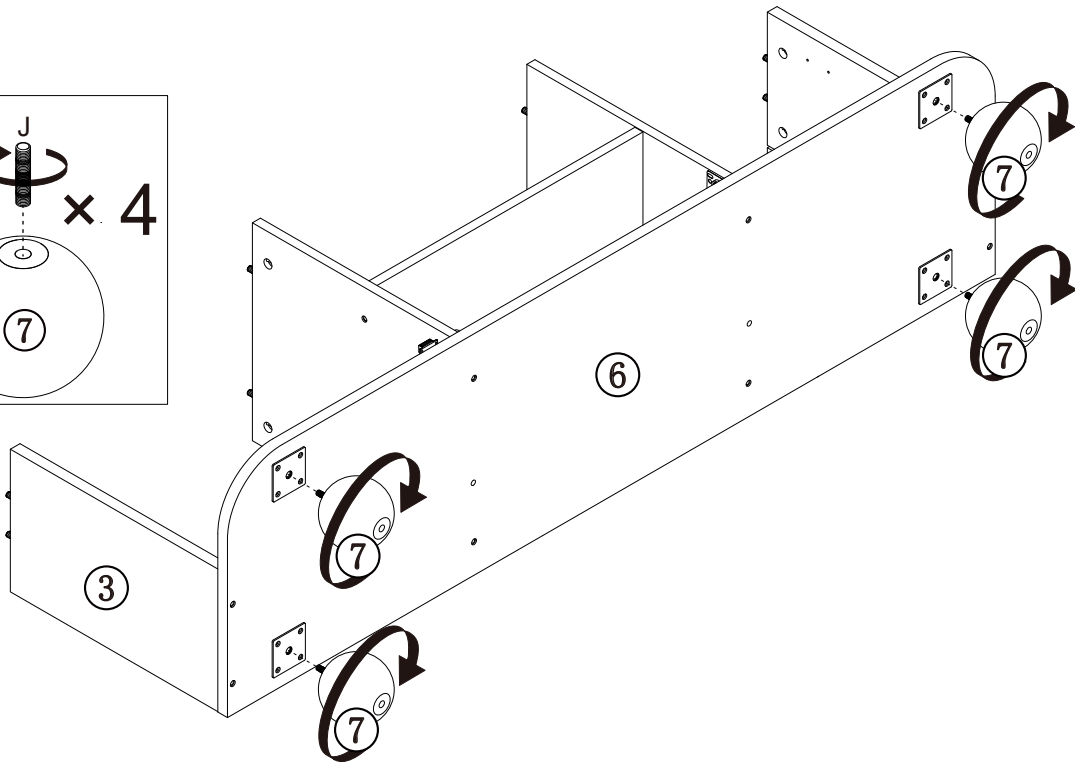
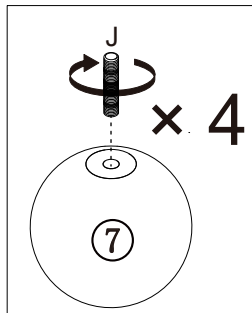




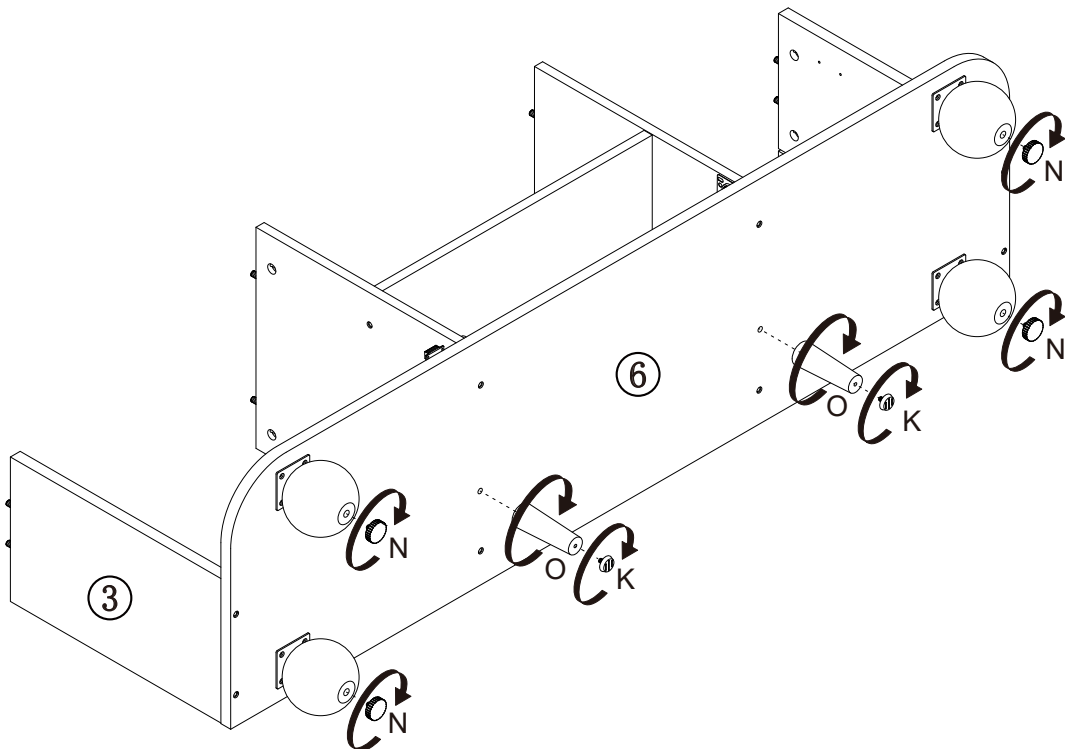
Una TV Stand, Oak/Walnut

CF_TV40377/NAT/WAL

STEP 7



STEP 8

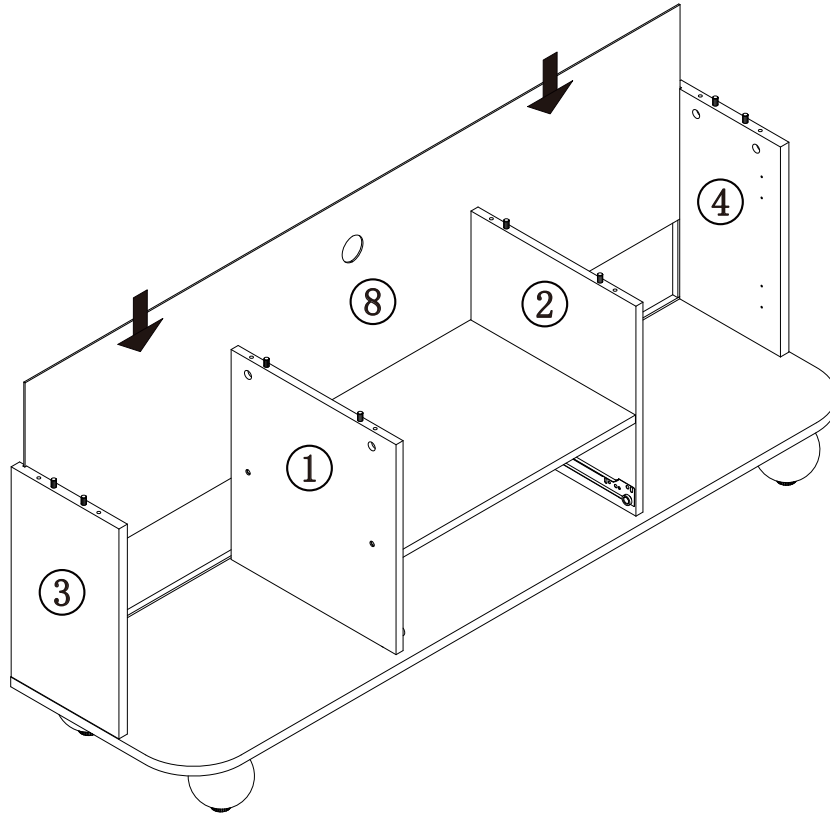




Una TV Stand, Oak/Walnut

CF_TV40377/NAT/WAL

STEP 9



STEP 10



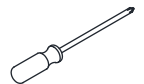
Ax8



Dx4

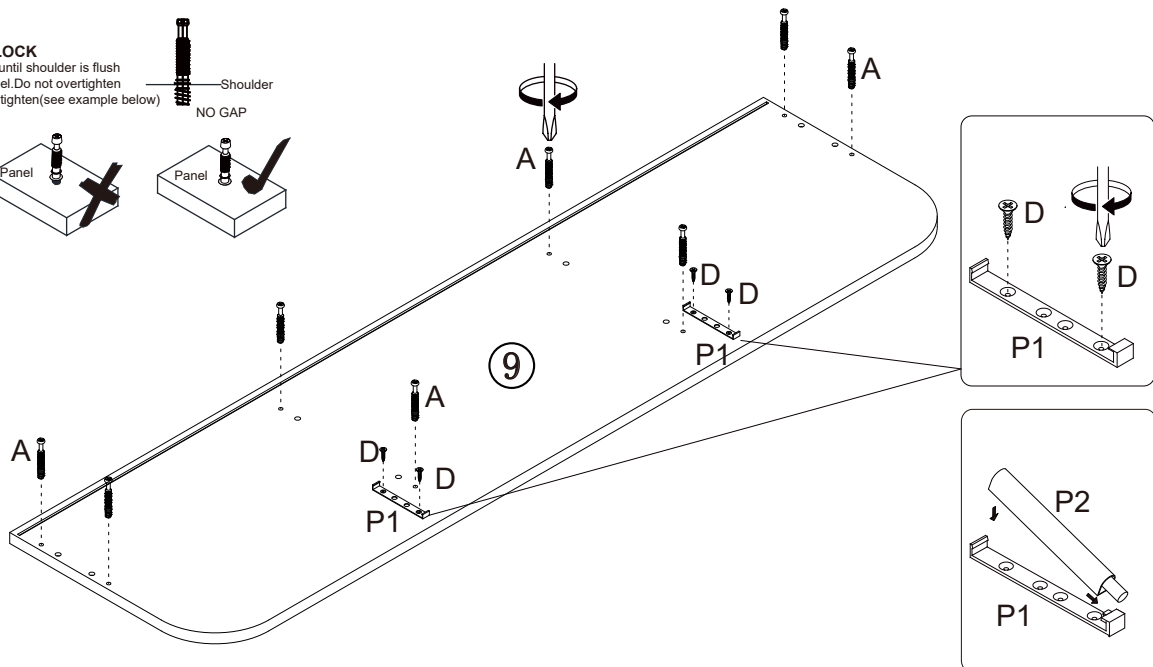
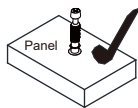
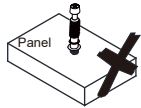
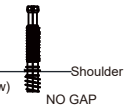


Px2



CAM-LOCK

Tighten until shoulder is flush with panel. Do not overtighten or undertighten (see example below)





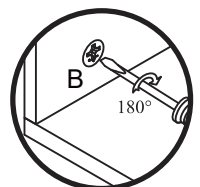
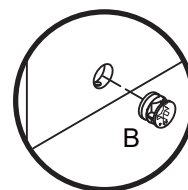
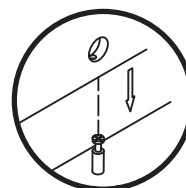
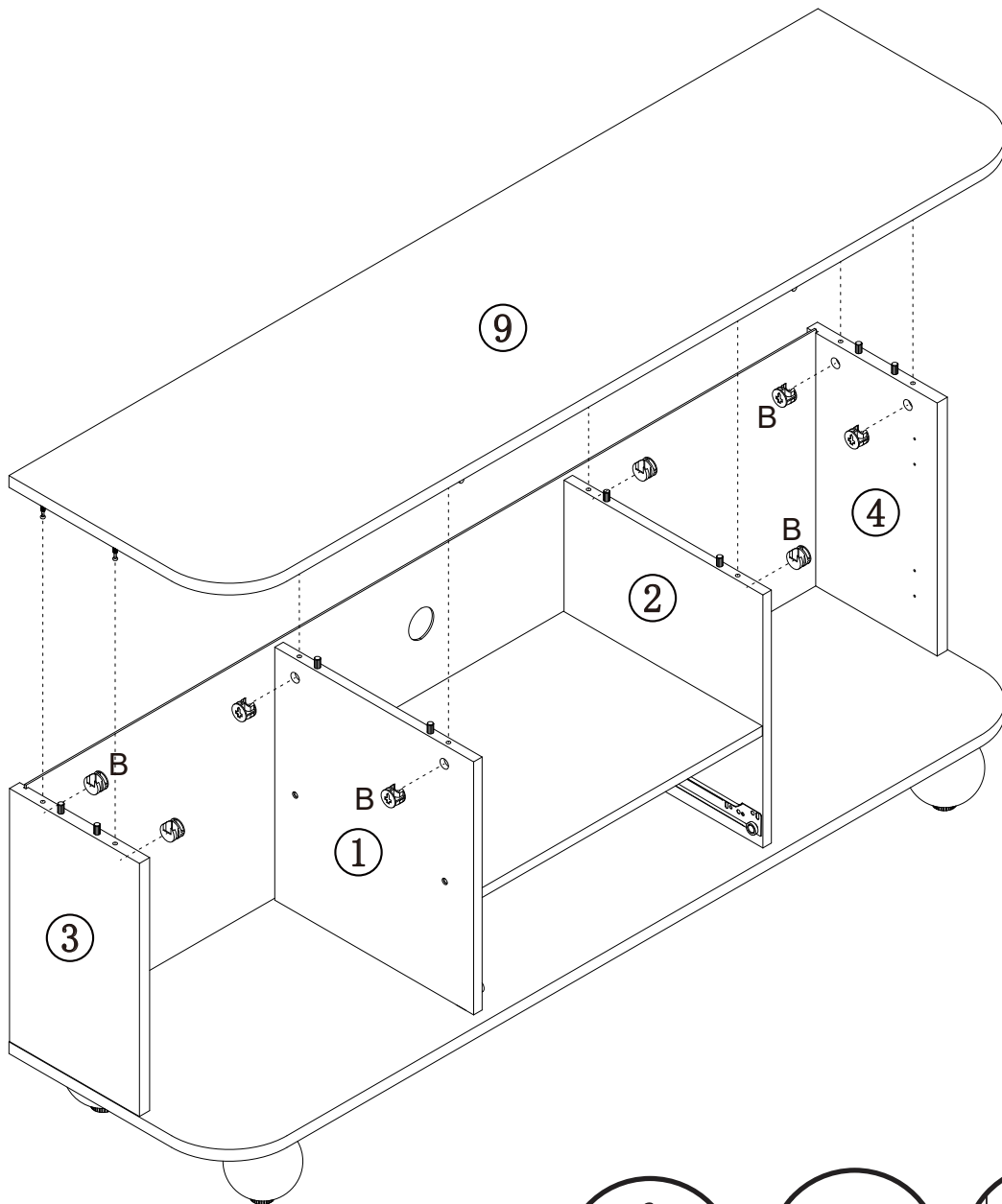
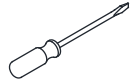
Una TV Stand, Oak/Walnut

CF_TV40377/NAT/WAL

STEP 11



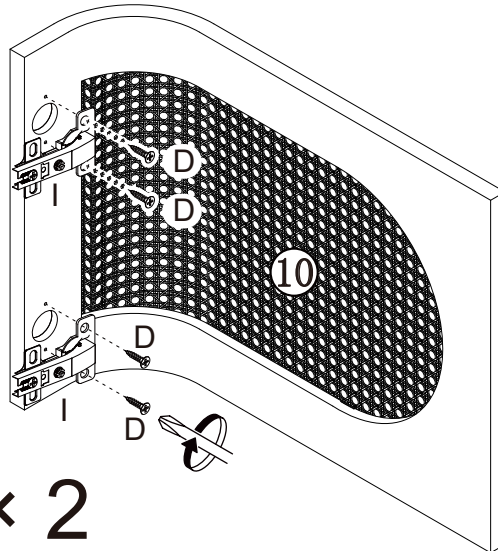
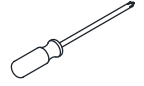
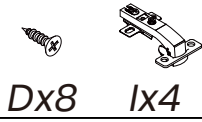
Bx8



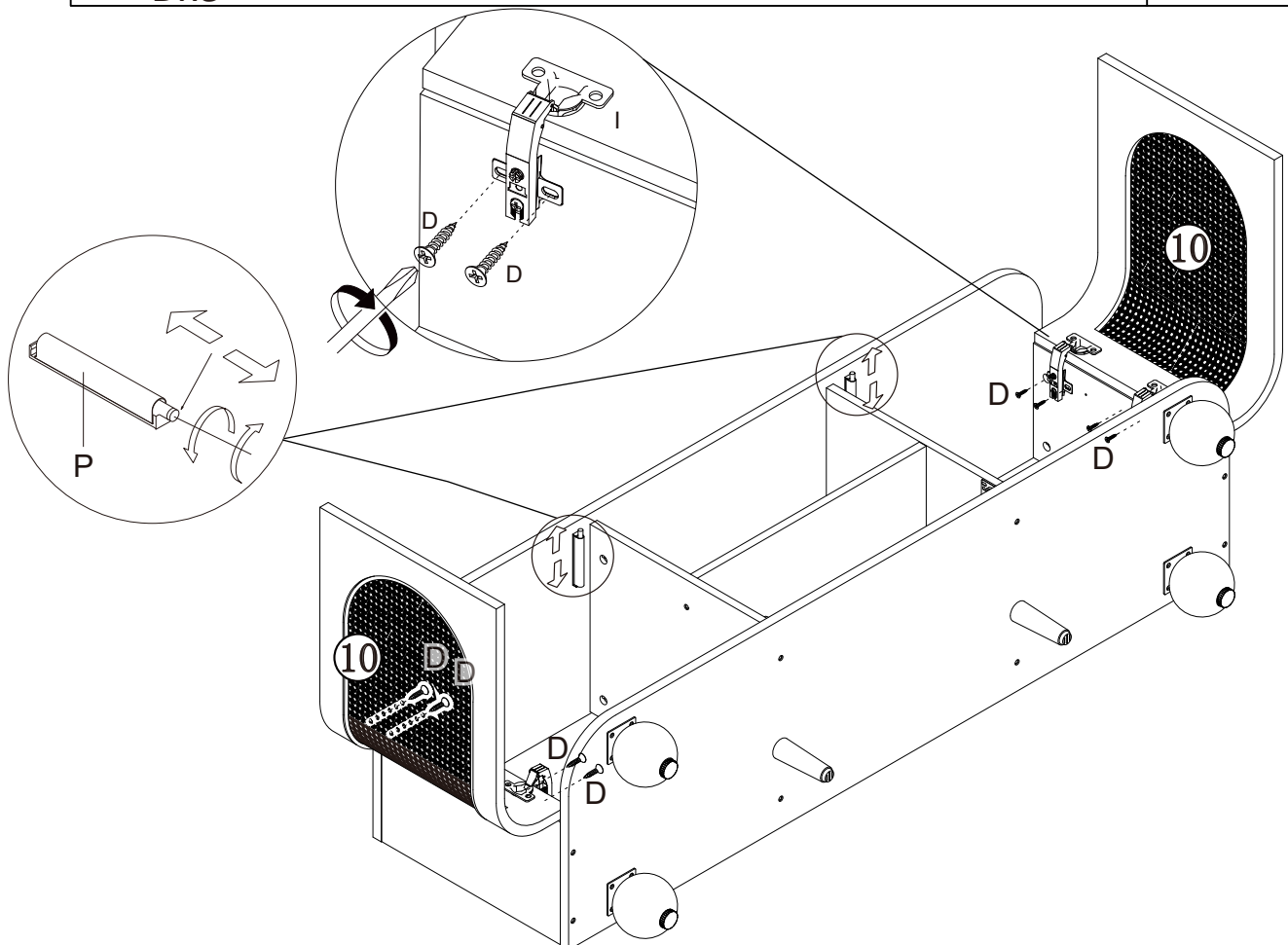
Una TV Stand, Oak/Walnut

CF_TV40377/NAT/WAL

STEP 12



STEP 13

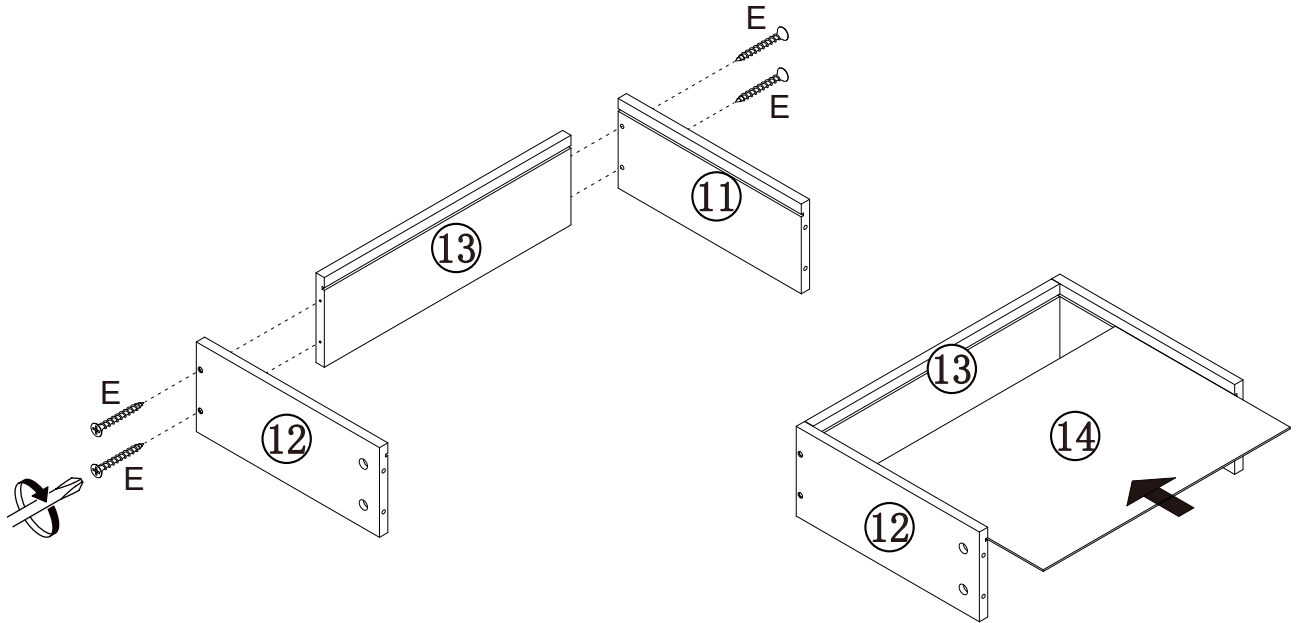




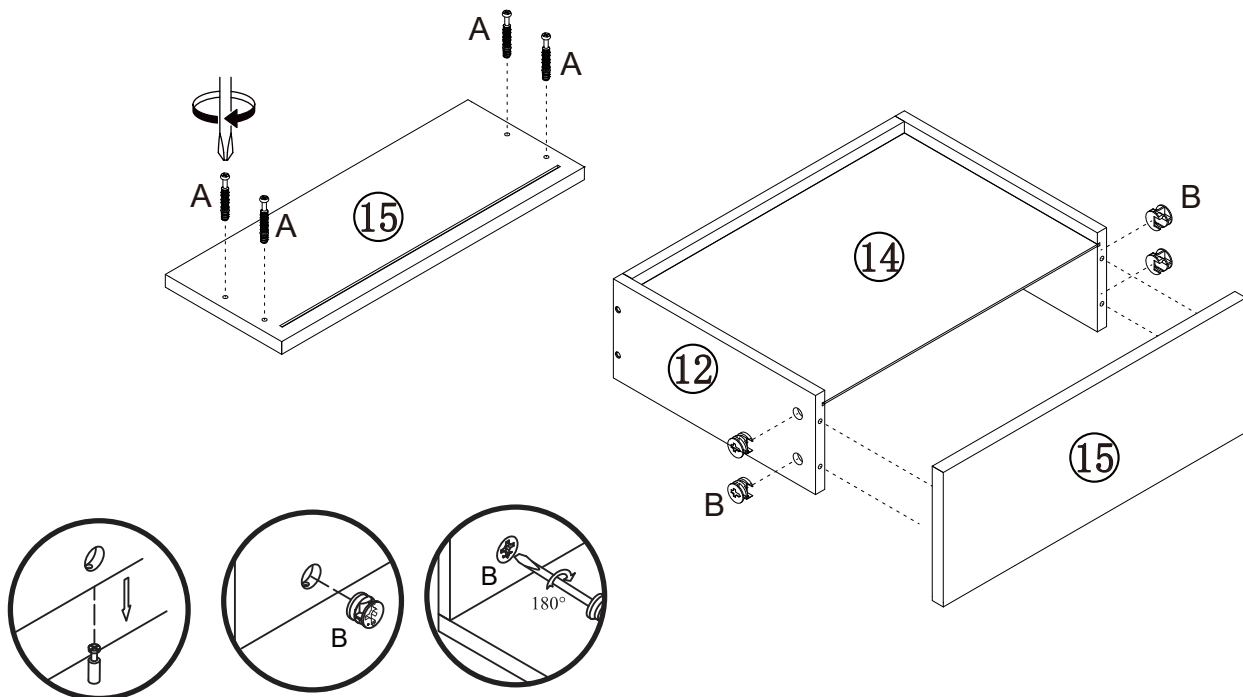
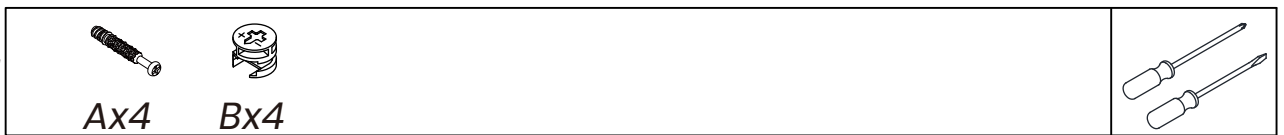
Una TV Stand, Oak/Walnut

CF_TV40377/NAT/WAL

STEP 14



STEP 15

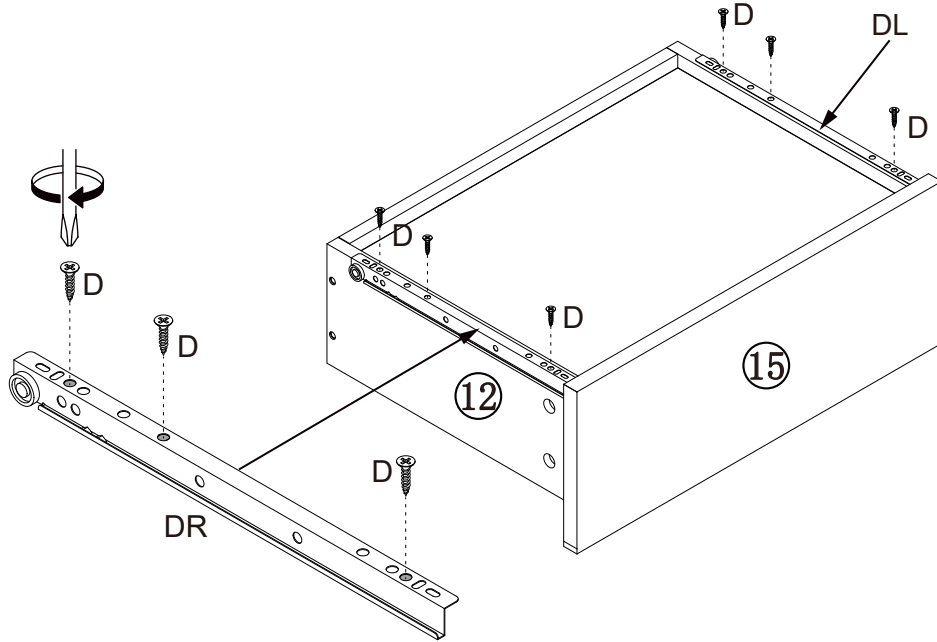




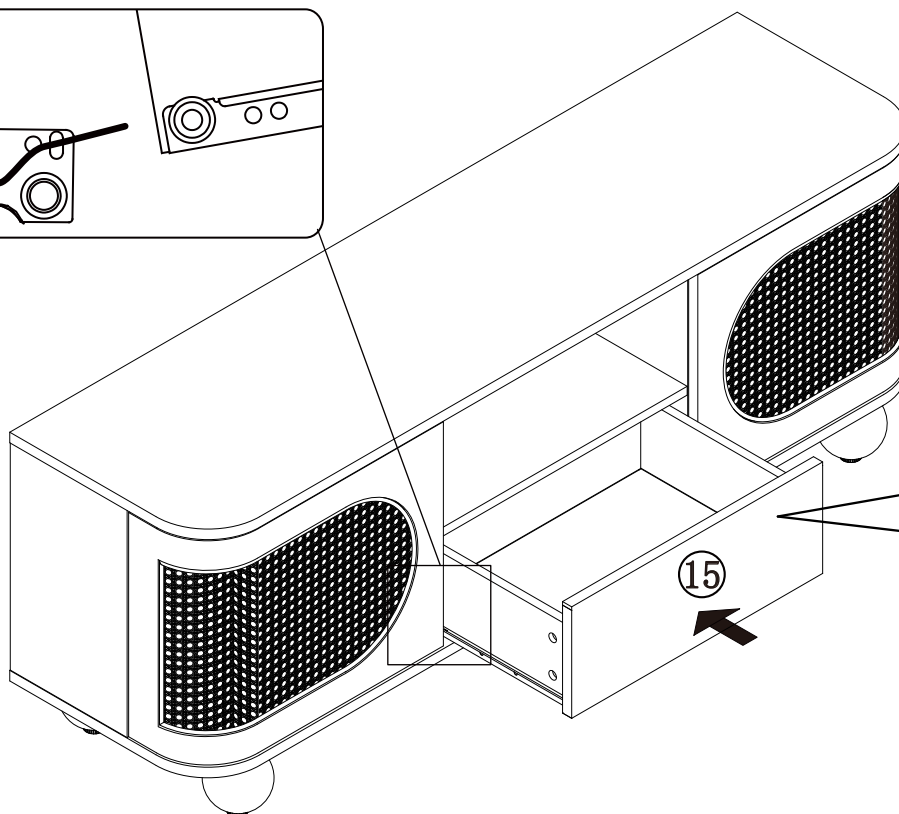
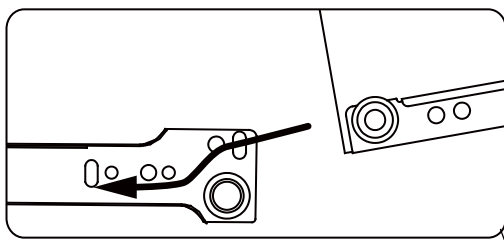
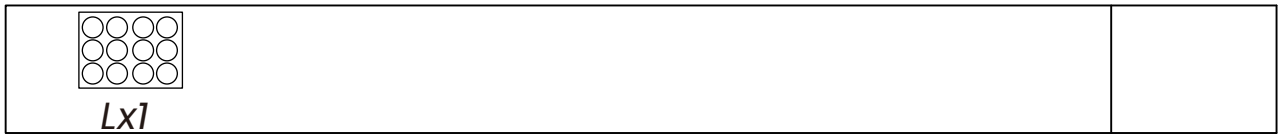
Una TV Stand, Oak/Walnut

CF_TV40377/NAT/WAL

STEP 16



STEP 17

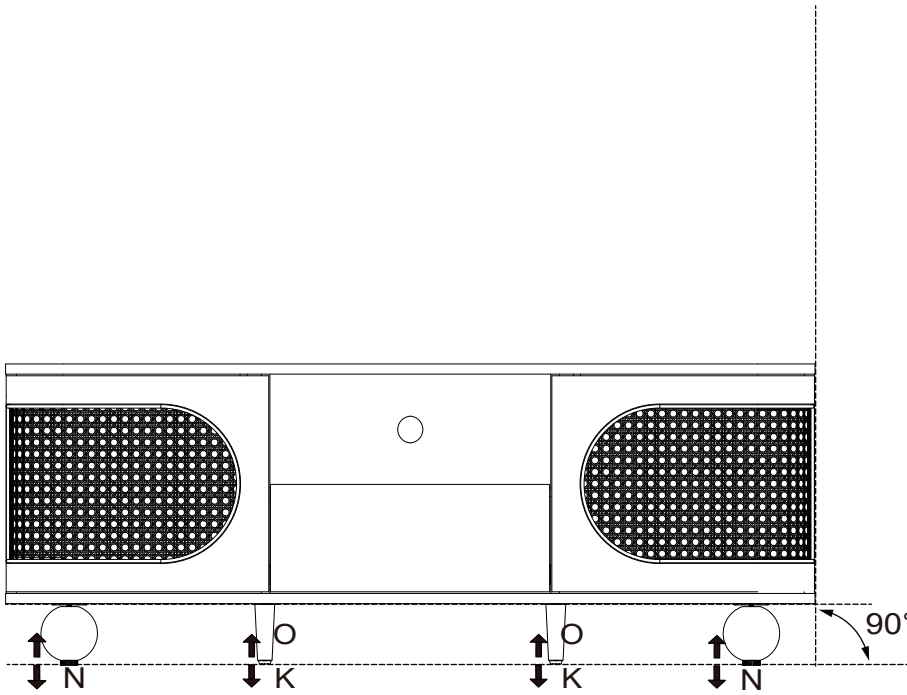




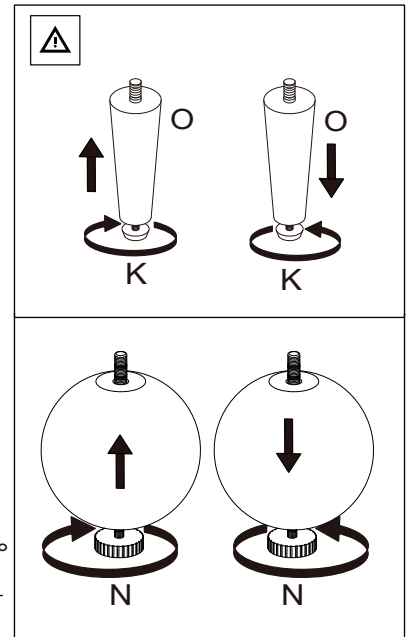
Una TV Stand, Oak/Walnut

CF_TV40377/NAT/WAL

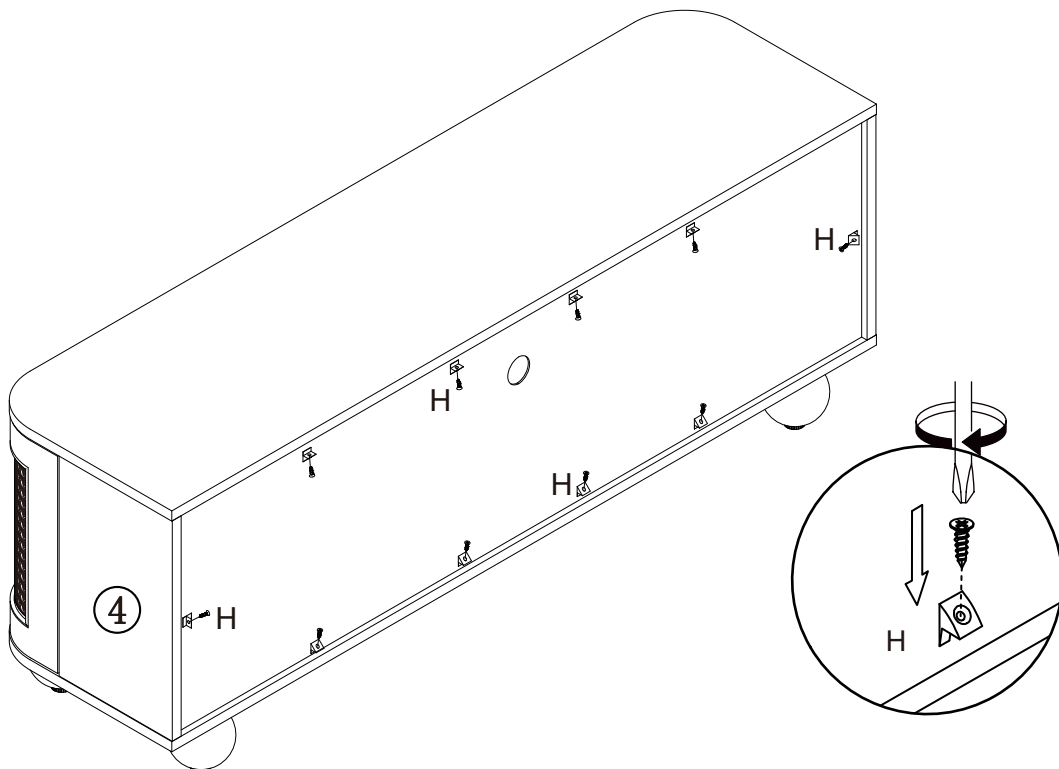
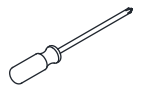
STEP 18



Please adjust the height of the legs to keep the bottom level.



STEP 19

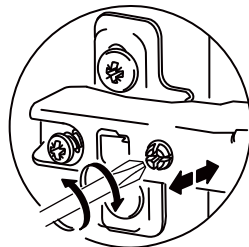
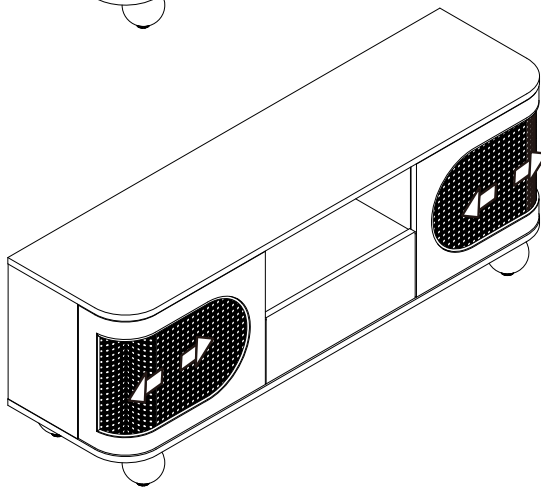
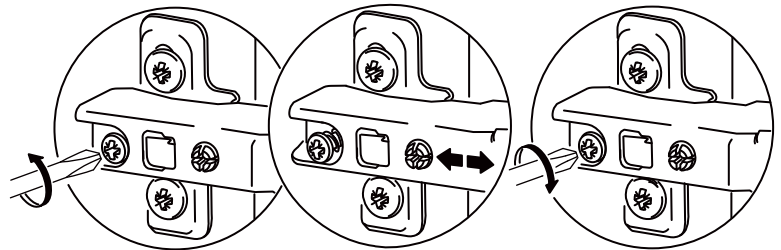
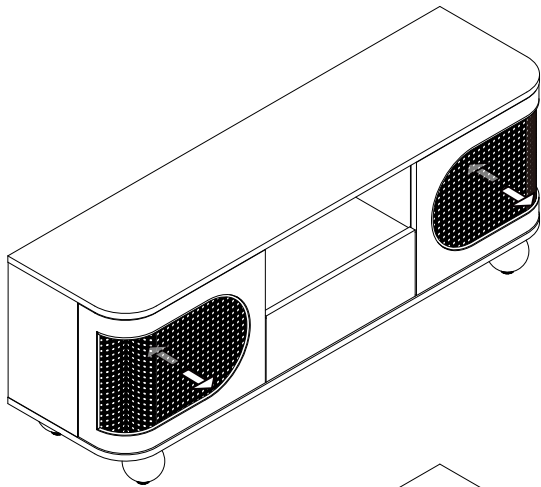
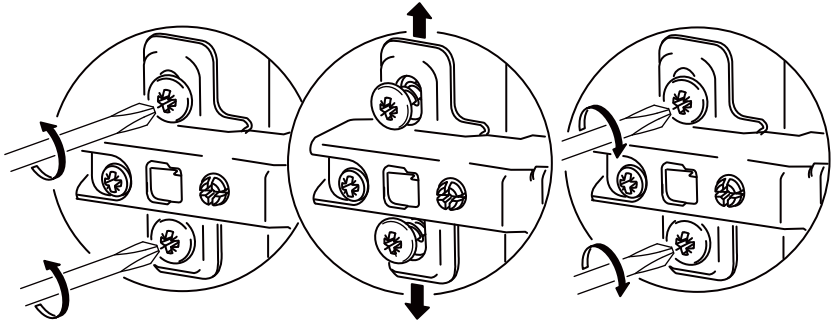
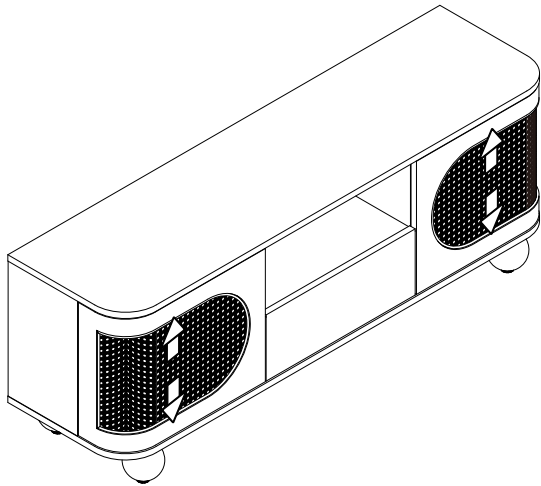
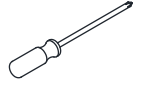




Una TV Stand, Oak/Walnut

CF_TV40377/NAT/WAL

STEP 20



If you find that the door panel is skewed and the door collides with other panels, please adjust the door panel immediately according to the steps in the above picture.