
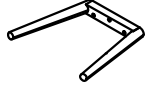


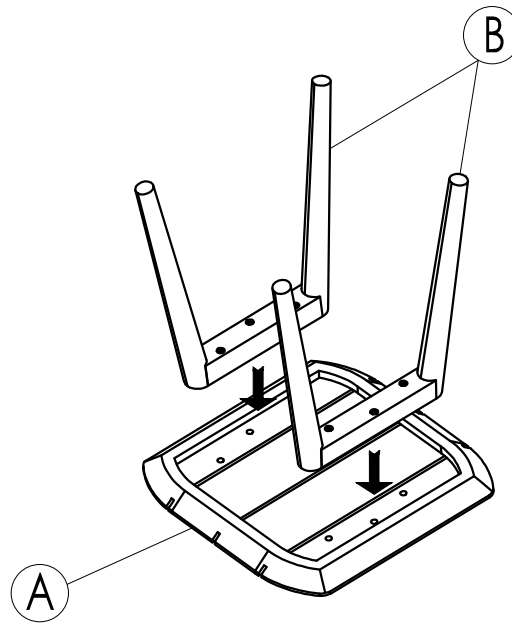


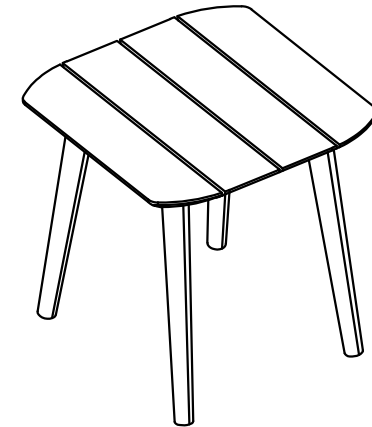
A		X 1
B		X 2
C	 M6*35	X 6
D		X 1



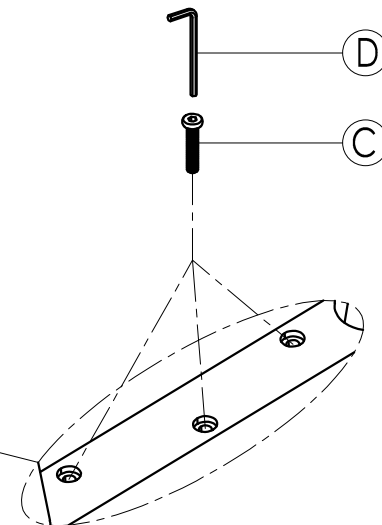
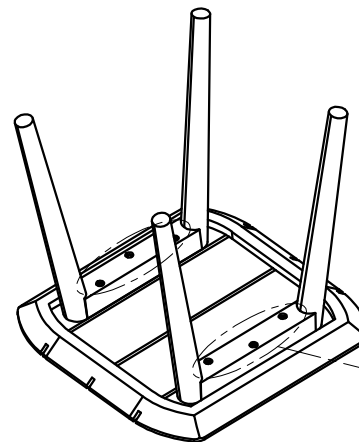
Lock the screws into 3/4 parts according to the instructions, after levelling the product, tighten all the screws at the end



① ③



②



NTH Degree
CLERKENWELL