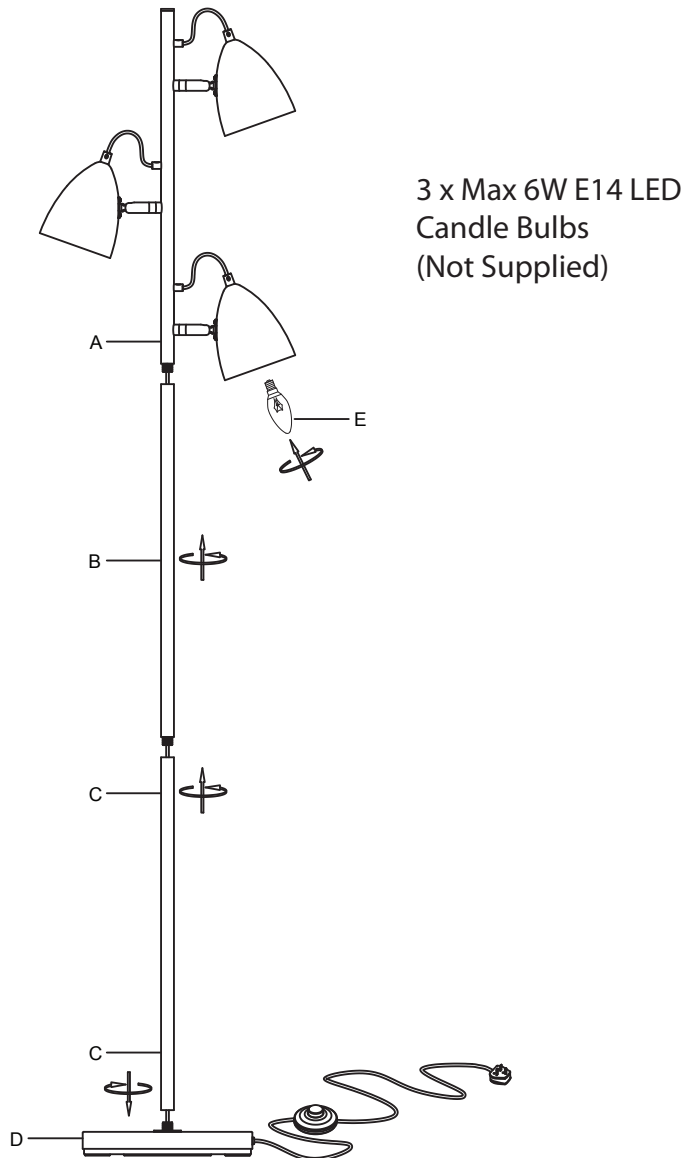


## Assembling the Floor lamp

Follow the diagram below to assemble the floor lamp.



## Switch on!

You may now switch the electricity back on at the mains.

## Cleaning care

The lamp should be cleaned with a soft, dry cloth only. Do not use polishes or abrasive cloths.

## Safety information

For your safety, please remember the following: Always switch off the supply before removing shades/covers, changing lightbulbs or cleaning.



This product should be disposed of responsibly at the end of its life. Please recycle where facilities exist. Check with your Local Authority or retailer for recycling advice (Waste Electrical and Electronic Equipment Directive)

UK  
CA

## HELPLINE

If you receive this item with parts broken or missing, please telephone:

0333 0050070

Please have ready your name, address, tel. no., product reference, where purchased and parts required. An answering service is in operation outside office hours and during busy periods.

We regret that we are unable to give advice on internal house wiring.

BHS, Gorse Mill, Gorse Street, Oldham, OL9 9RJ

EU AUTHORISED REPRESENTATIVE:  
AUTHORISED REP COMPLIANCE  
GROUND FLOOR  
71 LOWER BAGGOT STREET  
DUBLIN  
IRELAND  
D02 P593

