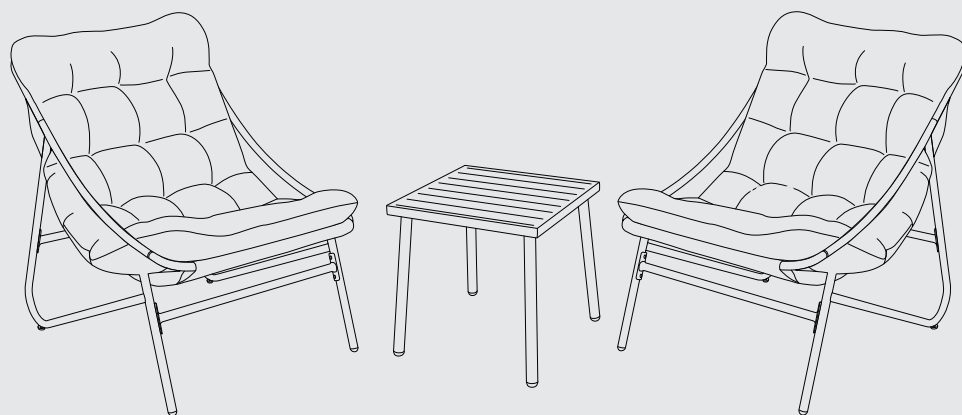


CHARLES
BENTLEY

EST. 1860



Bistro Set

INSTRUCTION MANUAL




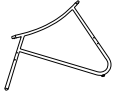
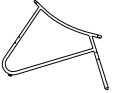

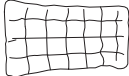


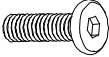


ASSEMBLY MANUAL

Please read and understand the following instructions.

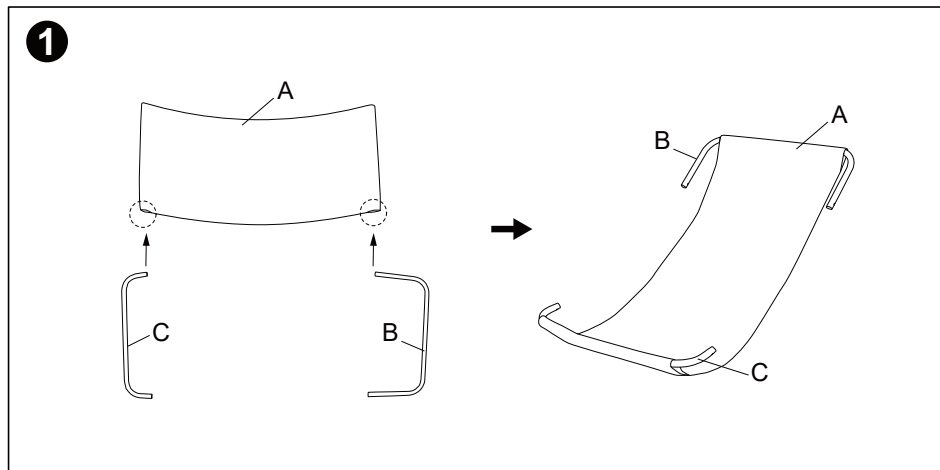
Failure to follow the instructions, improper installation, adjustment, alteration or lack of maintenance can cause injury or property damage.

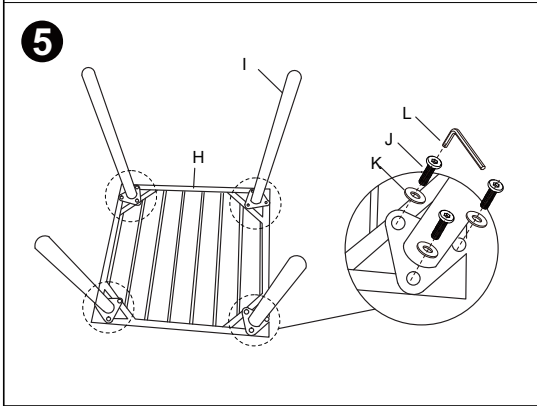
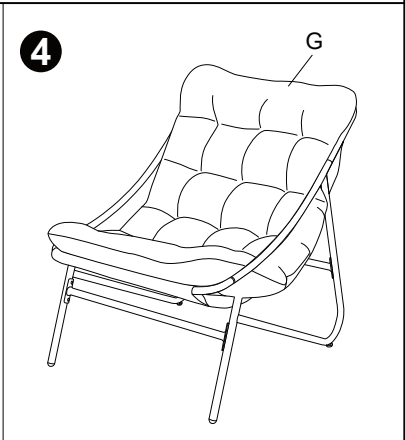
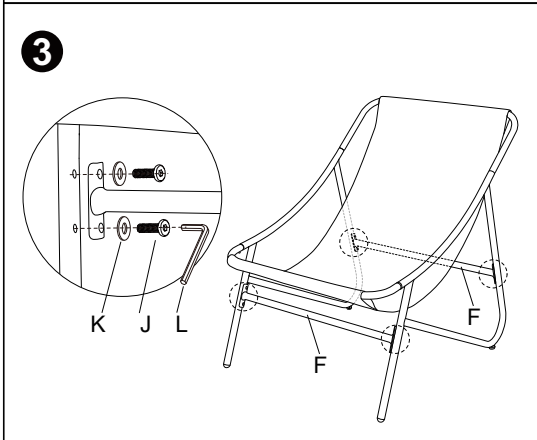
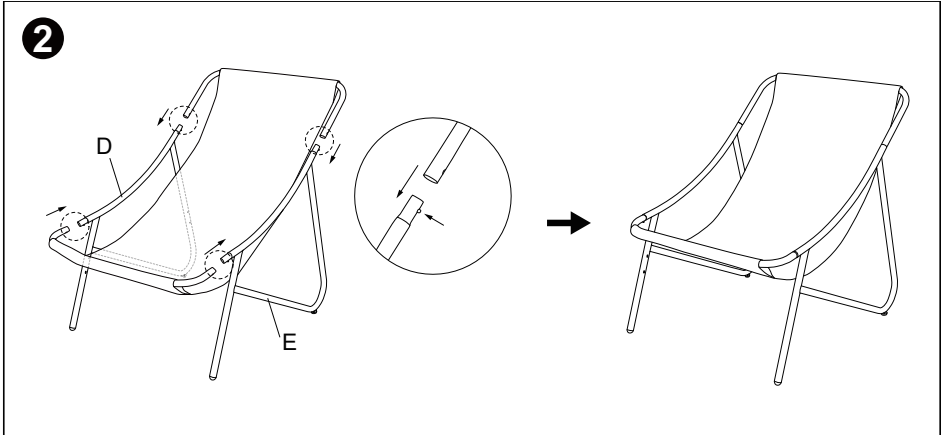
Do not allow children or pets near the assembly area.

PARTS

 A x 2	 B x 2	 C x 2	 D x 2
 E x 2	 F x 4	 G x 2	 H x 1
 I x 4	 J x 28	 K x 28	 L x 1

ASSEMBLY INSTRUCTIONS





CARE INSTRUCTIONS

STORAGE

When not in use, protect your furniture from prolonged sun exposure, extreme temperatures, and harsh weather conditions. Cover the furniture with a waterproof and UV-resistant cover, ensuring that it fits snugly and securely.

Remove and store cushions indoors. If possible, store the furniture in a sheltered dry area during the winter months or periods of heavy rain.

Prolonged coverage can potentially trap moisture and air, leading to adverse effects on the furniture's material and finish. To avoid this further, we recommend periodically removing the winter cover and allowing the furniture to breathe to ensure that your furniture retains its charm and optimal condition during the winter months.

FABRIC CARE

- To surface clean the fabric, wipe with mild soap and water, dry thoroughly.
- Wipe up any spills immediately and always refer to the care label sewn to the cushion.
- Do not use bleach, acid, solvents or abrasive cleaners on this item.
- Do not scrape the sofa with any sharp tool.

METAL CLEANING & MAINTENANCE

- **Cleaning** Regular cleaning is crucial to removing dirt, dust, and other contaminants that can accumulate on the furniture's surface. Use a mild dish soap and warm water solution, applying it with a soft cloth or sponge. Avoid using abrasive cleaners or detergents, as they can damage the powder coating. If necessary, a plastic scraper can be used to gently remove stubborn grime.
- **Drying** After cleaning, it's essential to dry the furniture thoroughly to prevent water spots and corrosion. Use a clean, dry cloth to wipe down the surface, paying attention to areas where water tends to collect. If the furniture is exposed to particularly humid environments, consider using a fan or blower to accelerate drying.
- **Rust Prevention** Powder coating provides excellent corrosion resistance, but it's not completely immune to rust. To prevent rust formation, inspect the furniture regularly for any scratches or cracks in the coating. If any are found, apply a small amount of touch-up paint specifically designed for powder-coated surfaces.
- **Touch-Up Painting** Over time, the powder coating may experience wear and tear. To restore the furniture's appearance and protect it from corrosion, touch-up painting may be necessary. Use a paint that matches the original coating and follow the manufacturer's instructions carefully. Apply thin coats, allowing each coat to dry completely before applying the next.
- **Avoid Chemicals** Harsh chemicals can damage the powder coating, causing discolouration or peeling. Avoid using cleaners containing chlorine, bleach, or strong acids. If any chemical spills occur, wipe them up immediately with a damp cloth and rinse the area with clean water.

MAXIMUM USER WEIGHT:

110KG PER CHAIR

charlesbentley.com

Charles Bentley & Son Ltd. Loughborough, LE11 5TP, UK

For EU Enquiries Contact: Authorised Rep Compliance Ltd., Ground Floor, 71 Lower Baggot Street, Dublin, D02 P593, Ireland
www.authorisedrepcompliance.com

GLGFCUSHBISTTR / GLGFCUSHBISTGR