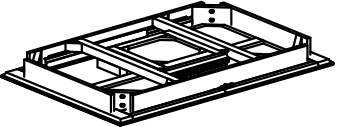
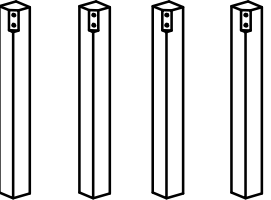


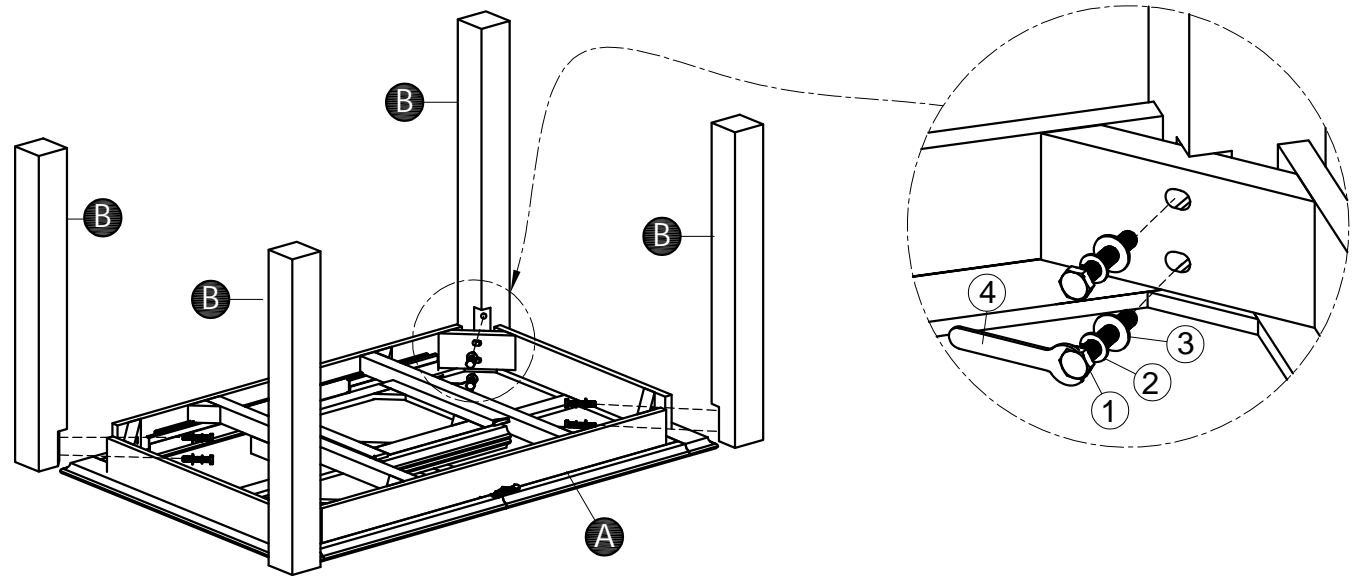
ASSEMBLY INSTRUCTION

MOR093-Ext dining table 1200-1550 x 800 x 760 KD





No	Name of Component	Q.ty	STEP 1
----	-------------------	------	--------

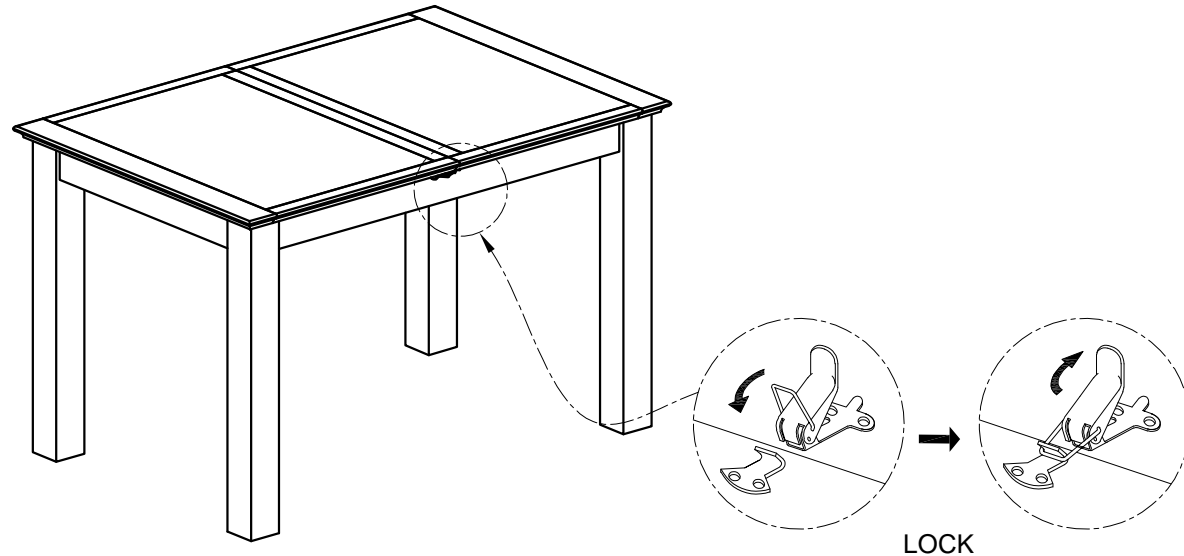
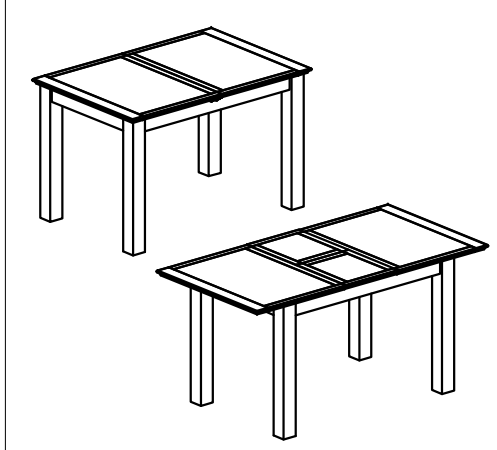
A	 Top Frame	1
----------	--	---

B	 Legs	4
----------	---	---



No	Name of Hardware	Q.ty	FINAL
----	------------------	------	-------

1	Bolts M10x60 	8
2	Spring Washers 	8
3	Flat Washers 	1
4	Wrench 	1

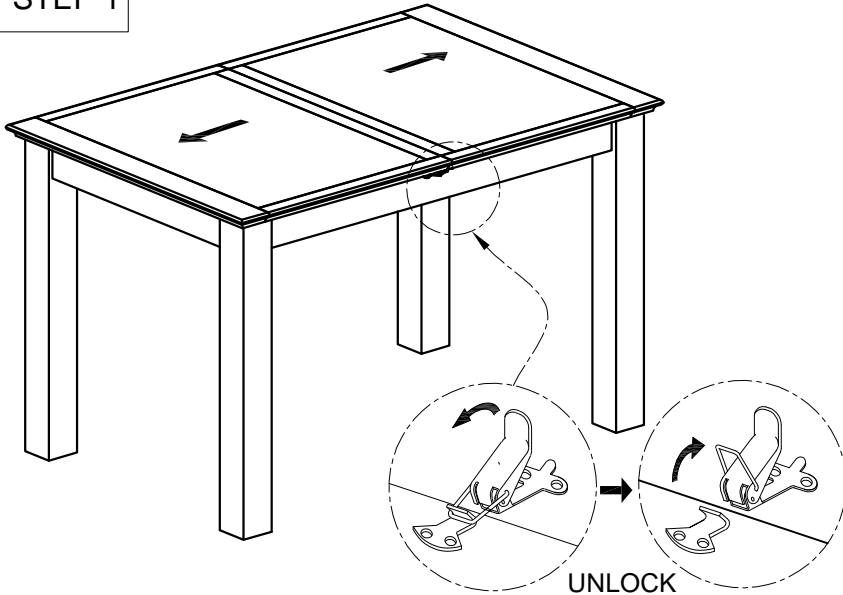


ASSEMBLY INSTRUCTION

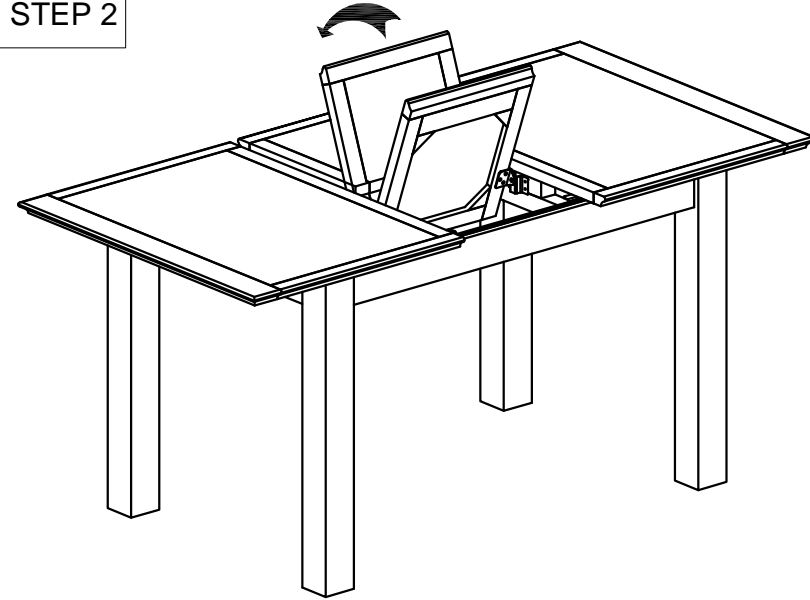
MOR093-Ext dining table 1200-1550 x 800 x 760 KD

EXTEND THE TABLE: When opening or closing the table :
Please pull/push with both hands using equal strength, while standing at the head of the table

STEP 1



STEP 2



FINAL

