



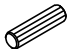





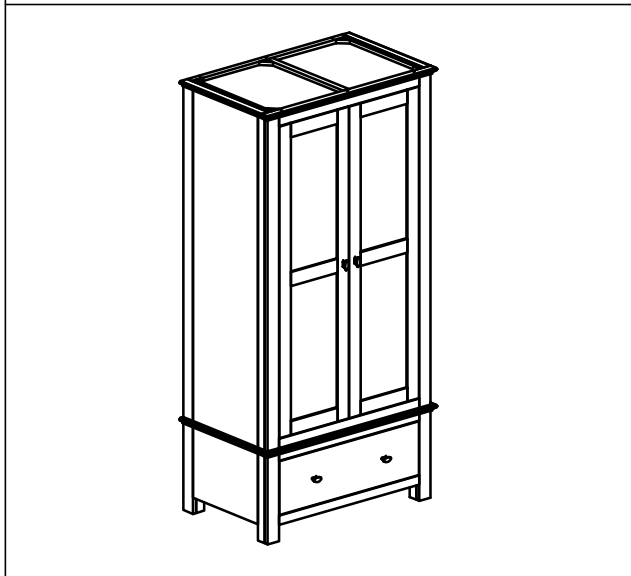


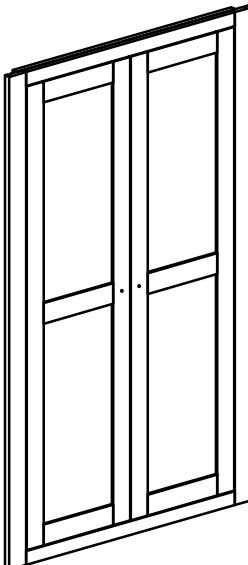
# ASSEMBLY INSTRUCTION

## MOR032-DOUBLE ROBE WITH 1 DRAWER KD

No	LIST OF HARDWARE	Q.ty (pcs)
①	Bolts M6x30 	10
②	Flat Washers 	10
③	Allen key K4 	1
④	Screw Ø4 x 30 	26
⑤	Wooden Dowel Ø8x30 	1
⑥	Handles with Bolts 	2
⑦	Bracket 	2
⑧	Tie 	2
⑨	Screw Ø4 x 20 	6

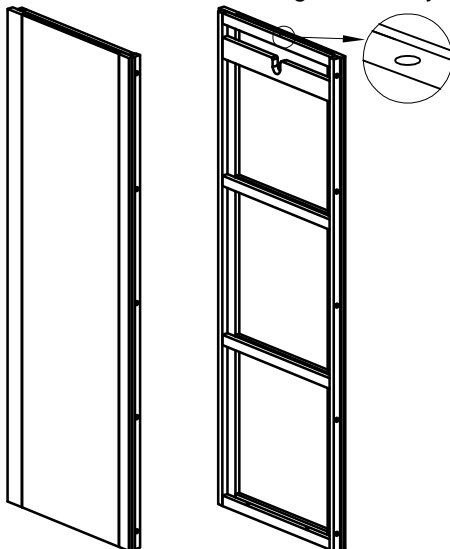
Screwdriver (not included) 



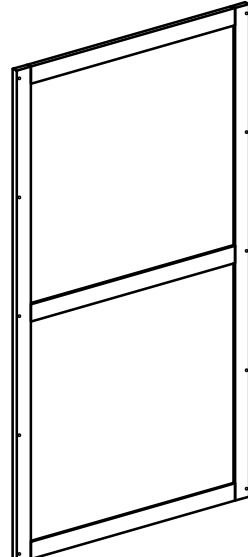


**A** Front Frame : x1

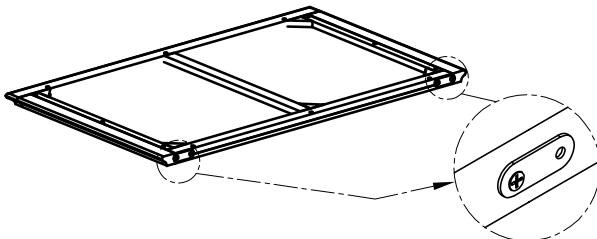
The dowel hole location on the right side only



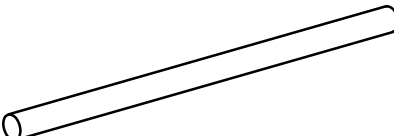
**B** Side Frame: x 2 ( left -right)



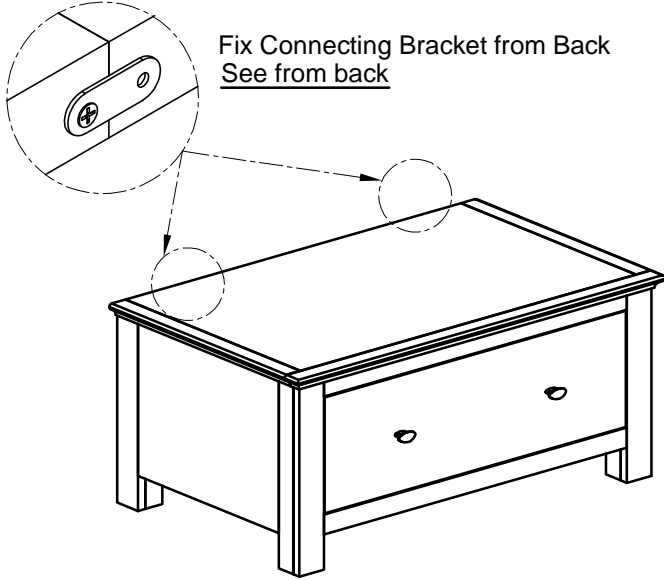
**C** Back Frame: x 1



**D** Top Frame: x 1



**E** Hanging: x 1



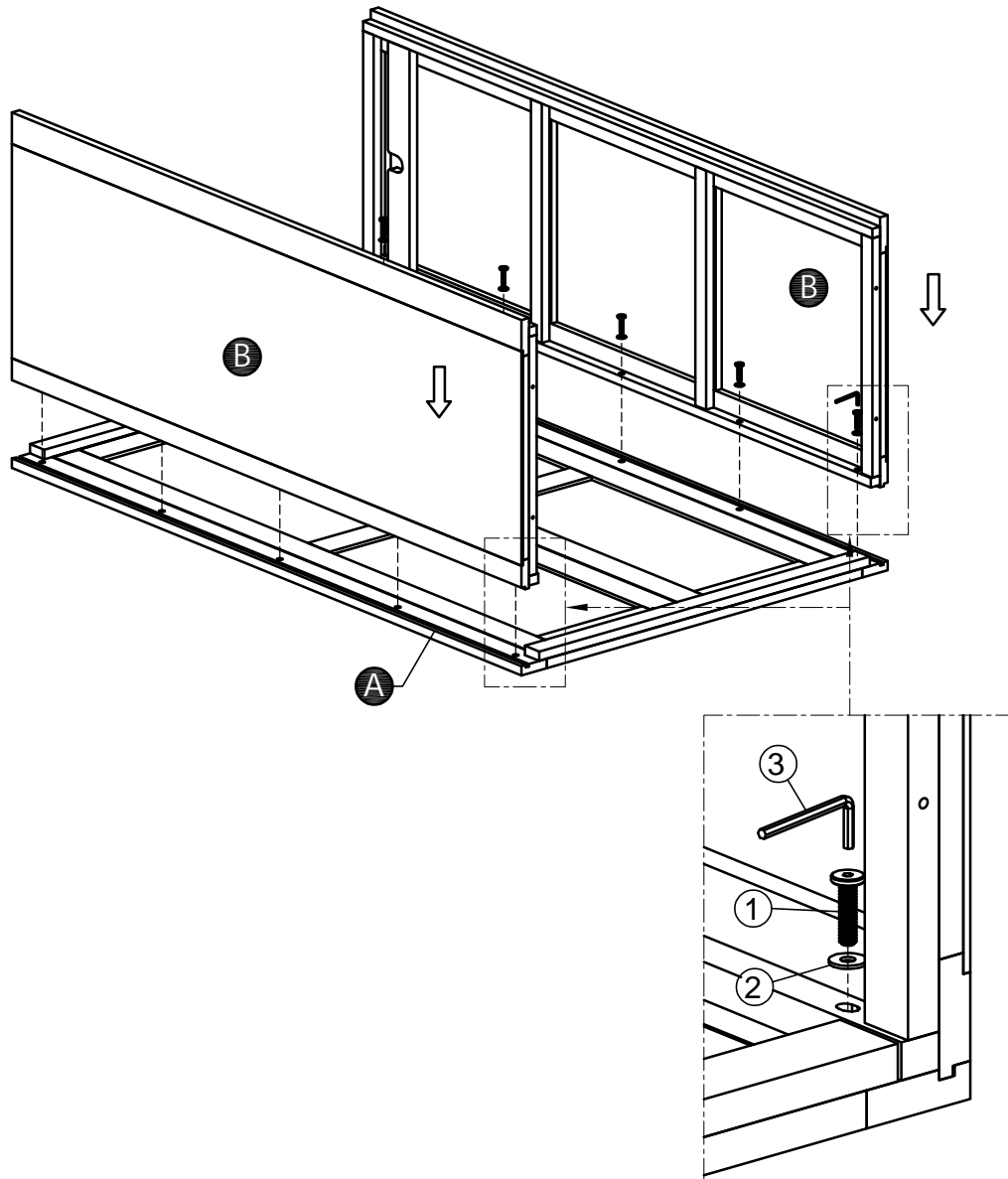
**F** Base: x 1

Fix Connecting Bracket from Back  
See from back

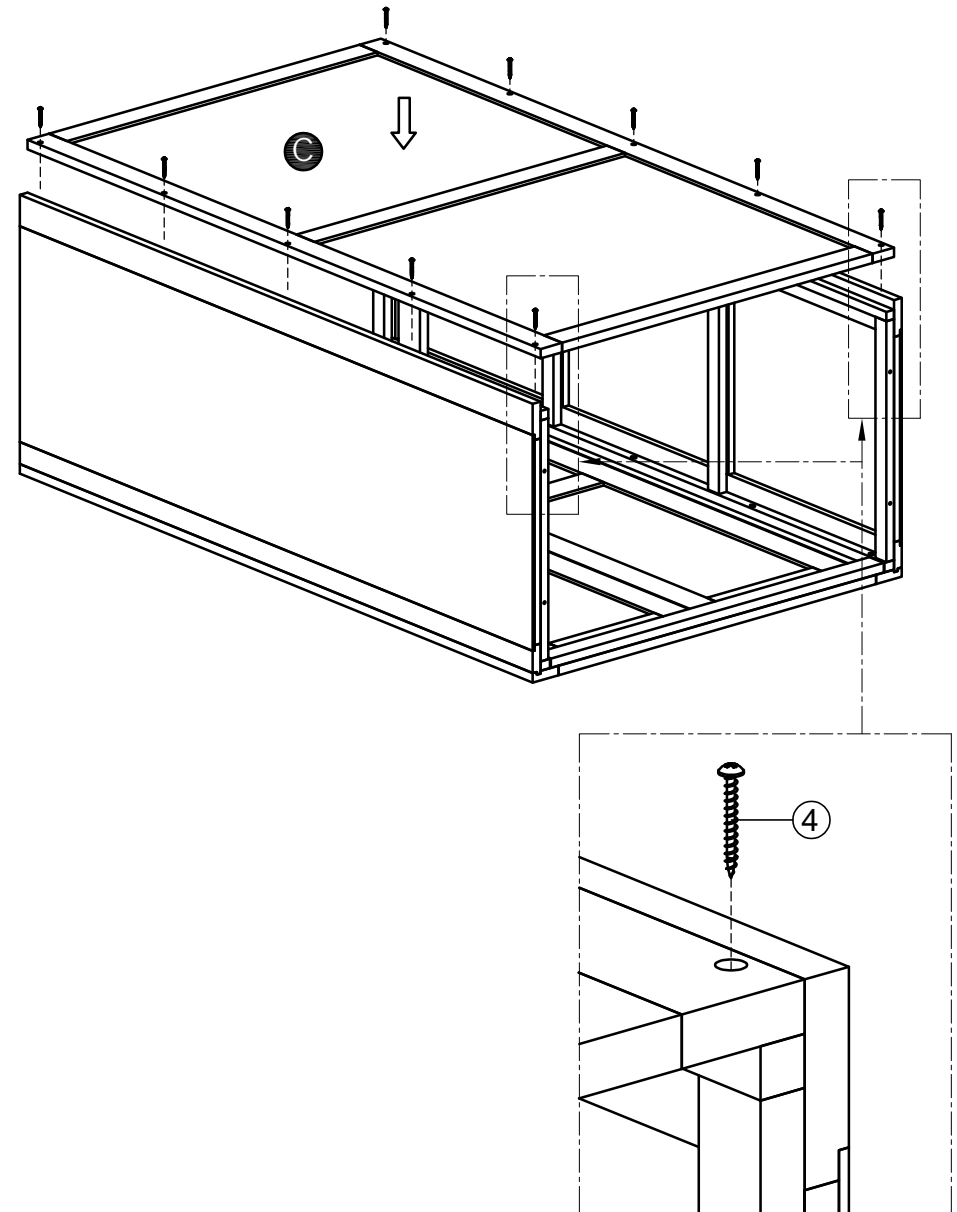
# ASSEMBLY INSTRUCTION

## MOR032-DOUBLE ROBE WITH 1 DRAWER KD

### STEP 1



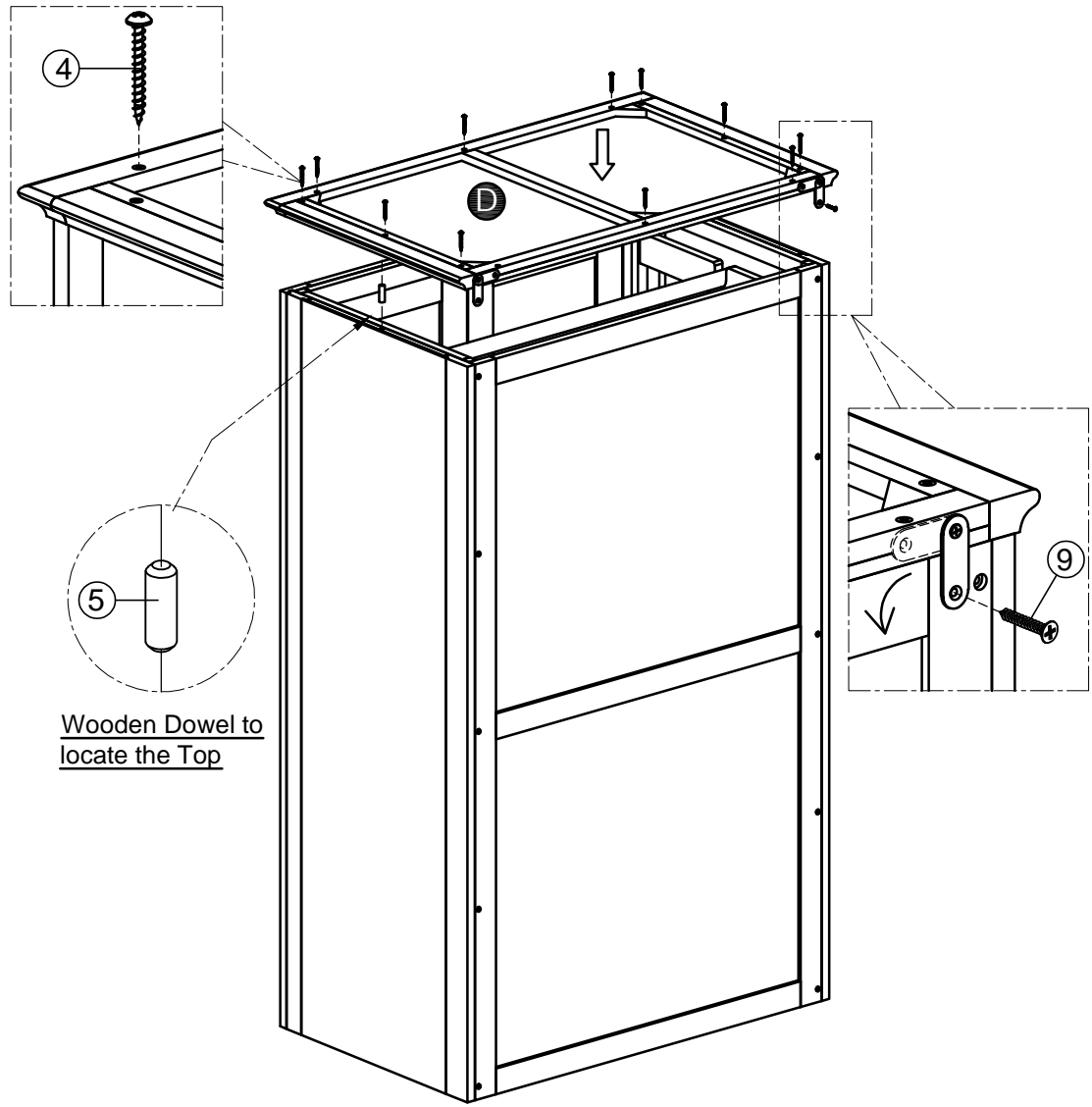
### STEP 2



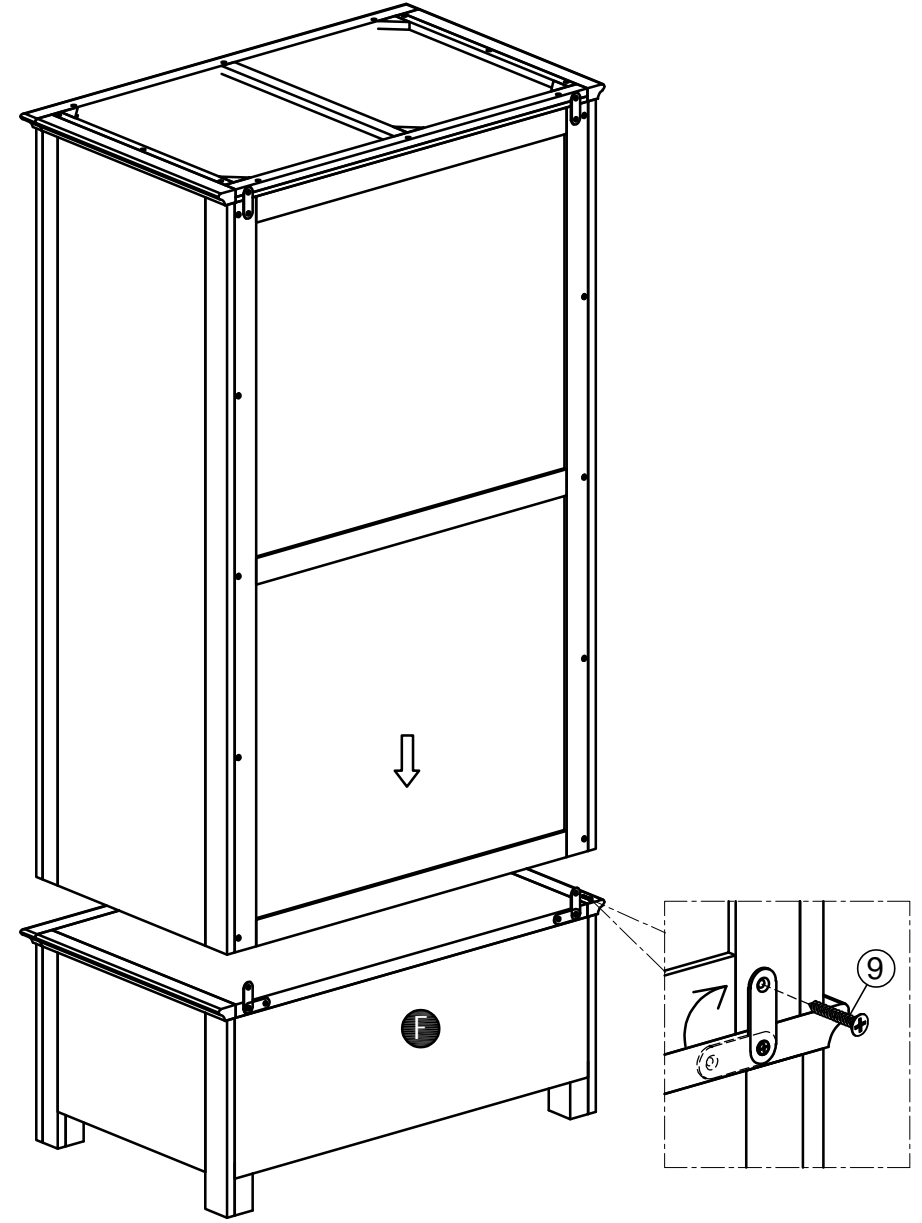
# ASSEMBLY INSTRUCTION

## MOR032-DOUBLE ROBE WITH 1 DRAWER KD

### STEP 3

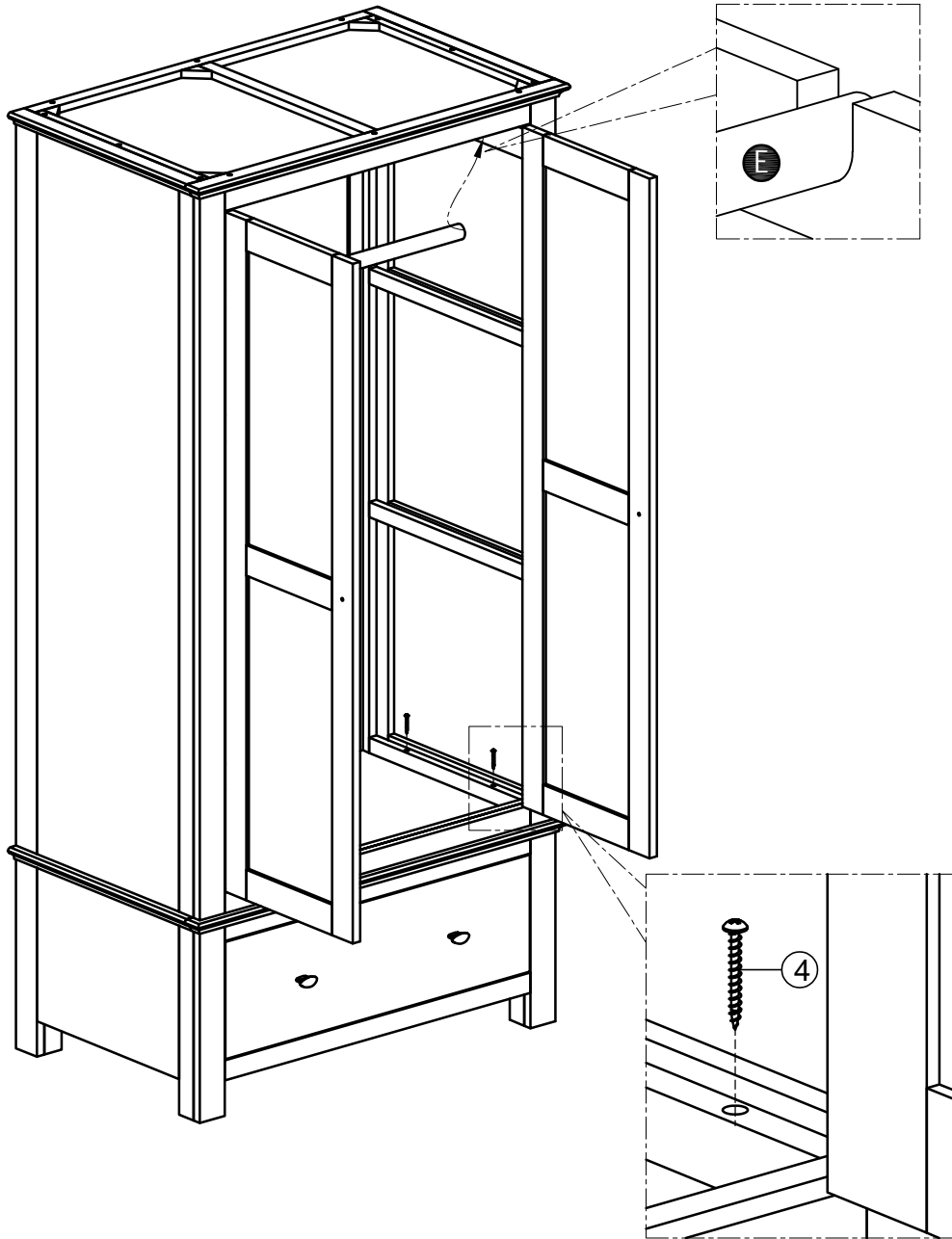


### STEP 4

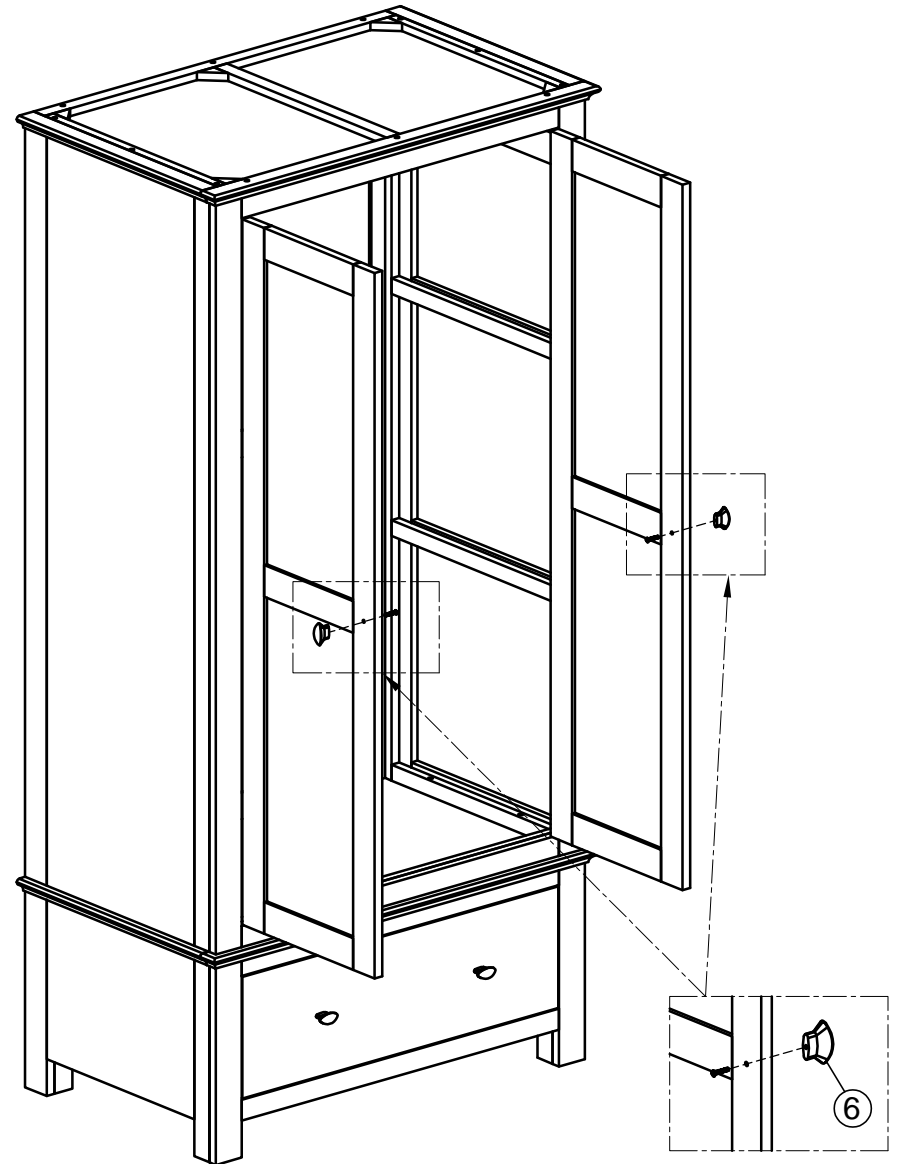


ASSEMBLY INSTRUCTION  
MOR032-DOUBLE ROBE WITH 1 DRAWER KD

STEP 5

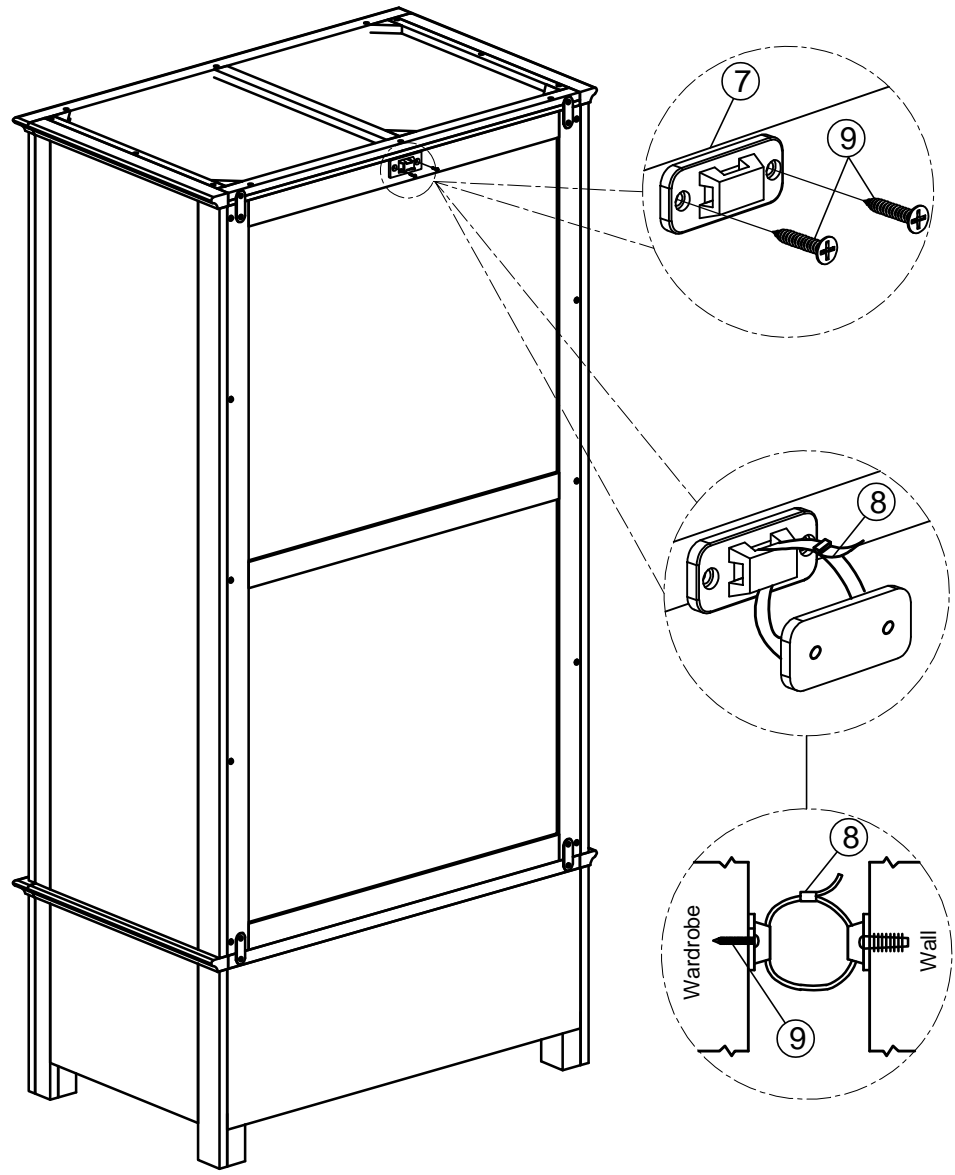


STEP 6



ASSEMBLY INSTRUCTION  
MOR032-DOUBLE ROBE WITH 1 DRAWER KD

STEP 7



FINAL

