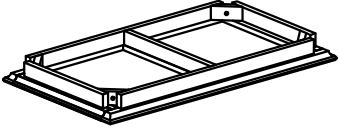
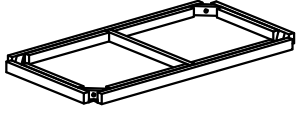


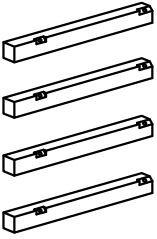
# ASSEMBLY INSTRUCTION

## MOR069-COFFEE TABLE WITH SHELF KD

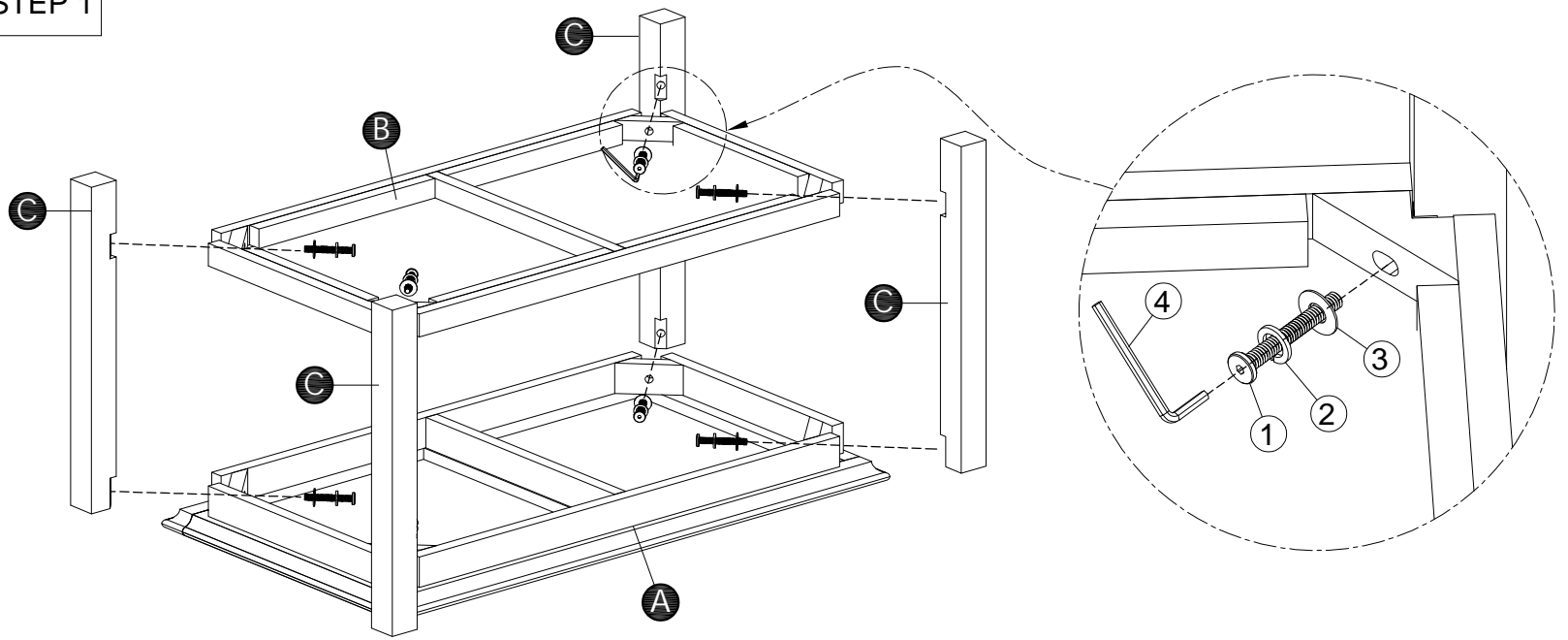
No	Name of Component	Q.ty
----	-------------------	------

<b>A</b>	 Top Frame	
----------	------------------------------------------------------------------------------------------------	--





<b>B</b>	 Shelf Frame	1
----------	--------------------------------------------------------------------------------------------------	---

<b>C</b>	 Legs	4
----------	--------------------------------------------------------------------------------------------	---

**STEP 1**



**FINAL**

No	Name of Hardware	Q.ty
<b>1</b>	Bolts M6x50 	8
<b>2</b>	Spring Washers 	8
<b>3</b>	Flat Washers 	8
<b>4</b>	Allen key K4 	1

