





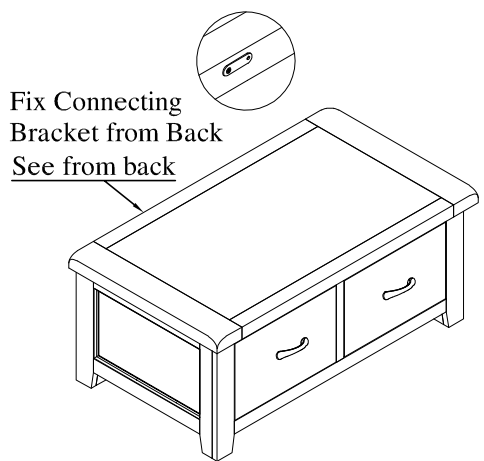
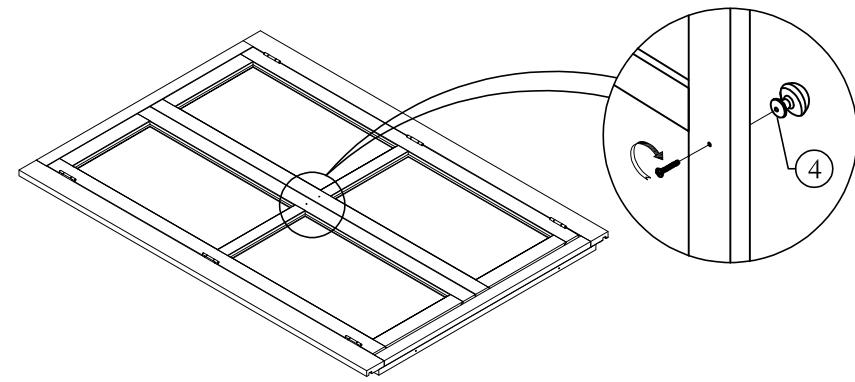


ASSEMBLY INSTRUCTION TRIPLE ROBE WITH 3 DRAWERS

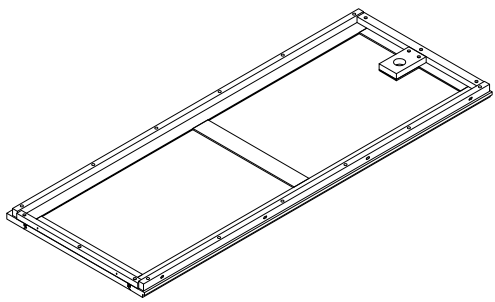
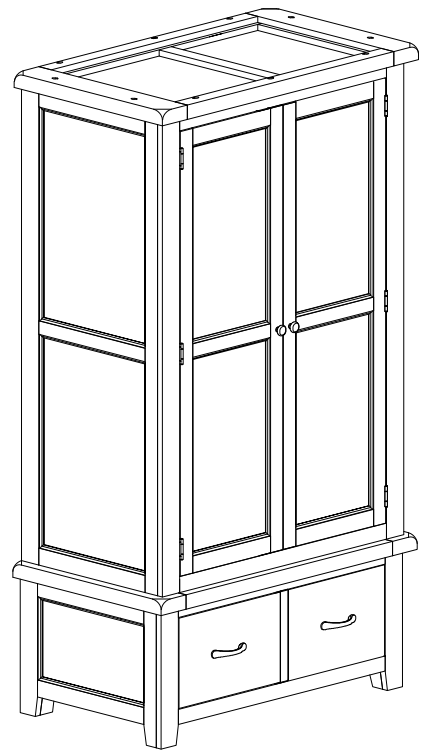
No	LIST OF HARDWARE	Q.TY(pcs)
1	Bolts (M6x30mm) 	26
2	Allent keys 	1
3	Flat Washers (M6x14mm) 	26
4	Handle with bolts 	2 set
5	Screw (M4x30) 	6
6	Screw (M3x15) 	2



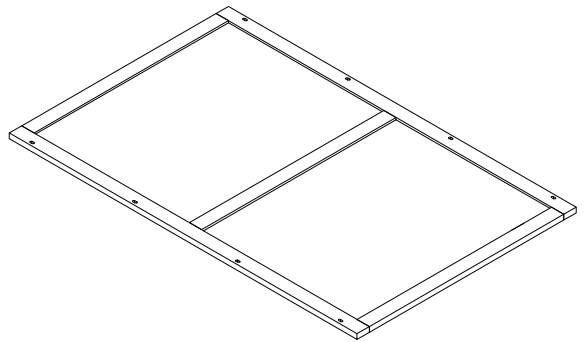
Ax1- BASE



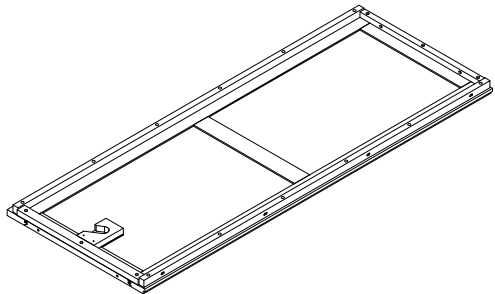
Bx1 - FRONT FRAME WITH DOOR



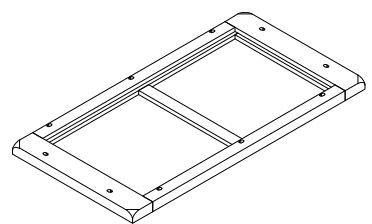
Cx1- RIGHT SIDE



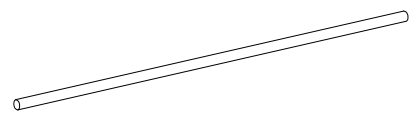
Ex1- BACK FRAME



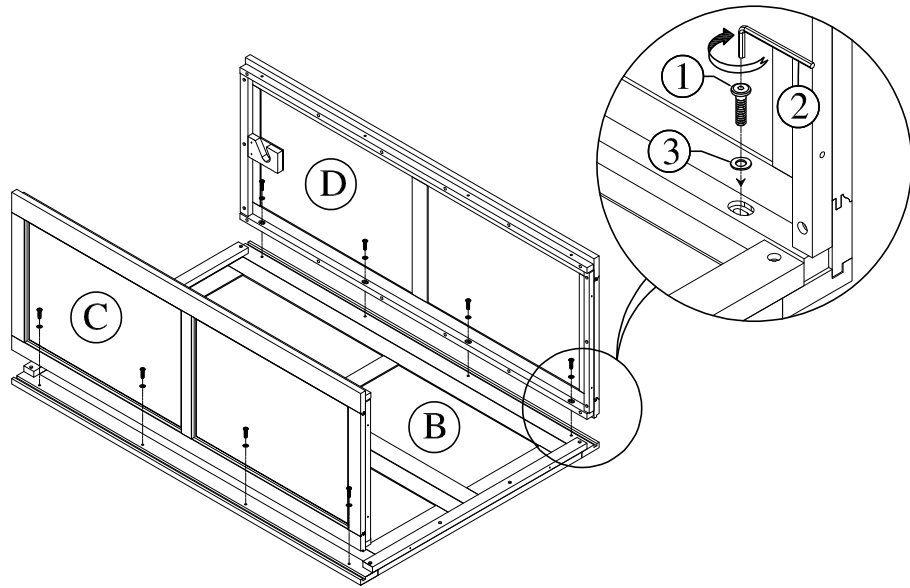
Dx1 - LEFT SIDE



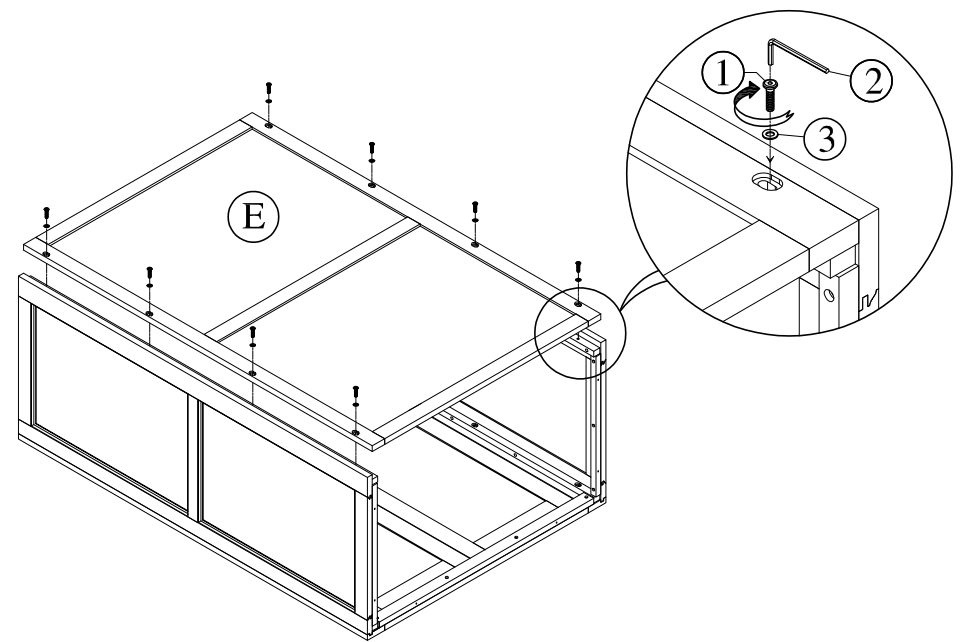
Fx1 - TOP FRAME



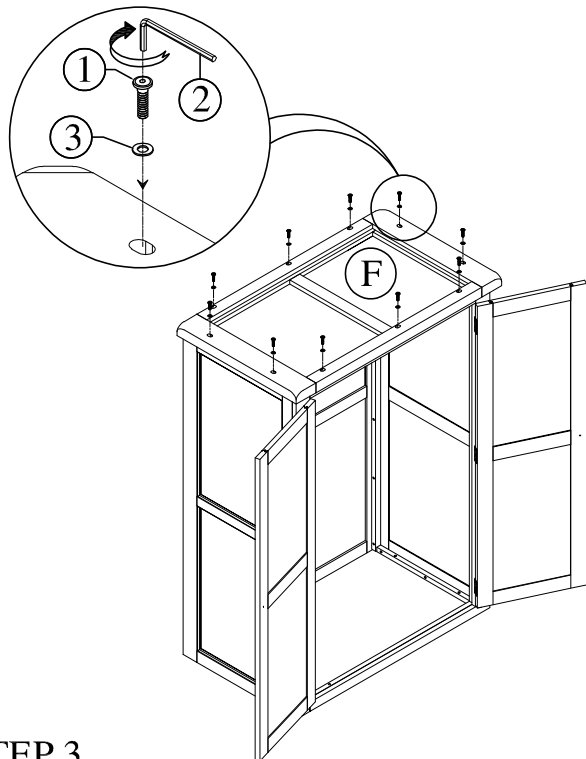
Gx1 - HANGING RAIL



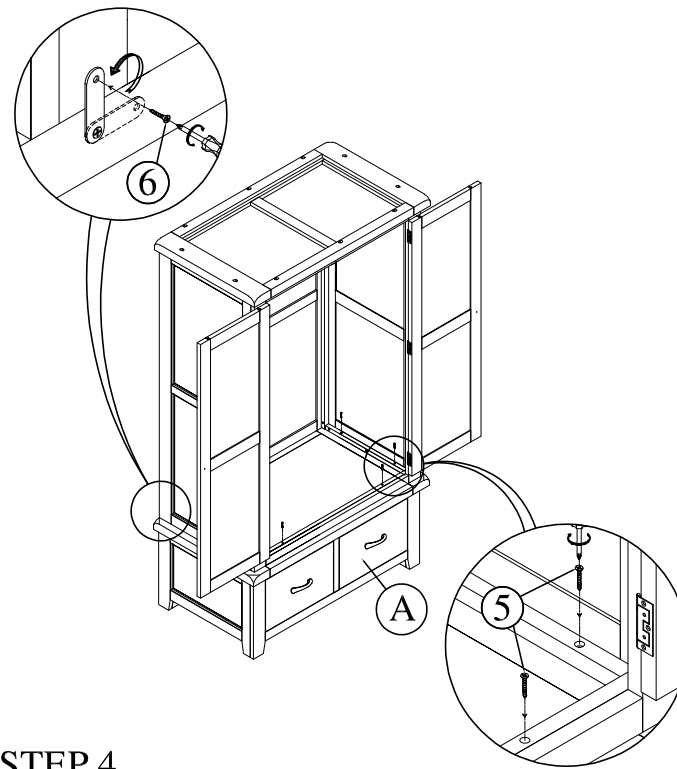
STEP 1



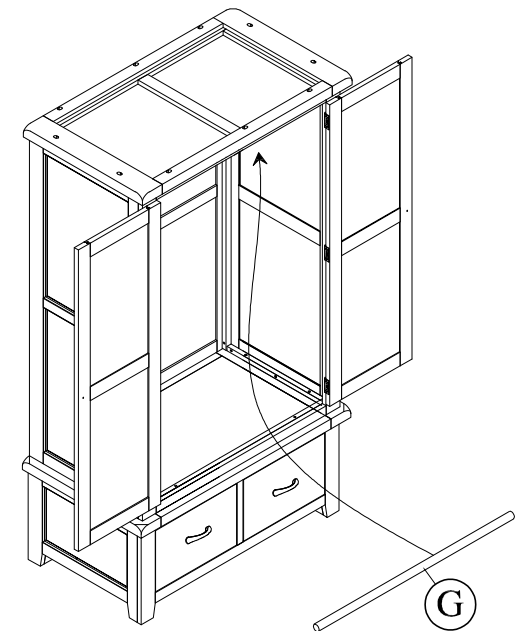
STEP 2



STEP 3



STEP 4



STEP 5

FINAL