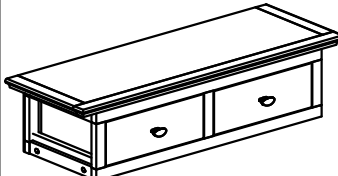


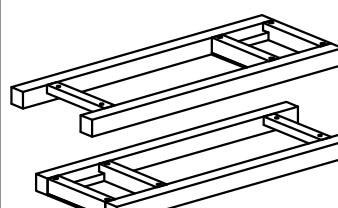
# ASSEMBLY INSTRUCTION

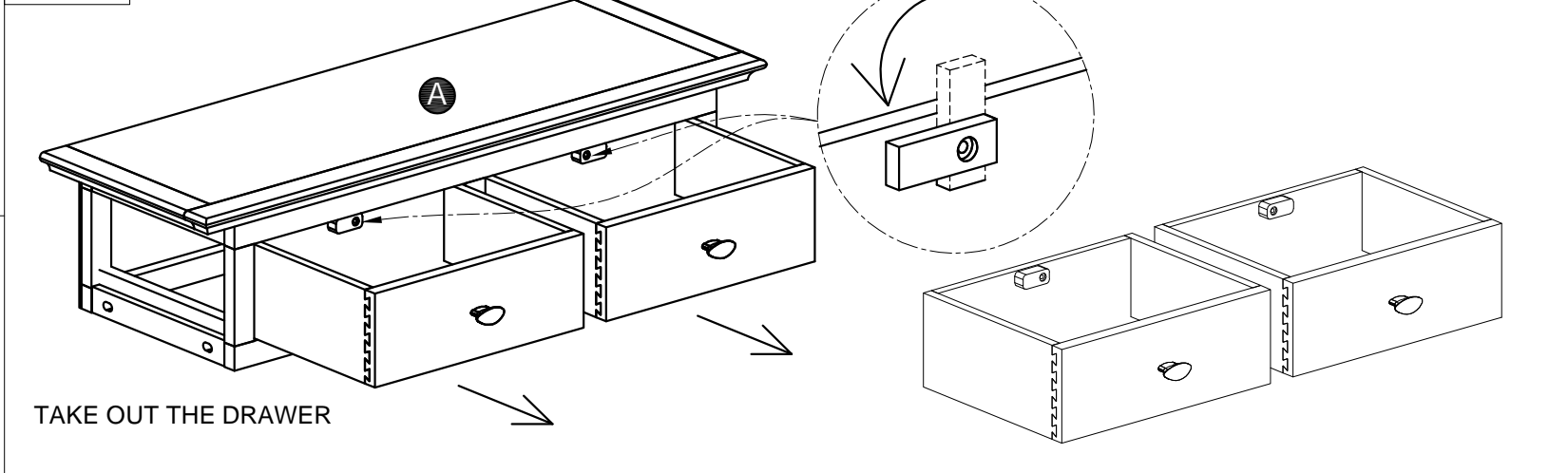
## MOR079-CONSOLE TABLE WITH 2 DRAWER


No	Name of Component	Q.ty
----	-------------------	------

### STEP 1








<b>A</b>	 Top Frame	1
----------	--	---

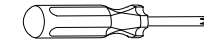
<b>B</b>	 Leg Frame	2
----------	--	---

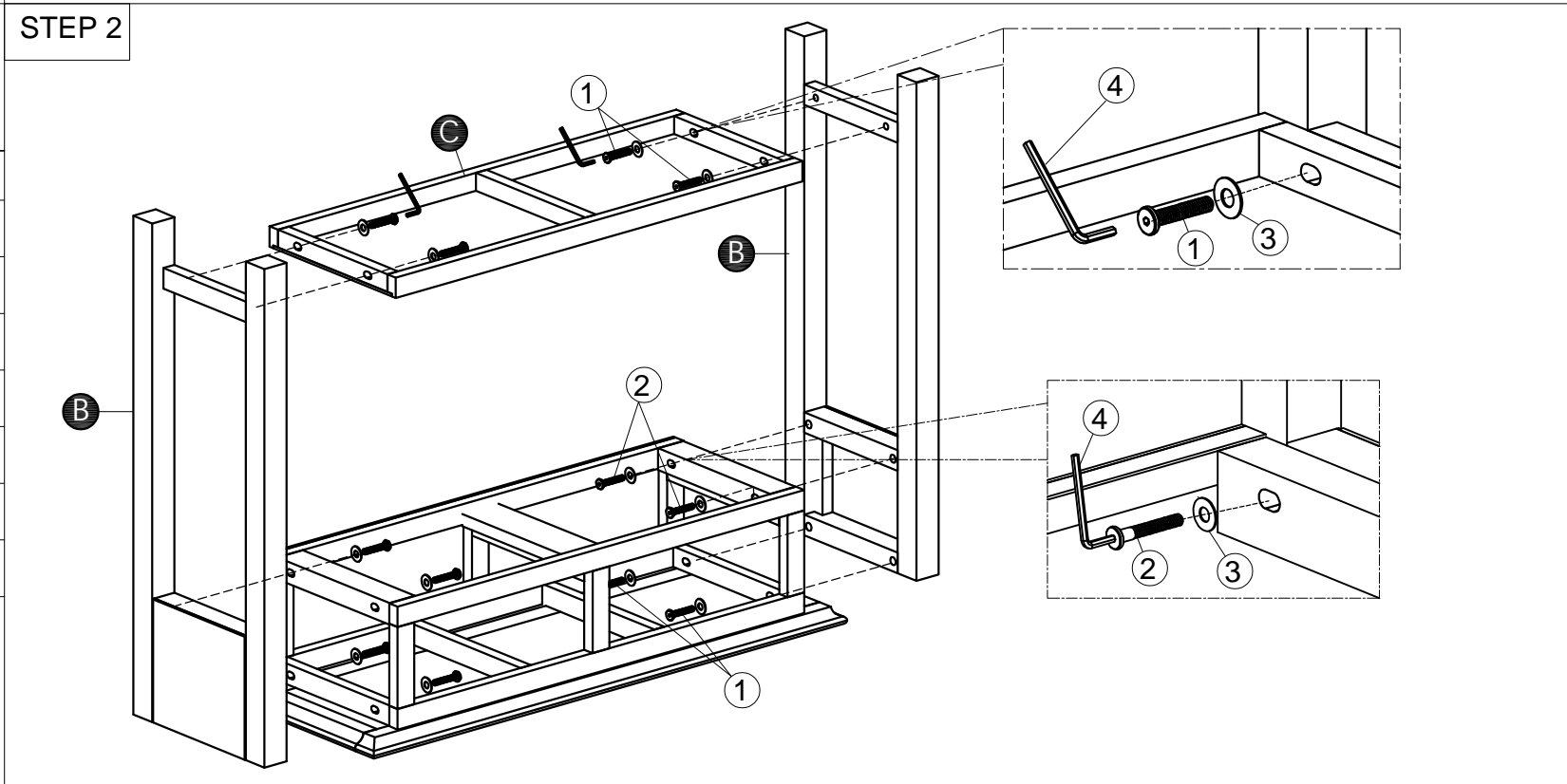


<b>C</b>	 Shelf Frame	1
----------	--	---

### STEP 2

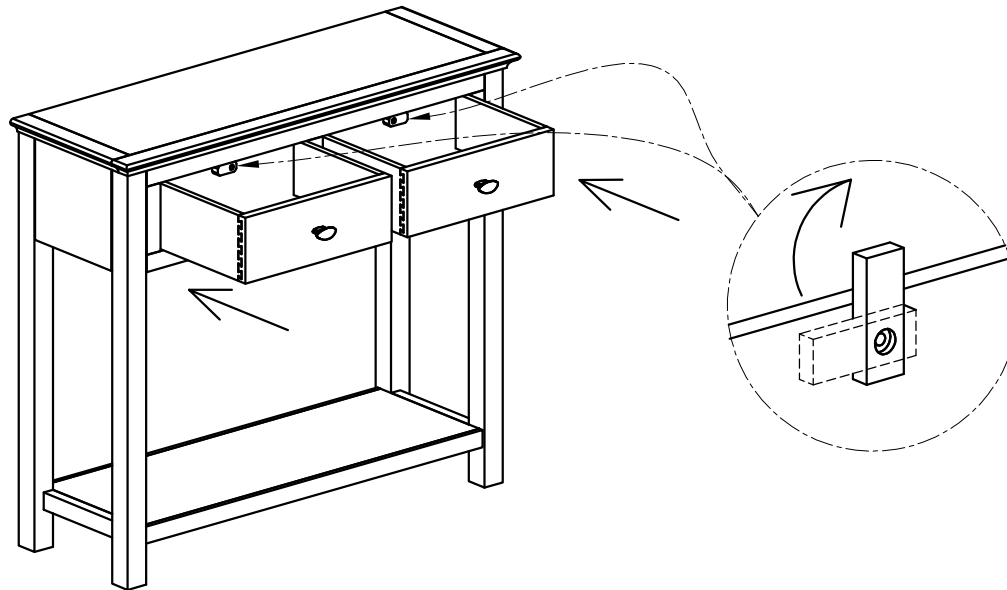
No	Name of Hardware	Q.ty
<b>1</b>	Bolts M6x35 	8
<b>2</b>	Bolts M6x60 	4
<b>3</b>	Flat Washers 	12
<b>4</b>	Allen key K4 	1
<b>5</b>	Plastic bracket 	2
<b>6</b>	Tie 	1
<b>7</b>	Screw Ø4x20 	2

Screwdriver (not included) 
--

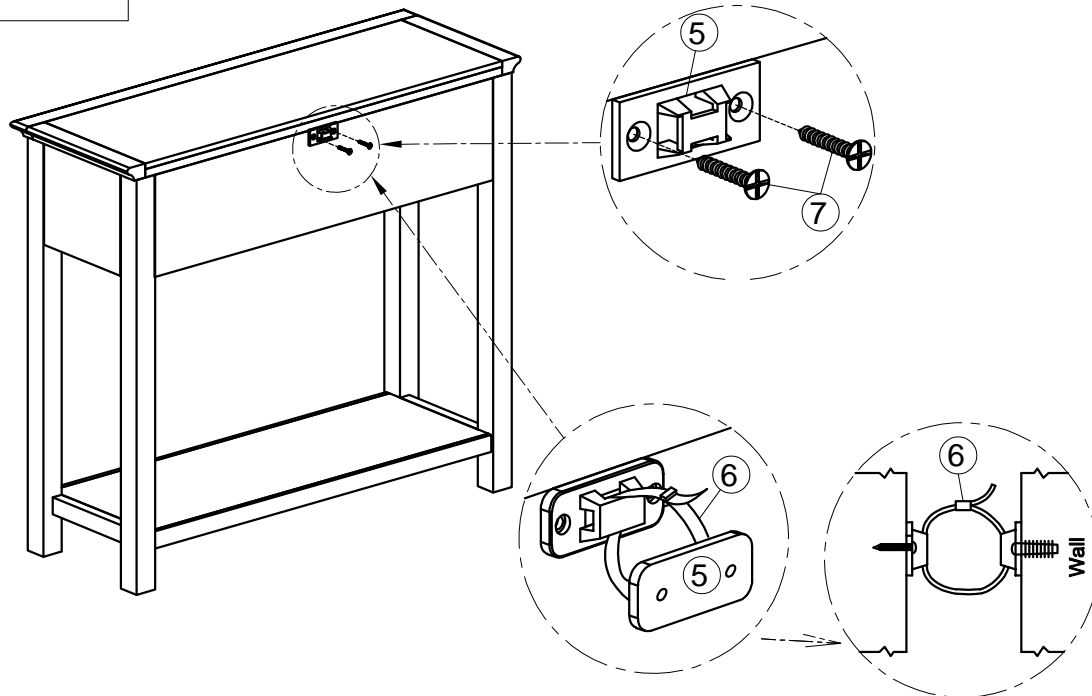


ASSEMBLY INSTRUCTION  
MOR079-CONSOLE TABLE WITH 2 DRAWER

STEP 3



STEP 5



FINAL

