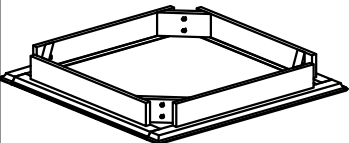
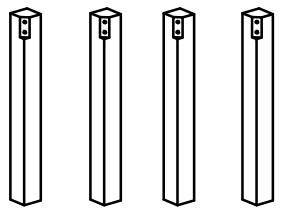






# ASSEMBLY INSTRUCTION

## MOR145-FIXED TOP 80 X 80 TABLE KD

No	Name of Component	Q.ty	STEP 1
----	-------------------	------	--------

<b>A</b>		1	
	Top Frame		

<b>B</b>		4	
	Legs		

No	Name of Hardware	Q.ty
<b>1</b>	Bolts M10x60 	8
<b>2</b>	Spring Washers 	8
<b>3</b>	Flat Washers 	1
<b>4</b>	Wrench 	1

