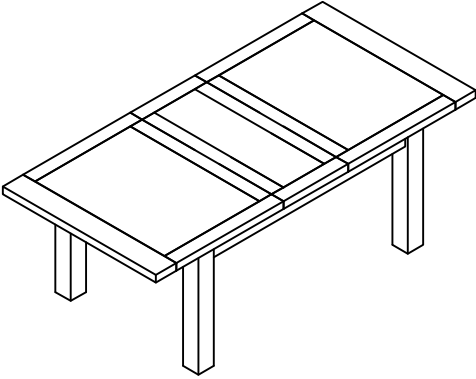
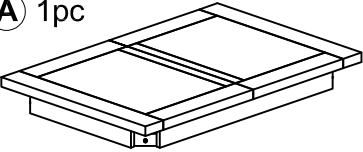
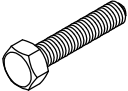
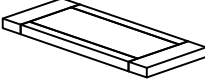

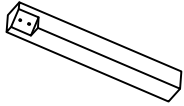


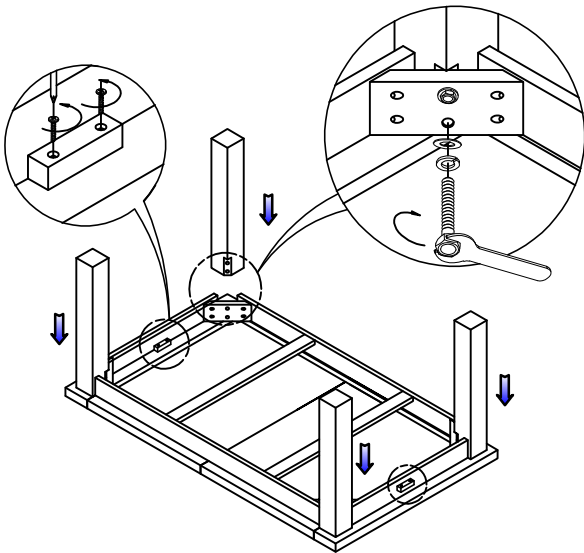


# ASSEMBLY INSTRUCTION

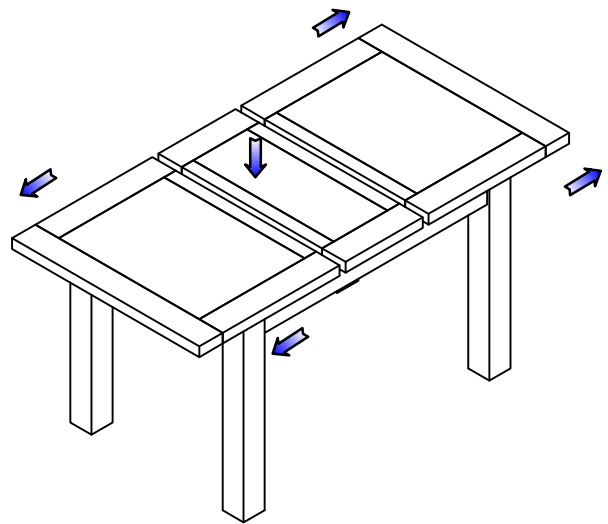
DINING TABLE WITH 1 EXTENSION 120-153 x 80

PART LIST	HARDWARE LIST	
<b>A</b> 1pc 	<b>1</b> M10x50 8pcs 	
<b>B</b> 1pc 	<b>2</b> M10/M23 8pcs 	
<b>C</b> 4pcs 	<b>3</b> M10 8pcs  <b>4</b> K17 1pc 	

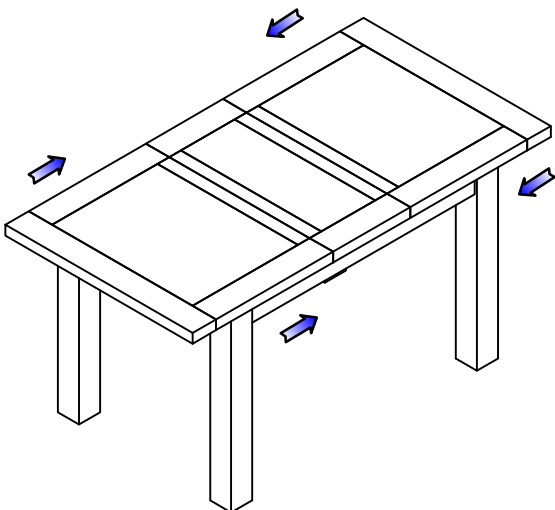
**STEP 1** Transit fixing to be unscrewed.  
Unscrew middle screw holding fixing to underside of top at each end of table.



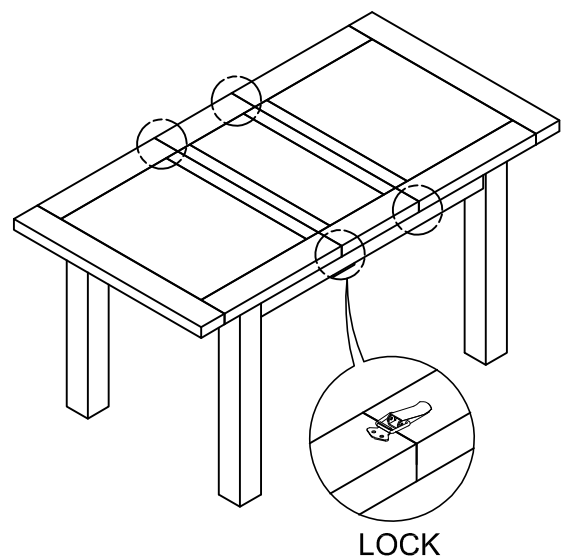
**STEP 2**



**STEP 3**



**STEP 4**



Do not drag or push assembled table as this can cause damage to the legs

## **TRANSIT FIXING TO BE UNSCREWED**

**UNSCREW MIDDLE SCREW HOLDING FIXING TO  
UNDERSIDE OF TOP AT EACH END OF TABLE.**

**The block can remain attached to the underside of the frame as it's unseen and will only leave a screw hole in the underside of the table top at each end.**