

# BEFORE YOU GET STARTED...

*We're confident you'll love your gorgeous new Next furniture. However, it's worth making absolutely certain before you put it all together.*

*So, let's quickly run through these three steps:*

## 1. COLOUR

Make sure you're happy with the colour  
No need to unpack everything, just check the first component.

## 2. PROTECTIVE PACKAGING

If you're happy, then it's time to get opening! Start by laying everything out on the protective packaging – this will prevent anything getting scratched.

## 3. PARTS PAGE

Finally, double check you have all the pieces by referencing the parts page of the instructions.

## TIPS FOR RETURNS

Not completely happy with the product? No problem. We just need everything back in the original packaging, so follow the steps below and this will ensure a super-smooth returns process and no delay to your refund.

DO



- Check everything is there (the 'parts page' is a handy checklist).
- Pop all the loose fittings and fixtures into the packaging provided or tie them up in a plastic bag.
- Wrap all the big components back up in the original protective packaging.
- Close up the box and seal it securely (don't be afraid to use plenty of tape).

DON'T



- Leave anything assembled - all components should be dismantled and separately packed.
- Put loose fixtures and fittings straight into the box.
- Throw it back in the box carelessly – as it may get damaged.

**NEXT  
HOME**

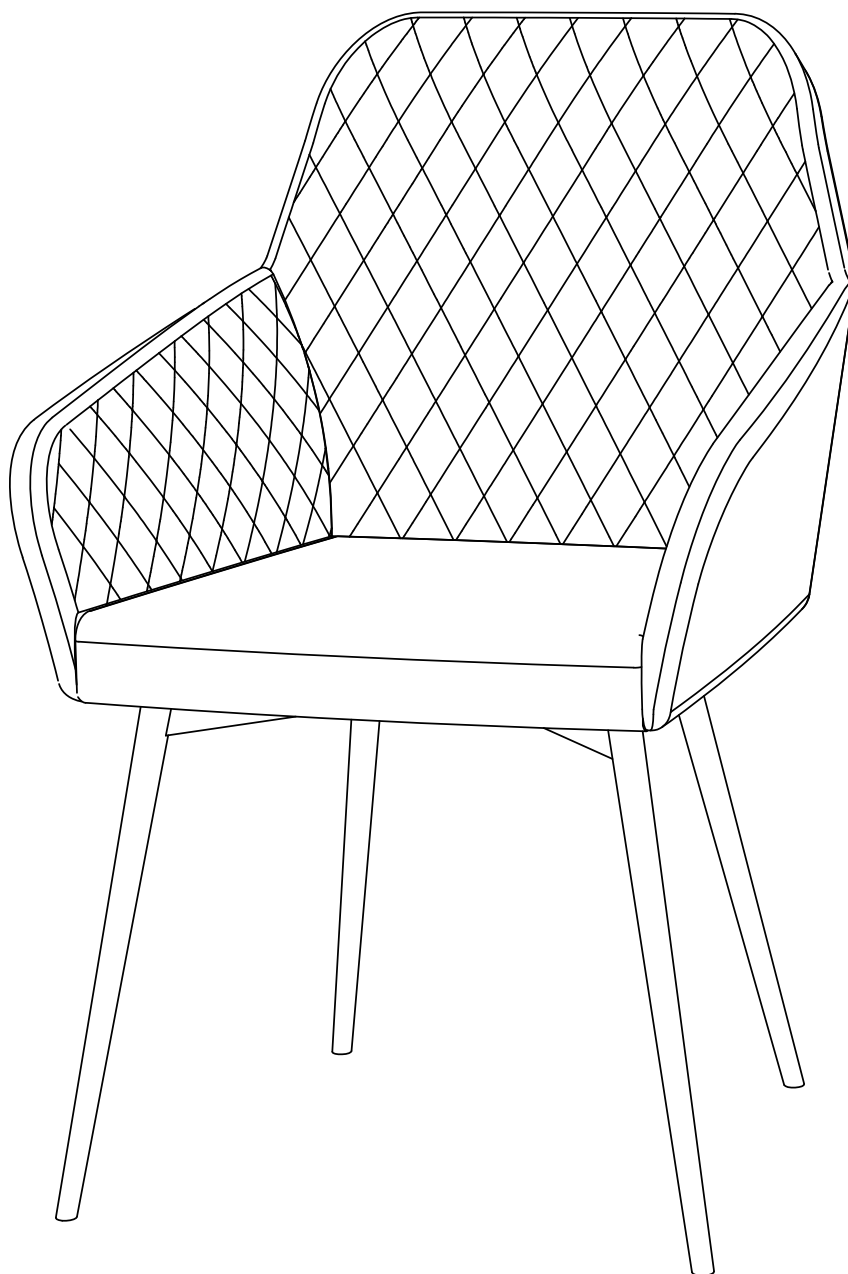
Then just give us a call on 0333 777 8999 and we'll sort out a pick up time for you.

**NEXT**

# HAMILTON ARM DINING CHAIR

Assembly instructions

**Actual product size**  
H84.5 x W58 x D59cm



**Need Help?**

With: Assembly instructions  
Missing or damaged parts

**CALL: 0333 777 8999**

**IMPORTANT – RETAIN FOR FUTURE REFERENCE**

## BEFORE YOU START

### Number of people required to assemble

One person is required to assemble this item.

### Tools required

Time to assemble: 30mins



### Missing parts

If you are missing any fixtures and fittings for your product, please contact our customer service team on **0333 777 8999**, and they will be happy to arrange for a replacement to be sent to you free of charge.

### Home service technicians

If you have a fault with your product please contact our customer service team on **0333 777 8999**. If you have had the product for 28 days or less you may be offered a replacement, refund or for a fully trained home service technician to visit your home to assess the fault and repair the product where possible. If you have had the product for more than 28 days we will send an independant home service technician to review and repair the product where possible and recommend further action.

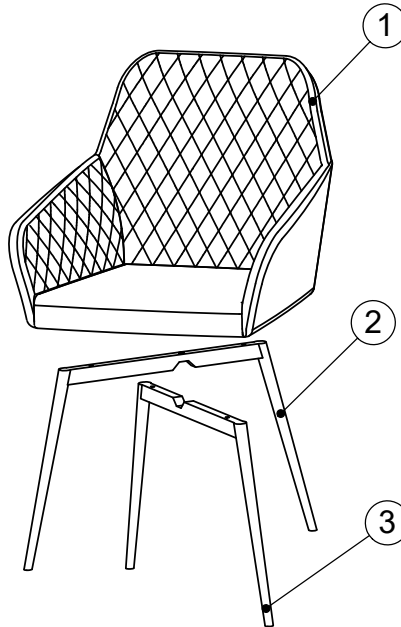
### You can write to us at

Home Customer Services  
Next Retail Ltd,  
Desford Road,  
Leicester,  
LE19 4AT

Item No.	Description	Composition
587877	Monza Charcoal	Face 100% Polyurethane, Base 65% Polyester, 35% Cotton
590404	Opulent Velvet Graphite	64% polyester 36% cotton
590563	Faux Leather Tan	Face 100% Polyurethane, Base 65% Polyester, 35% Cotton
556121	Opulent Velvet Blush	64% polyester 36% cotton
546621	Opulent Velvet Emerald	64% polyester 36% cotton
505859	Opulent Velvet Navy	64% polyester 36% cotton
520823	Opulent Velvet Plum	64% polyester 36% cotton
606304	Faux Leather French Dark Grey	Face 100% Polyurethane, Base 65% Polyester, 35% Cotton
301446	Monza Silver	Face 100% Polyurethane, Base 65% Polyester, 35% Cotton
308099	Monza Grey	Face 100% Polyurethane, Base 65% Polyester, 35% Cotton
629845	Lucca Faux Leather Navy	65% resin, 35% fabric Backing fabric: 82% polyester 18% cotton
625174	Opulent Velvet Pebble	100% polyester
645243	Wool Blend Grey	51% wool, 30% viscose, 19% polyester
621293	Opulent Velvet Ochre	100% polyester
598046	Opulent Velvet Black	100% polyester
206861	Opulent Velvet Silver	100% polyester
248968	Opulent Velvet Dark Navy	100% polyester
235288	Opulent Velvet Dark Teal	100% polyester
234775	Vittoria Faux Leather Dark Grey	Face 100% Polyurethane, Base 65% Polyester, 35% Cotton
996429	SOFT MARL PETROL BLUE	100% polyester
941739	SOFT MARL WARM GREY	100% polyester
989416	VINTAGE VELVET MARINE	100% polyester
477196	VINTAGE VELVET PEPPERCORN	100% polyester
927367	VINTAGE VELVET BLUSH	100% polyester
239887	OPULENT VELVET AIRFORCE	100% polyester
866086	OPULENT VELVET IVY GREEN	100% polyester
M35464	OPULENT VELVET STEEL	100% polyester
M47346	MONZA LIGHT GREY	Face 100% Polyurethane, Base 65% Polyester, 35% Cotton
M29625	MONZA PEPPERCORN	Face 100% Polyurethane, Base 65% Polyester, 35% Cotton
M29633	MONZA MINK	Face 100% Polyurethane, Base 65% Polyester, 35% Cotton
M47176	MONZA DARK GREY	Face 100% Polyurethane, Base 65% Polyester, 35% Cotton
M67547	ARONA FAUX LEATHER NAVY	Face 100% Polyurethane, Base 65% Polyester, 35% Cotton
812809	OPULENT VELVET GINGER	100% polyester
C27791	SOFT VELVET MID GREY	100% polyester
C20304	SOFT VELVET EMERALD GREEN	100% polyester
U75068	SOFT VELVET NAVY	100% polyester
C71595	SOFT VELVET OCHRE YELLOW	100% polyester
U63436	SOFT VELVET BLACK	100% polyester
U75069	SOFT VELVET TEAL BLUE	100% polyester
U75067	SOFT VELVET RUST BROWN	100% polyester
C36171	SOFT VELVET MID GREY	100% polyester

To View our full furniture range please visit [www.next.co.uk](http://www.next.co.uk)

### GETTING TO KNOW YOUR PRODUCT



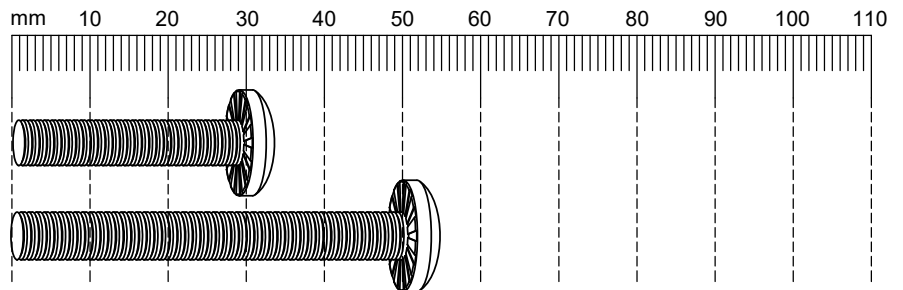
Components supplied. Please use this guide if you require replacement parts.

Ref	Dimensions	Visual	Qty	Ctn
1	58x46cm		1	1
2	67x40cm		1	1

Ref	Dimensions	Visual	Qty	Ctn
3	67x40cm		1	1

Fixtures and fittings supplied (actual size)

Ref	Dimensions	Qty	*Extra Fittings
A	M6 x 30mm	1	1
G	M6 x 50mm	4	1

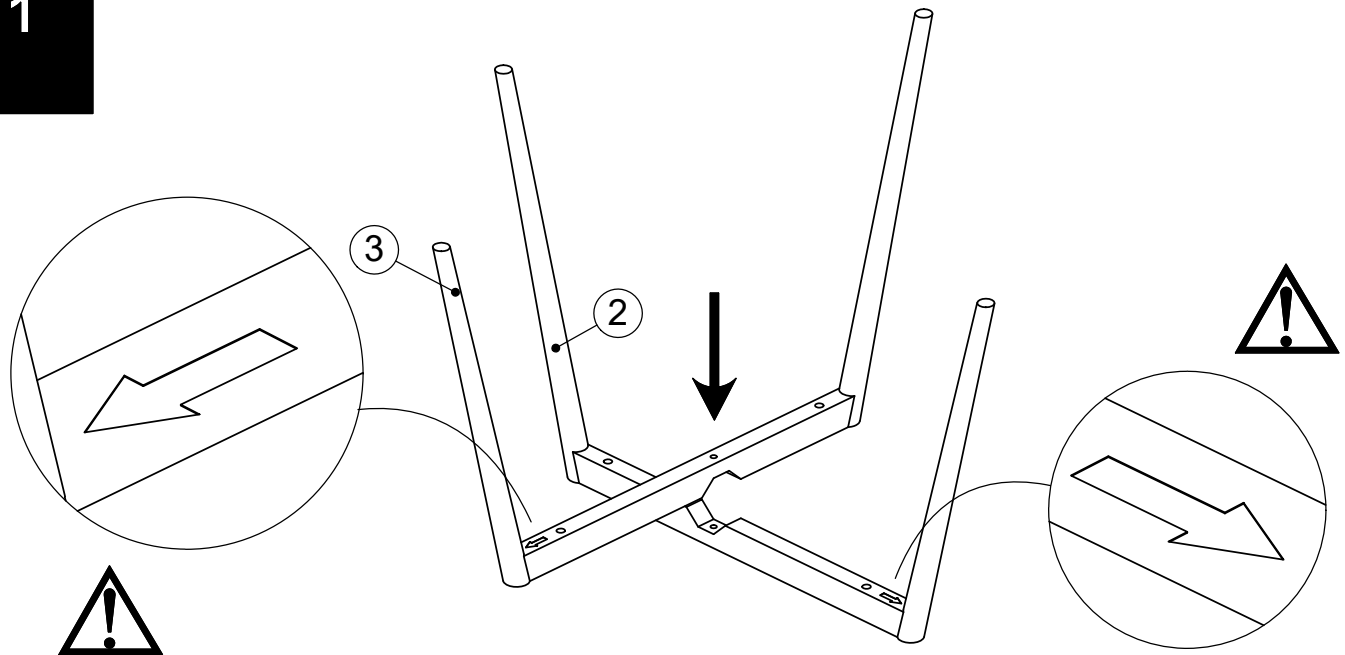


Fixtures and fittings supplied(not to scale)

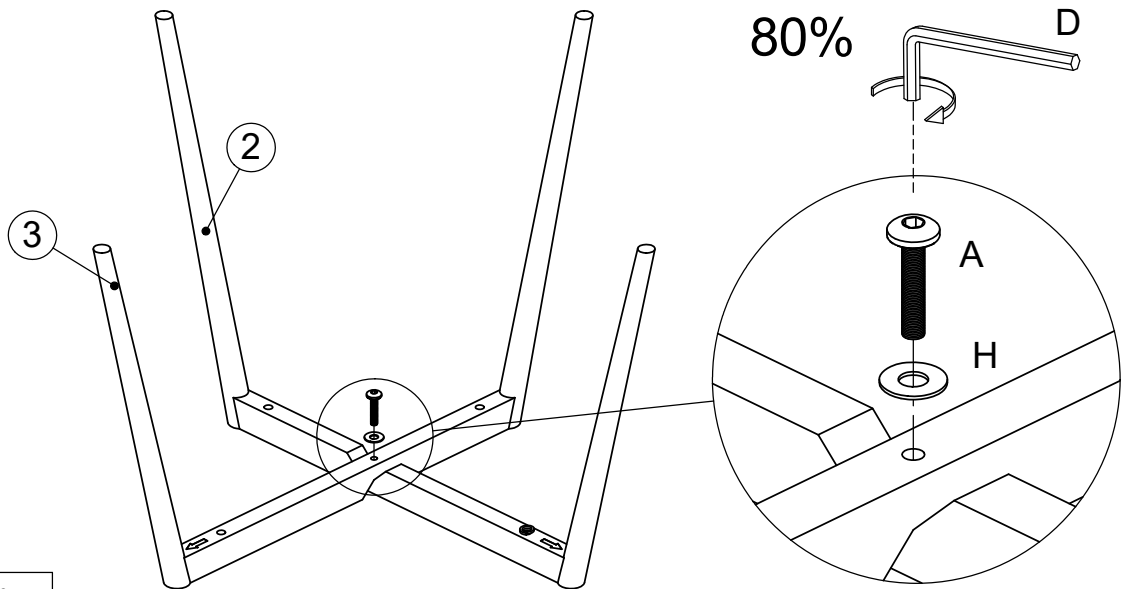
Ref	Dimensions	Visual	Qty
D	5mm		1

Ref	Dimensions	Visual	Qty	*Extra Fittings
H	18mm		5	1

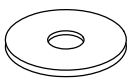
1



2



H x 1 18mm



D x 1 5mm

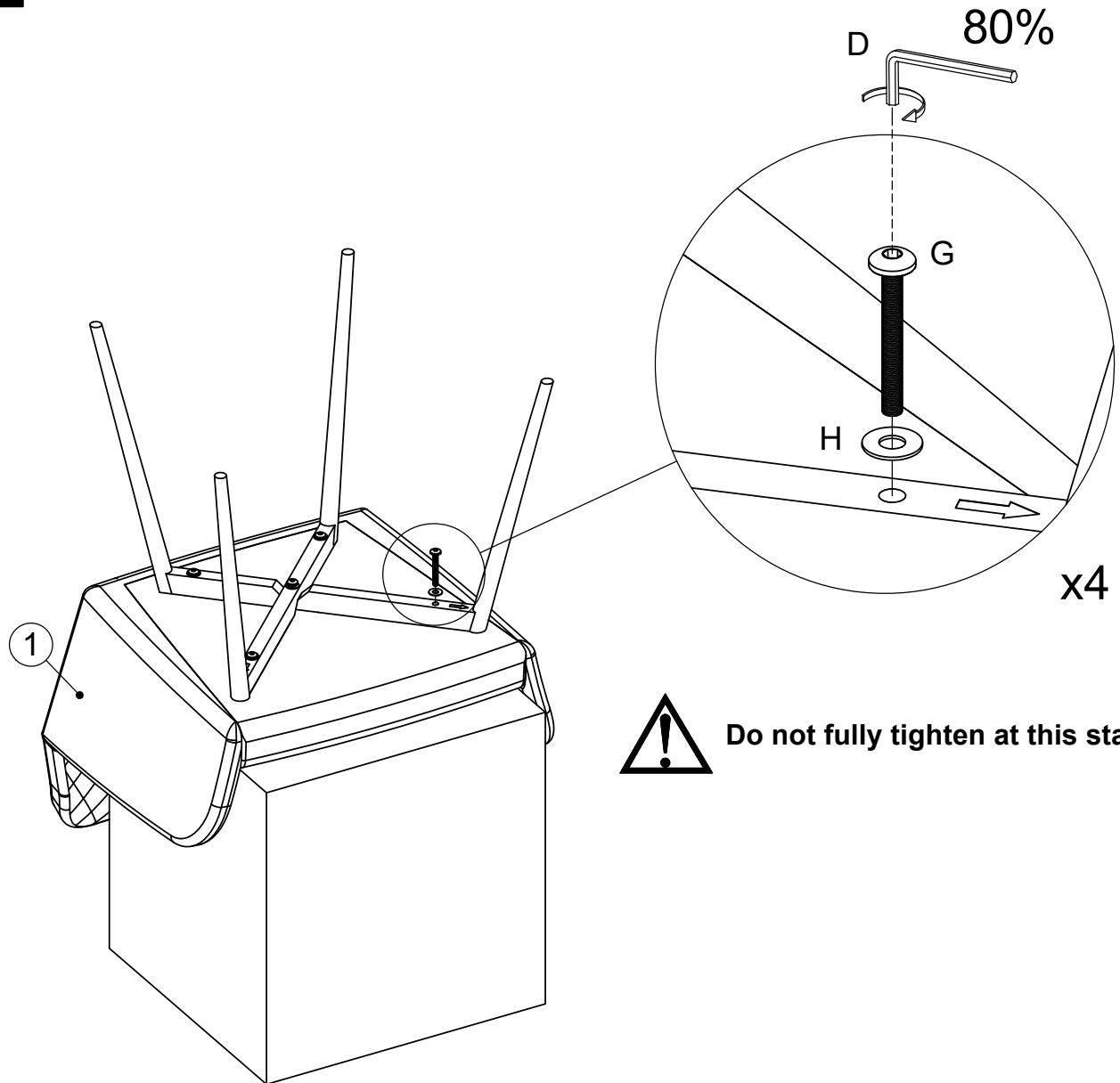


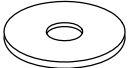


A x 1 6 x 30mm



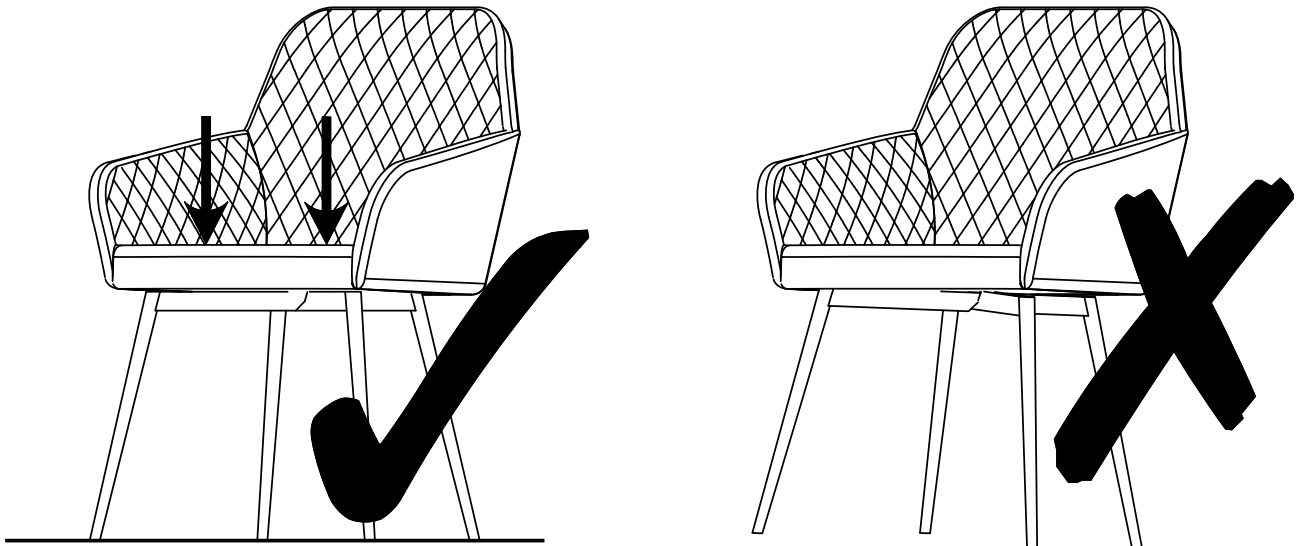
**Do not fully tighten at this stage.**

3

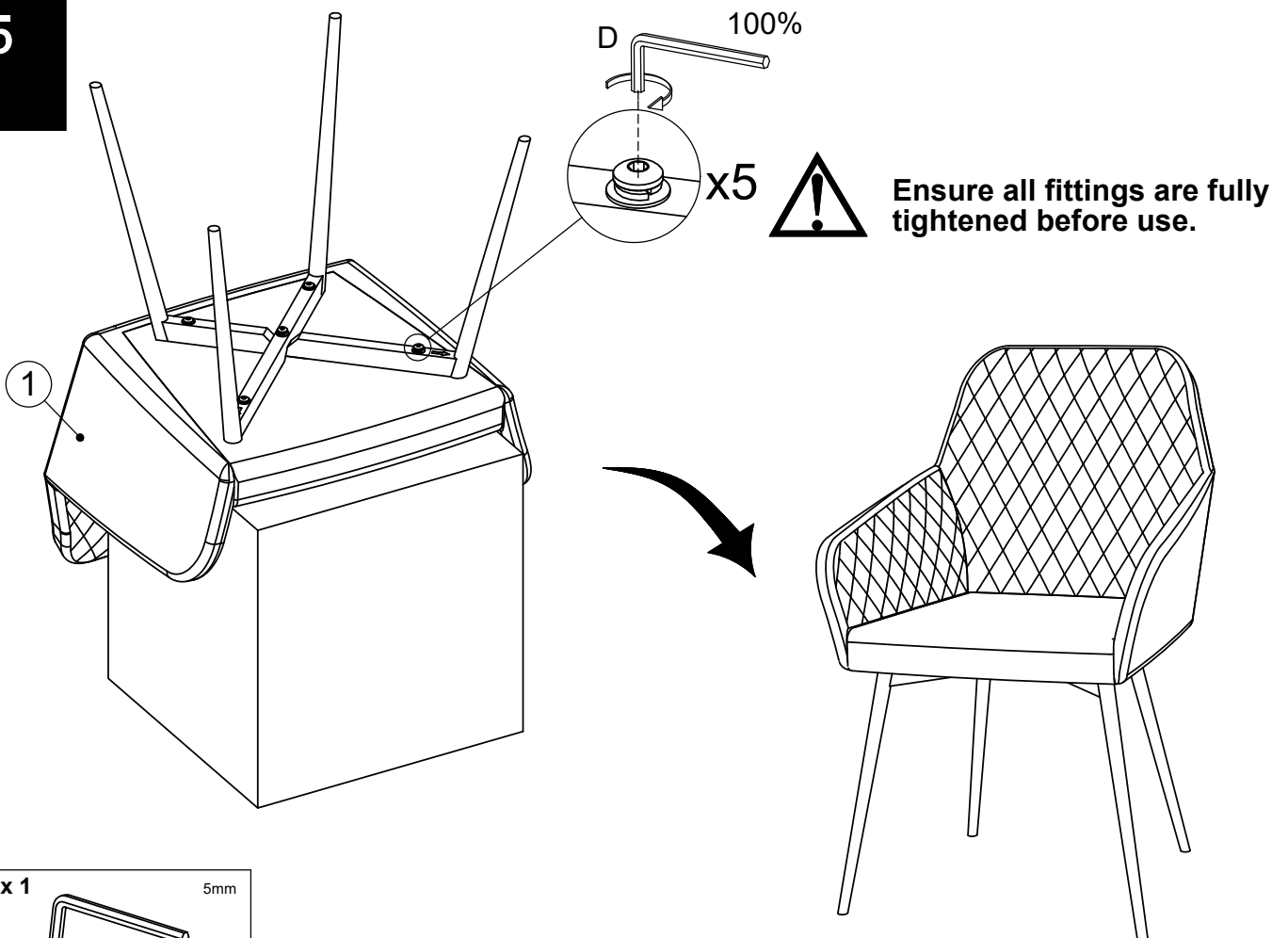


<b>H x 4</b>	18mm
	
<b>D x 1</b>	5mm
	
<b>G x 4</b>	6 x 50mm
	

4



5





# HAMILTON ARM DINING CHAIR

## Assembly instructions

### Warnings

We suggest you retain these instructions for future reference.

Keep fittings out of children's reach and keep children well away from construction area.

This product should only be used on firm, level ground.

Please periodically check all fittings and re-tighten as necessary.

Please do not stand or lean back on your furniture.

Avoid exposing the furniture to excessive heat or direct sunlight as this can cause cracking of the wood and deterioration of the colour.

Keep away from strong heat sources.

Do not use this item if components are missing or broken.

### Do's

We suggest you spend a short time reading through this leaflet before you start .

When you are ready to start, make sure that you have the right tools and plenty of space .

Unwrap all packaging materials and place the components on a clean surface to protect it from damage. We recommend that the packaging is used to protect the surfaces during assembly.

Carefully check that you have all the parts before beginning assembly.

Ensure the product is fully assembled as illustrated and all fixings fully tightened before use.

Check fixings regularly to ensure they remain tight and legs / feet are secure.

Always ensure that floor protectors are used on the legs according to your flooring type.

To clean your items, please lightly wipe with a slightly dampened cloth.

For leather items dust regularly with a soft cloth, preferably once a week, to keep the leather pores free from dust particles.

For velvet items use a soft brush lightly dress the fabric. Lightly wipe with a slightly dampened cloth to clean.

For velvet items avoid scratching the fabric as the pile may not recover and permanently mark it.

### Don'ts

When moving furniture never drag the pieces across the floor, as this will cause damage to the joints or potential damage to the floor.

Apply Adhesive substrates for example, sticky tape to the product .

Do not use silicone based furniture polish. Silicone in furniture polishes can break down the lacquer finish.

Never allow any kind of liquid to remain on your furniture. Absorption can cause finishes to de-laminate and or stain.

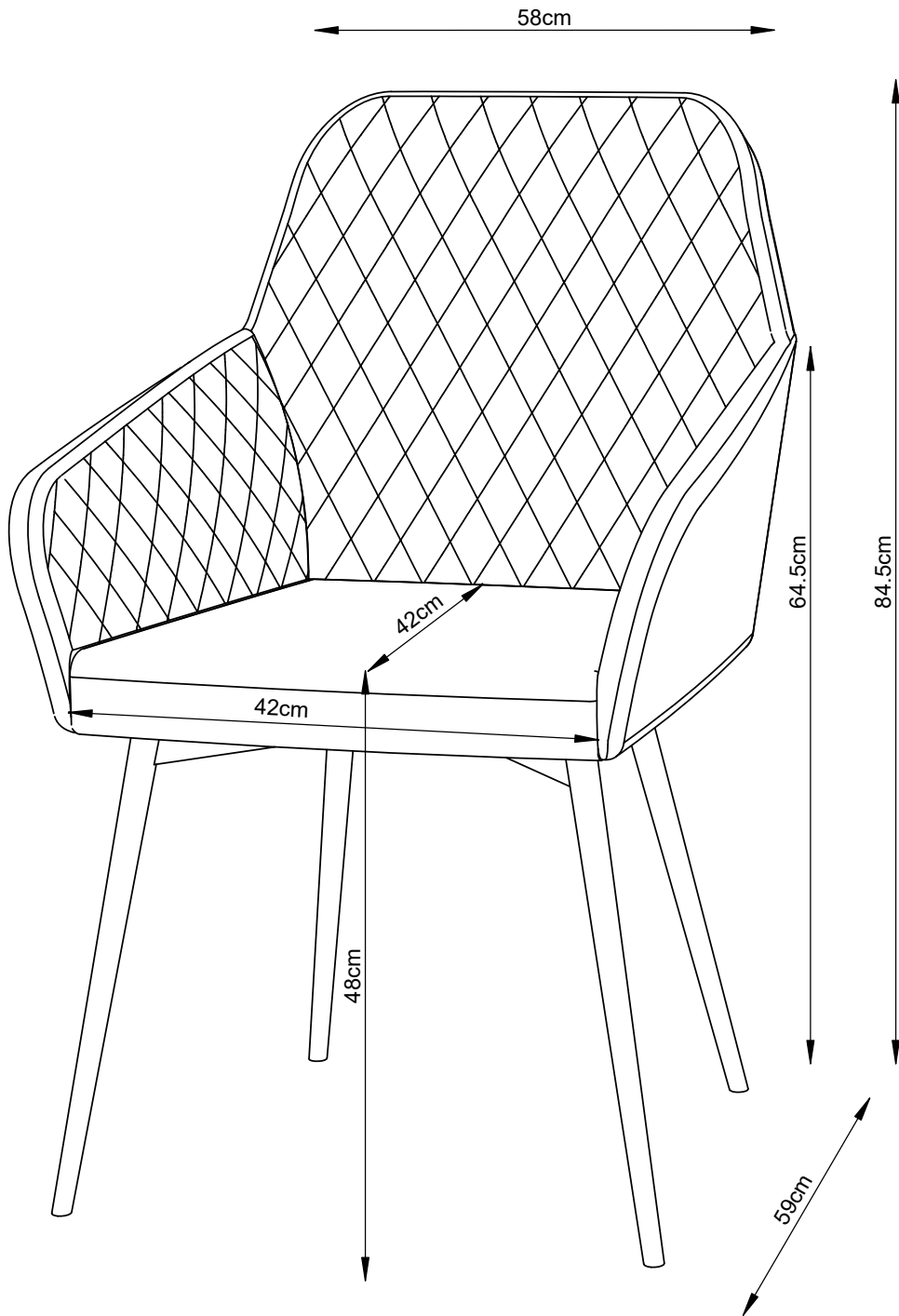
Please do not stand or lean back on your furniture.



**NEXT**

# HAMILTON ARM DINING CHAIR

Assembly instructions



**NEXT**

# HAMILTON ARM DINING CHAIR

Assembly instructions

